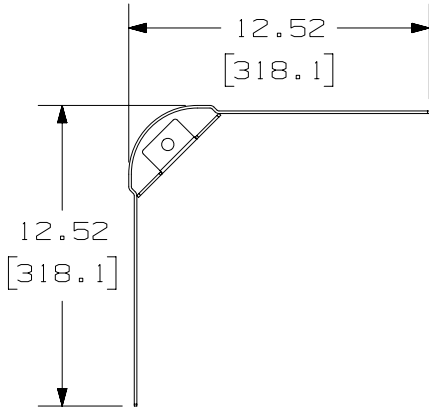


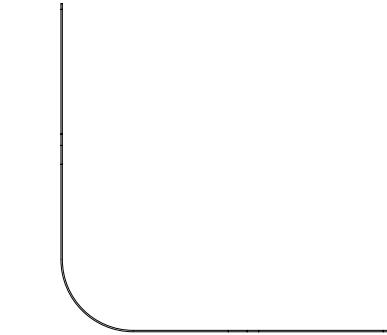
THIS COPY IS PROVIDED ON A RESTRICTED BASIS AND IS NOT TO BE USED IN ANY WAY DETRIMENTAL TO THE INTERESTS OF PANDUIT CORP.

NOTES:

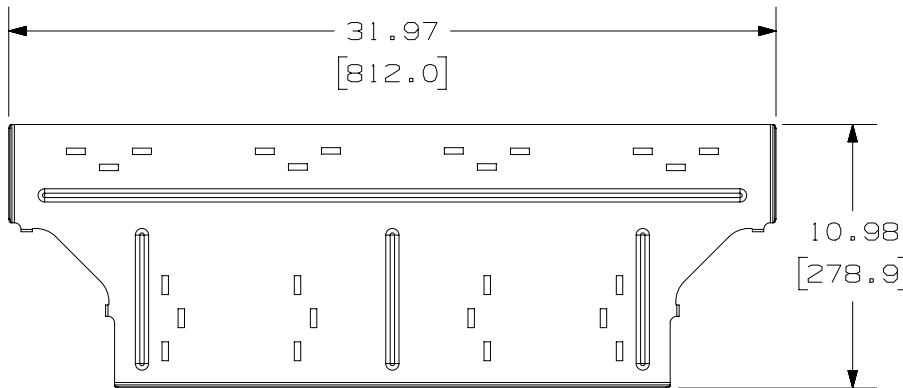
1. VISIT OUR ON-LINE CATALOG AT WWW.PANDUIT.COM FOR A LIST OF CURRENT PARTS APPLICABLE FOR USE WITH THIS PRODUCT.
2. DIMENSIONS IN [] ARE METRIC.
3. ALL MATERIALS AND COMPONENTS USED MEET THE MATERIAL RESTRICTIONS OF RoHS (EUROPEAN DIRECTIVE 2011/65/EU ON THE RESTRICTION OF HAZARDOUS SUBSTANCES) AS PROPOSED BY THE RoHS TECHNICAL ADAPTATION COMMITTEE.
4. PART INCLUDES:
 - 1- TEE BASE
 - 2- SUPPORT BRACKET
 - 2- BEND RADIUS PROTECTOR
 - 8- C-CLIPS
 - 16- KEPS NUTS
 - 4- CABLE TIE
 - 8- PLASTIC RIVET
 - 8- CARRIAGE BOLT
 - 8- PLATE CLAMP



SUPPORT BRACKET



BEND RADIUS PROTECTOR



TEE BASE

PART NUMBER	NOMINAL SIDEWALL HEIGHT	FINISH	WEIGHT
PWBPF2X24BL	2" (50mm)	BLACK POWDER	8.5 LBS/EACH (3855.6) g/EACH
PWBPF2X24WH		WHITE POWDER	
PWBPF2X24EZ		CLEAR ZINC	
PWBPF4X24BL	4" (100mm)	BLACK POWDER	8.7 LBS/EACH (3946.3) g/EACH
PWBPF4X24WH		WHITE POWDER	
PWBPF4X24EZ		CLEAR ZINC	
PWBPF6X24BL	6" (150mm)	BLACK POWDER	8.9 LBS/EACH (4037) g/EACH
PWBPF6X24WH		WHITE POWDER	
PWBPF6X24EZ		CLEAR ZINC	

TITLE WIRE BASKET FORMED TEE FITTING 24" (600mm) W										
CUSTOMER DRAWING										
ITEM REVISION NAME 00510JAQ/00					PANDUIT					
DATASET FILE NAME 00510JAQ_DC/00C										
MATERIAL C.R.S.										
DRAWN BY JSP					DATE 6/1/21		CHK WJM		SCALE NONE	
DRAWING NUMBER 00510JAQ-DC					SHEET 1 OF 1					
REV					DATE		BY		APR	
DESCRIPTION					ECN		SIZE		A	

REV	DATE	BY	CHK	APR	DESCRIPTION	ECN
00C	12-15-23	SAT	DWR	EB	D. ADDED METRIC HEIGHTS. B. UPDATED TITLE. C. REMOVED P/N FROM TITLEBLOCK.	00510JAQ-DC
00B	4/18/22	JSP	WJM	ML	A. UPDATED COMPONENT LIST.	00510JAQ-DC
00A	6/1/21	JSP	WJM	ML	INITIAL RELEASE	00510JAQ-DC

A-SIZE CUSTOMER