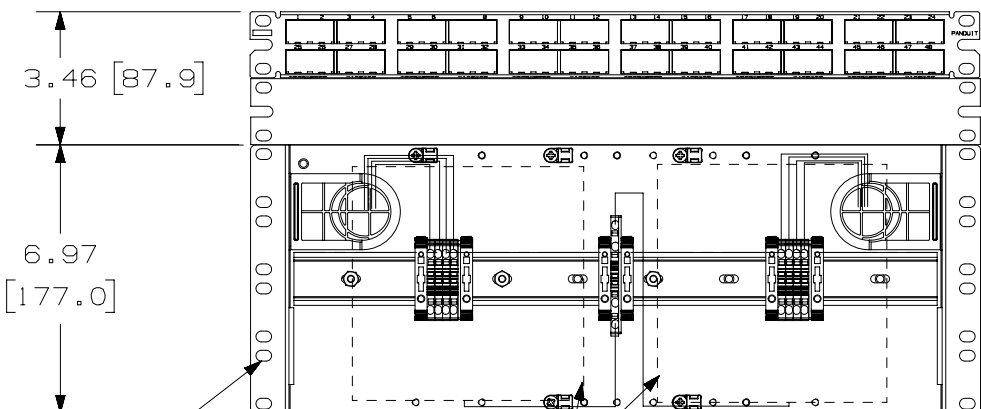


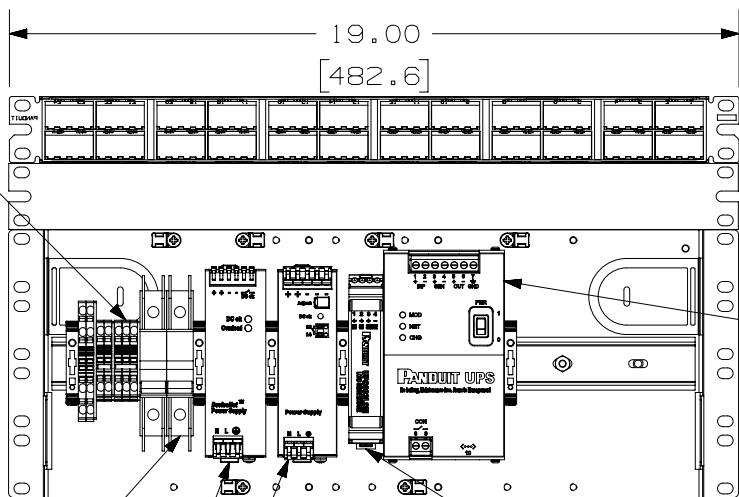
THIS COPY IS PROVIDED ON A RESTRICTED BASIS AND IS NOT TO BE USED IN ANY WAY DETRIMENTAL TO THE INTERESTS OF PANDUIT CORP.



4RU DIN RAIL MOUNT BRACKET (IABDIN4)

(2) SWITCH MOUNTING LOCATIONS REMOVE TERMINAL BLOCKS FOR SWITCH INSTALLATION

FRONT VIEW



WEIDMULLER P-TYPE TERMINAL BLOCKS FOR INCOMING POWER (100-240 VAC 50-60HZ)

WEIDMULLER CIRCUIT BREAKERS (BR1D5UC)

PULS 91.2W 24 VOLT DC POWER SUPPLY (QS5.DNET)

PULS 240W 24 VOLT DC POWER SUPPLY (CP10.241-S1)

PANDUIT LOAD SENSING MODULES (UPS003LSM)

1RU 48 PORT PATCH PANEL (CPP48HDWBLY)

1RU FILLER PANEL (DPFP1)

PANDUIT UNINTERRUPTIBLE POWER SUPPLY, 100W (UPS00100DC)

BACK VIEW

NOTES:

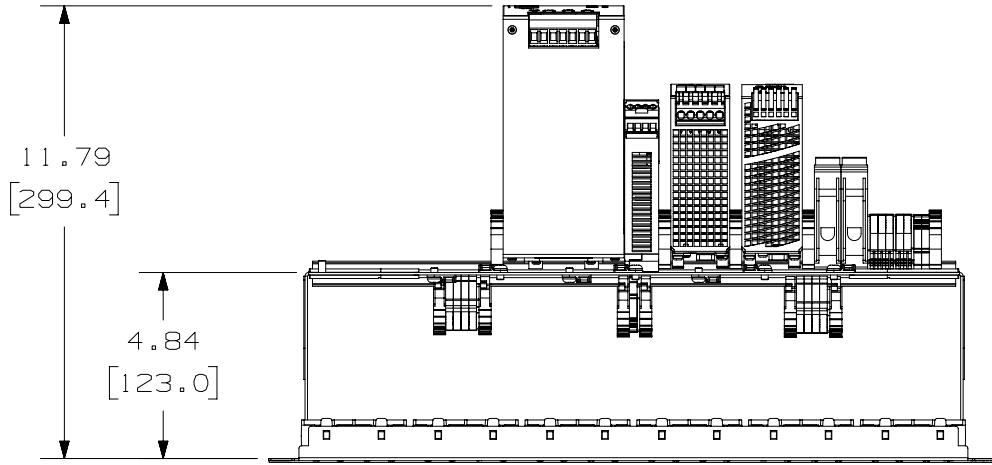
- PART INCLUDES:
 - (1) DIN RAIL MOUNT BRACKET (IABDIN4)
 - (1) PULS 91.2W 24 VOLT DC POWER SUPPLY (QS5.DNET)
 - (1) PULS 240W 24 VOLT DC POWER SUPPLY (CP10.241-S1)
 - (2) WEIDMULLER CIRCUIT BREAKERS (BR1D5UC)
 - (2) WEIDMULLER RED AND WHITE TERMINAL BLOCKS FOR INCOMING POWER (100-240 VAC 50-60HZ)
 - (1) 48 PORT PATCH PANEL (CPPL48WBLY)
 - (1) PANDUIT UNINTERRUPTIBLE POWER SUPPLY, 24 VOLT DC 100W (UPS00100DC)
 - (1) PANDUIT LOAD SENSING MODULES (UPS003LSM)
 - (2) STRAIN RELIEF BARS (SRB19MDBL AND SRB19BLY) - (NOT SHOWN)
- POWER CIRCUIT DESIGNED FOR UP TO (2) 24 VOLT DC INDUSTRIAL ETHERNET SWITCHES NOT TO EXCEED 42 WATTS PER SWITCH
- COMPLIES WITH UL508A, WHEN INSTALLED PER PANDUIT INSTRUCTIONS
- CLASS 2 POWER CIRCUITS ARE PRE-WIRED, LABELED, AND TESTED.

TITLE									
UNIVERSAL IDF, 100-240VAC IN, (2) PAN UPS 100W, HIGH DENSITY PATCH PANEL									
CUSTOMER DRAWING									
ITEM REVISION NAME					00157EDF/01				
DATASET FILE NAME					00157EDF_DC/01A				
MATERIAL					N/A				
DRAWN BY					RHG				
DATE					4/16/18				
CHK					EHA				
SCALE					NONE				
DRAWING NUMBER					00157EDF - DC				
REV					SHEET 1 OF 3				
DATE					A				

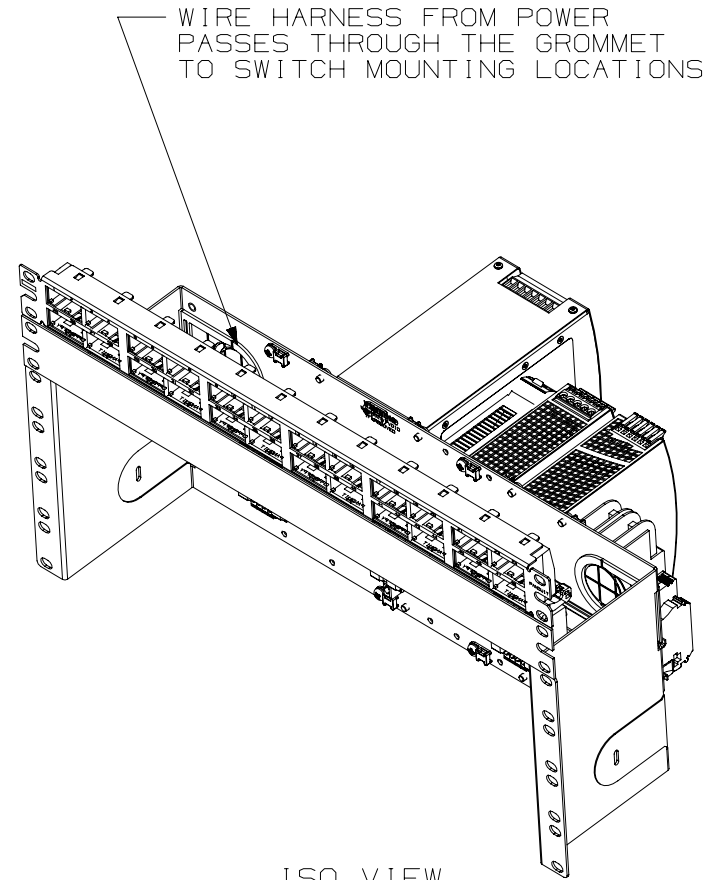
01A	1/7/19	EHA	JBO	KGA	INITIAL RELEASE	00157EDF
REV	DATE	BY	CHK	APR	DESCRIPTION	ECN

A-SIZE CUSTOMER

THIS COPY IS PROVIDED ON A RESTRICTED BASIS AND IS NOT TO BE USED IN ANY WAY DETRIMENTAL TO THE INTERESTS OF PANDUIT CORP.



TOP VIEW



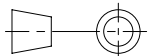
ISO VIEW

TITLE UNIVERSAL IDF, 100-240VAC IN, (2) PAN UPS 100W, HIGH DENSITY PATCH PANEL												
CUSTOMER DRAWING												
ITEM REVISION NAME 00157EDF/01					PANDUIT							
DATASET FILE NAME 00157EDF_DC/01A												
MATERIAL N/A					THIRD ANGLE PROJECTION							
DRAWING NUMBER 00157EDF - DC												
01A	1/7/19	EHA	JBO	KGA	SEE SHEET 1 FOR REVISION CONTROL	00157EDF						
REV	DATE	BY	CHK	APR	DESCRIPTION	ECN	DRAWN BY RHG	DATE 4/16/18	CHK EHA	SCALE NONE	DRAWING NUMBER SHEET 2 OF 3	SIZE A

A-SIZE CUSTOMER

THIS COPY IS PROVIDED ON A RESTRICTED BASIS AND IS NOT TO BE USED IN ANY WAY DETRIMENTAL TO THE INTERESTS OF PANDUIT CORP.

Part Number	Enclosure Finish	Enclosure RU	Number of RU Used	Panduit UPS	Redundant Power Supplies	Number of Industrial Switches
ZDF48-S65	Steel Grey	26 RU	20 RU	YES	YES	6
ZDF24-S45	Steel Grey	12 RU	12 RU	YES	YES	4
ZDF24-S25	Steel Grey	12 RU	7 RU	YES	YES	2
ZDF48-S85	Steel Grey	26 RU	26 RU	YES	YES	8
ZDF48-665	316 Stainless Steel	26 RU	20 RU	YES	YES	6
ZDF24-625	316 Stainless Steel	12 RU	7 RU	YES	YES	2
ZDINS25	-	-	6 RU	YES	YES	2

TITLE		UNIVERSAL IDF, 100-240VAC IN, (2) PAN UPS 100W, HIGH DENSITY PATCH PANEL			
		CUSTOMER DRAWING			
ITEM REVISION NAME		00157EDF/01			
DATASET FILE NAME		00157EDF_DC/01A			
		THIRD ANGLE PROJECTION			
MATERIAL		N/A			
		DRAWING NUMBER			
		00157EDF - DC			
DRAWN BY	DATE	CHK	SCALE		
RHG	4/16/18	EHA	NONE		
REV			DATE		BY
01A			1/7/19		EHA
DESCRIPTION			APR		BY
SEE SHEET 1 FOR REVISION CONTROL			KGA		BY
ECN			APR		BY
00157EDF			KGA		BY
SHEET 3 OF 3			APR		BY
A			APR		BY

B

B

A

A

A-SIZE CUSTOMER