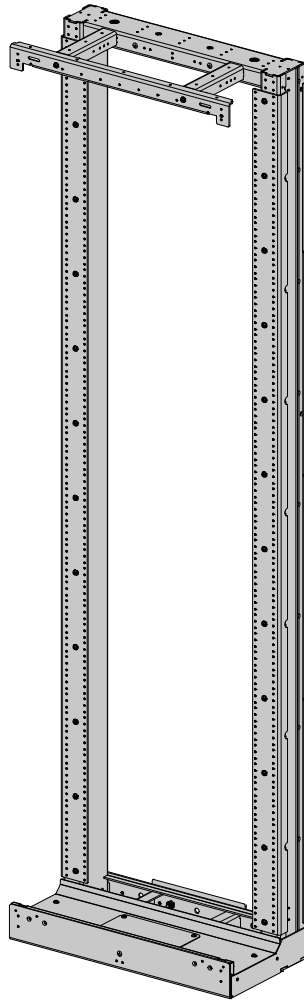


NOTE: Some views in this document may vary slightly from your actual configuration. Components missing from some views for clarity purposes.

Optical Distribution Frame
[FDF45**](#)



Tool List

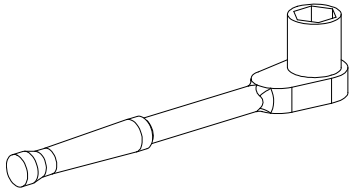
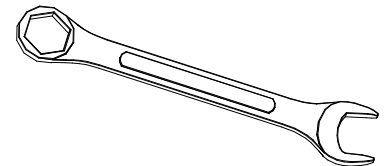
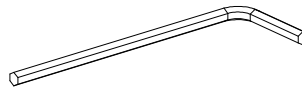
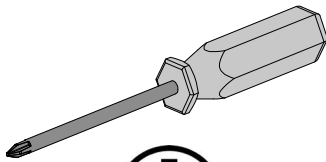
15mm Socket Wrench

Phillips screwdriver

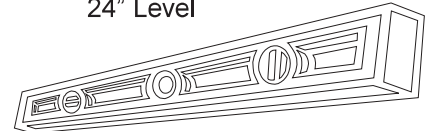
6mm Hex Key

1" Open End Wrench

9/16" Socket Wrench



24" Level



Disclaimer:

The information contained in this manual is intended as a guide for use by persons having technical skill at their own discretion and risk. The recommended practices are based on average conditions. Panduit makes no representation or warranty, express or implied, nor assumes any responsibility for the accuracy or completeness of these installation instructions. Panduit does not guarantee any favorable results nor assume any liability for damages, improper installation, system failures, or any other problems that could arise in connection with the use of these installation instructions.

IMPORTANT SAFETY INFORMATION



WARNING

FRAME TIPPING HAZARD

This frame can easily be tipped. Use extreme caution when unpacking or moving the frame.

Use **at least [2] persons** to remove frame from pallet and move frame into position (refer to page 4).

When installing Frame onto a raised floor, make certain the Frame is secured to concrete beneath the raised floor, a wall, or secured overhead to a structurally sound ceiling. **DO NOT** secure Frame directly to floor tiles.

FAILURE TO FOLLOW THESE INSTRUCTIONS CAN LEAD TO SERIOUS INJURY, DEATH, OR DAMAGE TO YOUR EQUIPMENT.

Safety Notes:

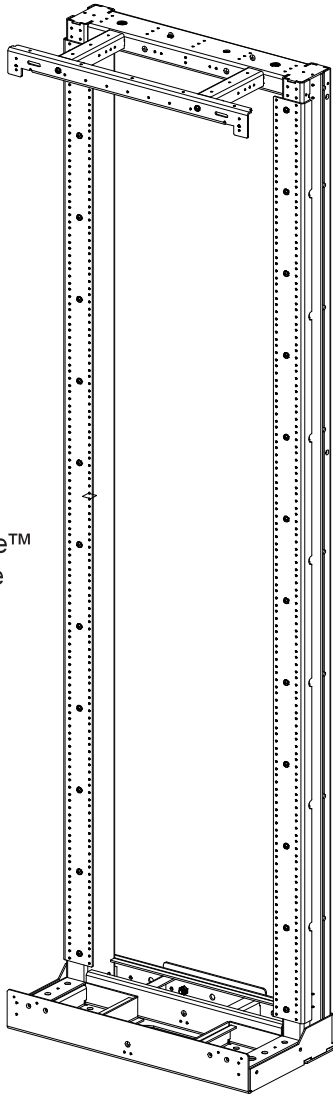
The maximum static weight load of the frame is 800lbs (363kg) The weight load should be evenly distributed across the height of the frame, with the heaviest components mounted at the bottom of the frame.

The maximum operating temperature is 50° C; so that the installer is able to determine acceptability of use of accessories and components in the operating state.

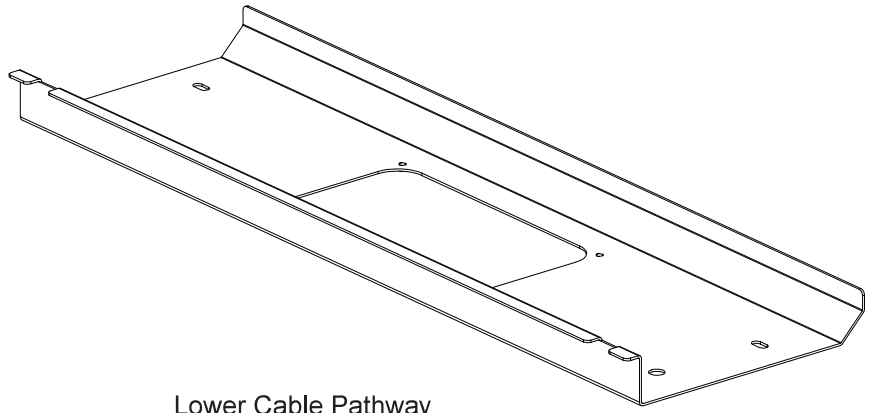
The equipment shall be installed or serviced by trained service personnel in accordance with the applicable requirements of the National Electric Code, ANSI/NFPA 70 or Canadian Electrical Code and the applicable sections of ANSI C2, the National Electrical Safety Code. These instructions shall not result in the risk of fire, electric shock, or injury to persons.

Components included

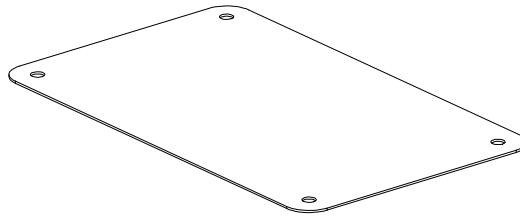
FlexCore™
Frame
Qty: 1



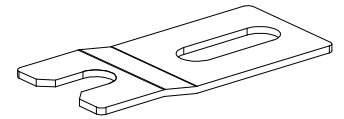
Lower Cable Pathway
Qty: 1



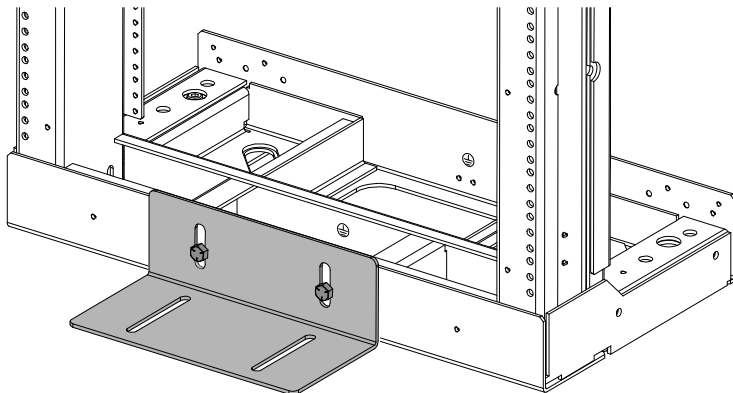
Lower Pathway Access Cover
Qty: 1



Leveling Leg Floor Clamp
Qty: 4

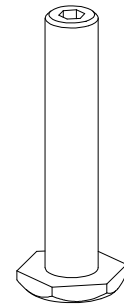


Leave Anti-Tip Bracket attached to the Frame until the Frame is secured to the floor or wall

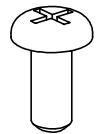


Wall Mount Bracket - Qty: 1
Includes (2) 3/8x16 x 1 Hex Head Bolts
(2) 3/8 Washers

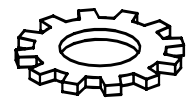
Hardware included



Leveling Leg
Qty: 4



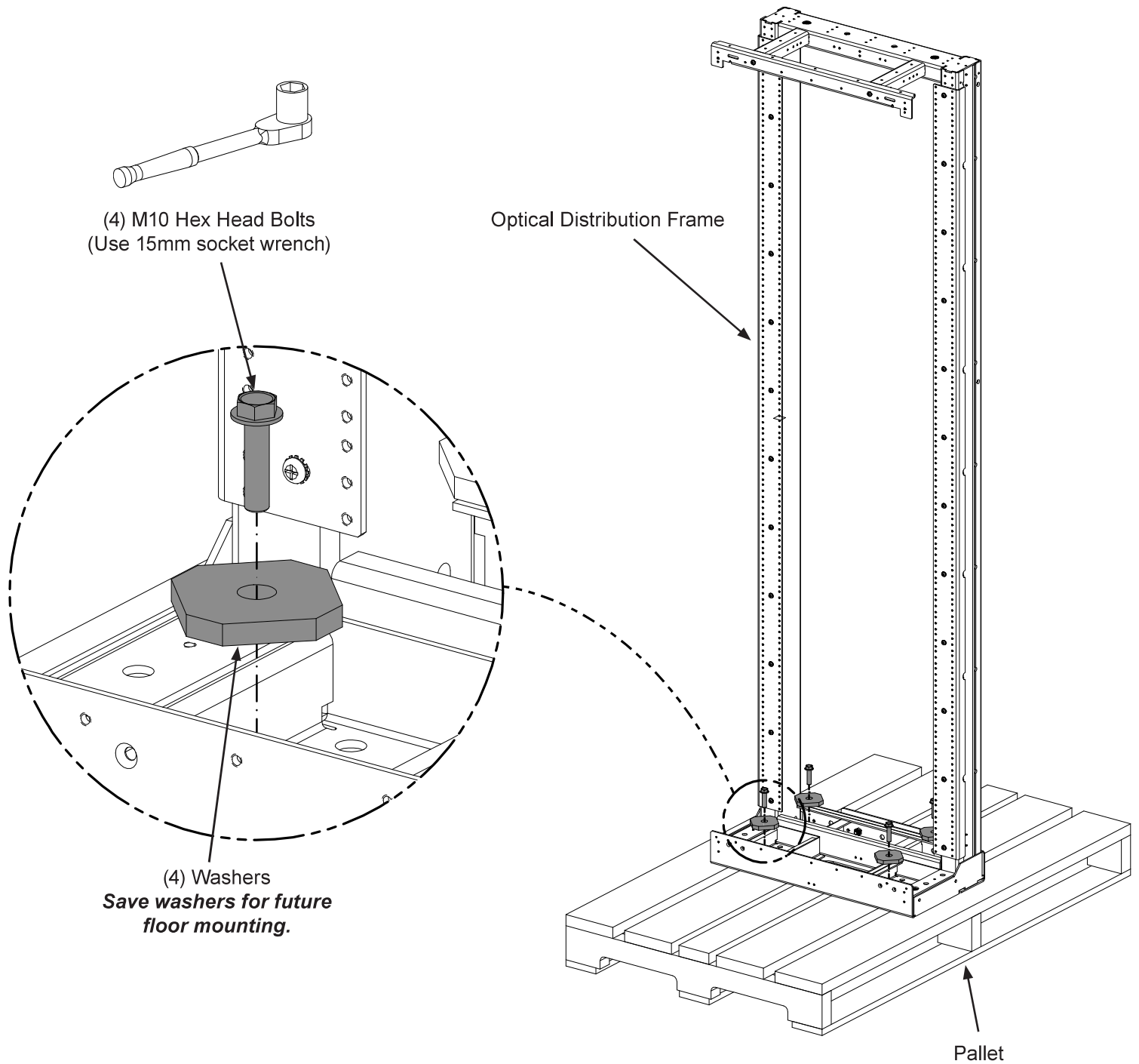
#12-24 x 1/2
Pan Head screw
Qty: 6



#12 Tooth Lockwasher
Qty: 6

Packaging Material Removal

- Remove all stretch wrap, protective cardboard, and plastic bag from outside of frame.
- Remove [4] Hold Down Bolts & washers from frame. **Save washers for future floor mounting.**
- Use **at least [2] persons** to carefully lift and remove the Optical Distribution Frame from pallet.





WARNING

Frame Tipping Hazard

Mount Frame to floor or wall before equipment is installed in Frame.

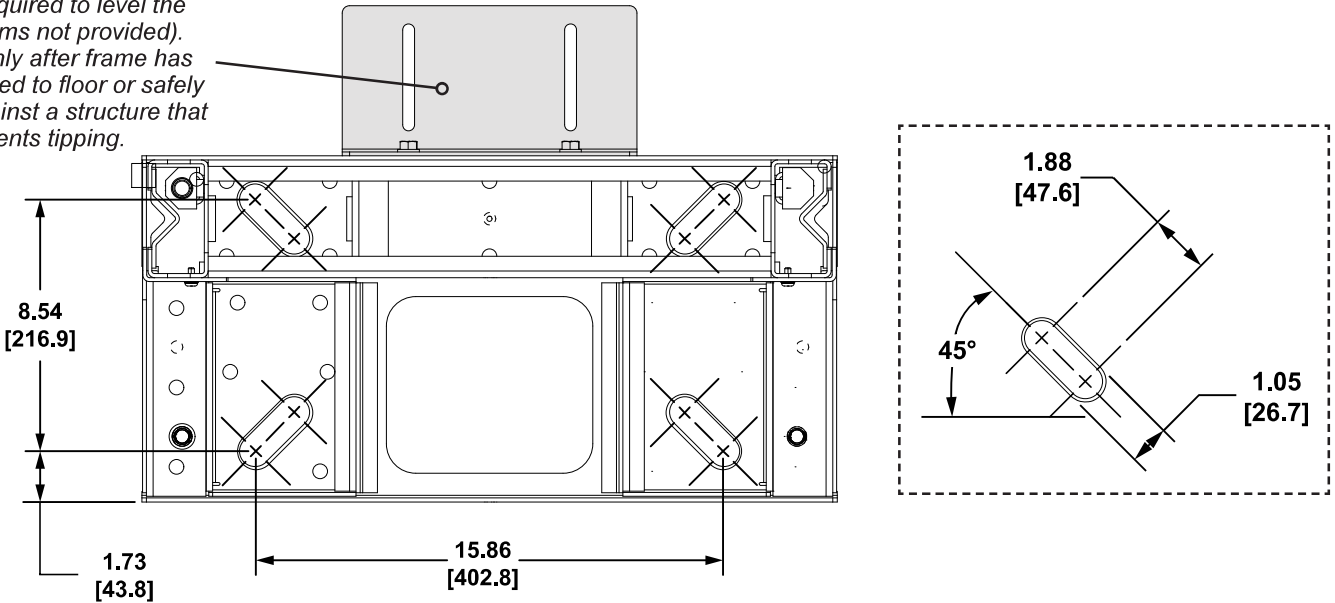
When installing Frame onto a raised floor, make certain the Frame is secured to concrete beneath the raised floor, a wall, or secured overhead to a structurally sound ceiling. DO NOT secure Frame directly to floor tiles.

FAILURE TO FOLLOW THESE INSTRUCTIONS CAN LEAD TO SERIOUS INJURY, DEATH, OR DAMAGE TO YOUR EQUIPMENT.

Floor Mounting - Seismic 3 Applications

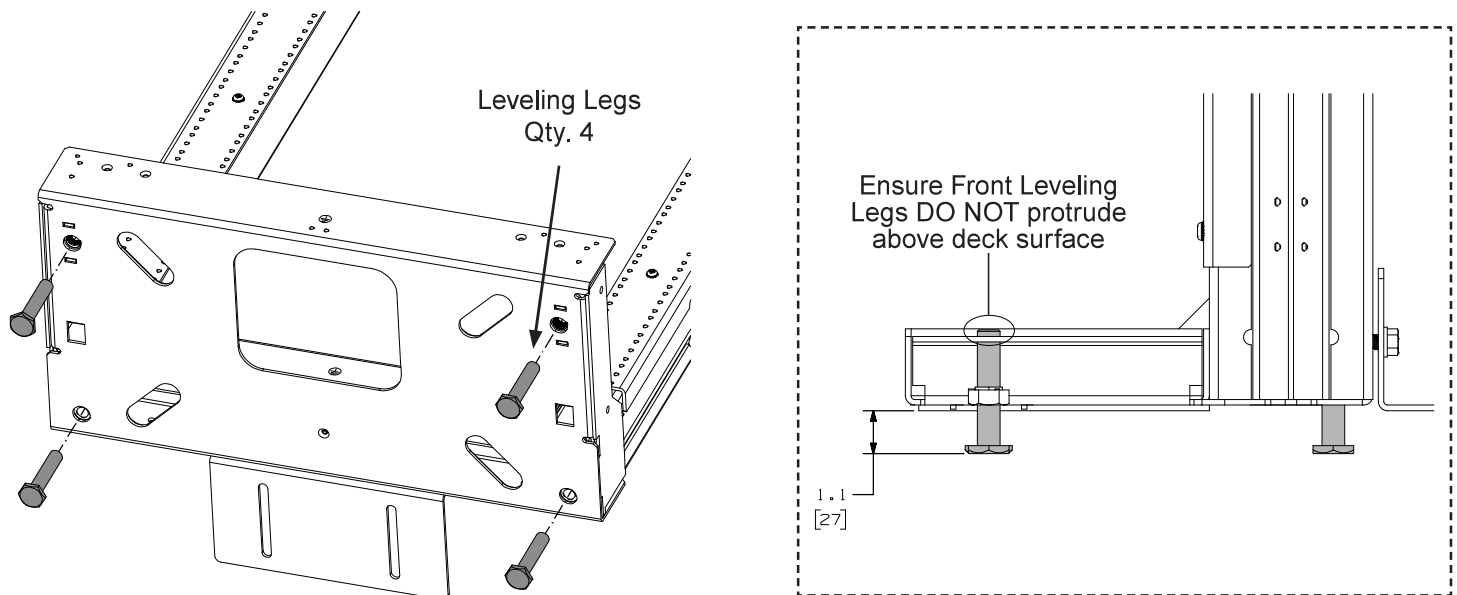
- See Floor Mounting View below for floor mounting dimensions
- If floor is level, attach the anchors to the floor with appropriate hardware for your type of floor

Note: If floor is not level, shims may be required to level the frame (shims not provided). Remove only after frame has been mounted to floor or safely secured against a structure that prevents tipping.



Floor Mounting - Unlevel Floor (not recommended for seismic zones)

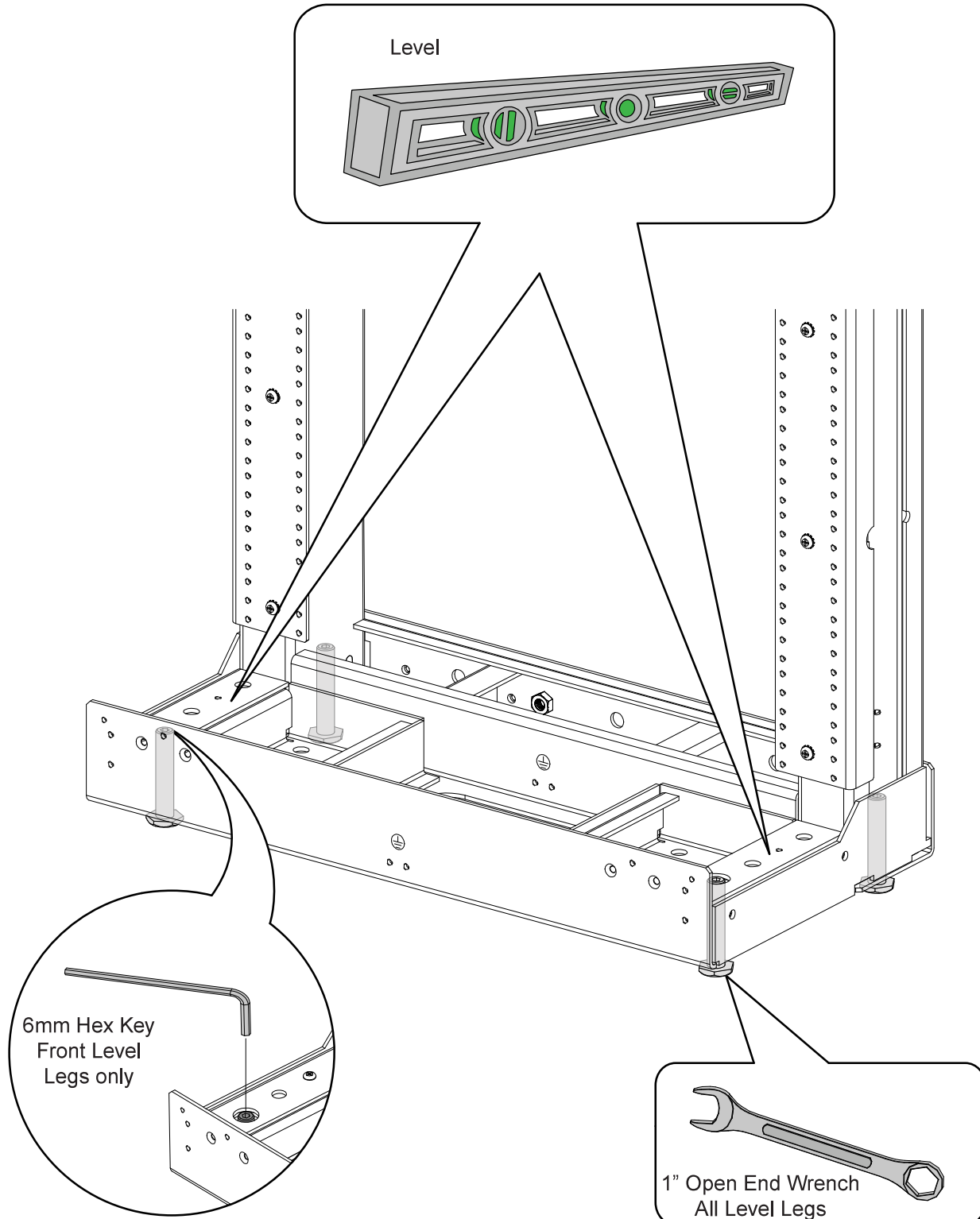
- Mount (4) Leveling Legs to the bottom of Frame as shown
- Ensure the Leveling Legs do not protrude above the deck of frame as shown. Legs should be extended at least 1.1"



For Technical Support: www.panduit.com/resources/install_maintain.asp

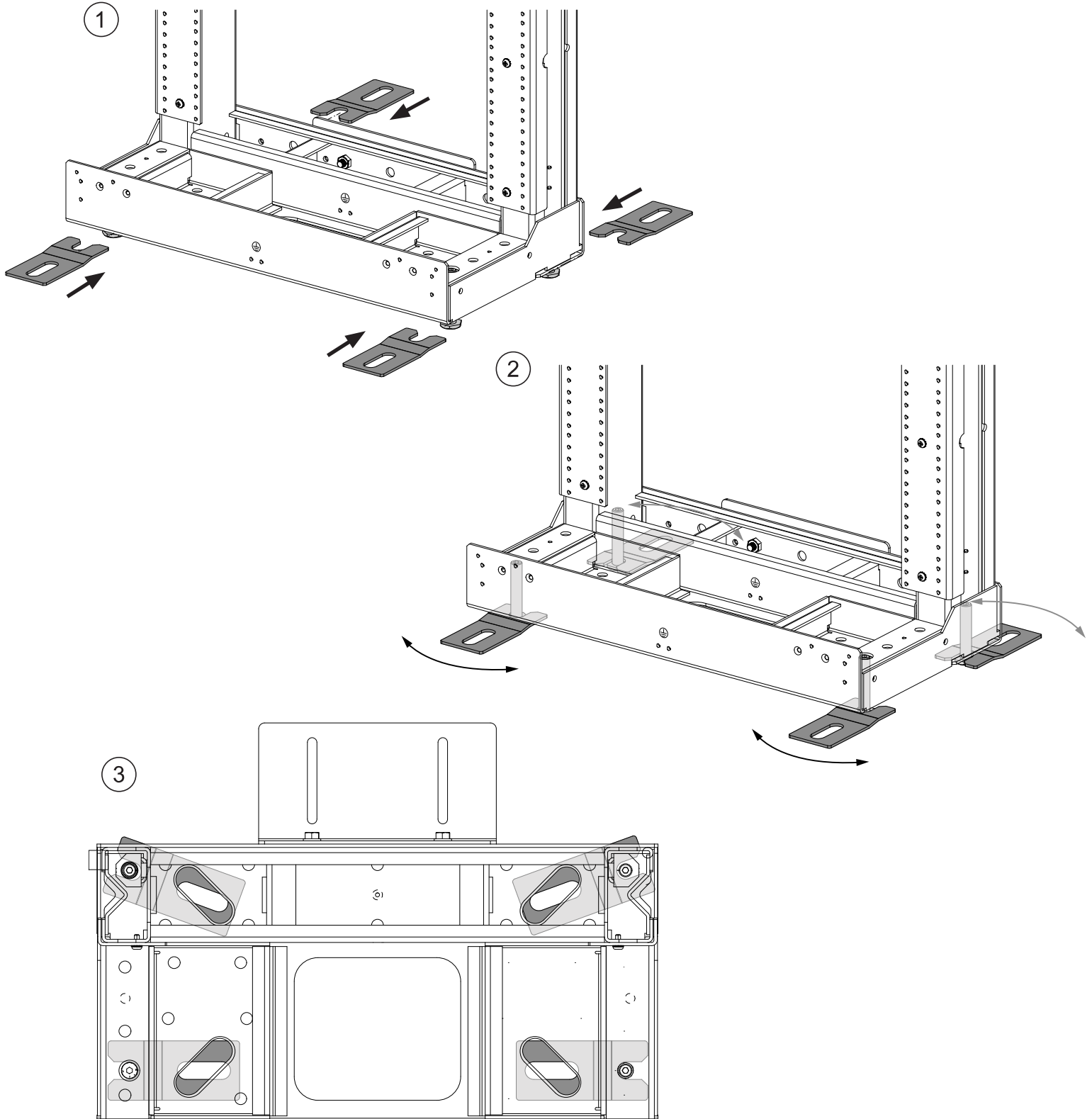
Floor Mounting - Unlevel Floor - (continued)

- Move Frame into final position.
- **Lower** the (4) Leveling Legs until the Frame weight is fully supported by only the leveling legs.
- Adjust the (4) Leveling Legs so that the Frame is level front-to-back and side-to-side.



Floor Mounting - Unlevel Floor - (continued)

- Slide (4) Level Leg Floor Clamps onto the leveling legs
- Swivel the legs into desired position. Note: The (4) Level Leg Floor Clamps can be swiveled into the interior of the Frame
- With the Level Leg Floor Clamps in position, attach them to the floor with appropriate hardware for your type of floor

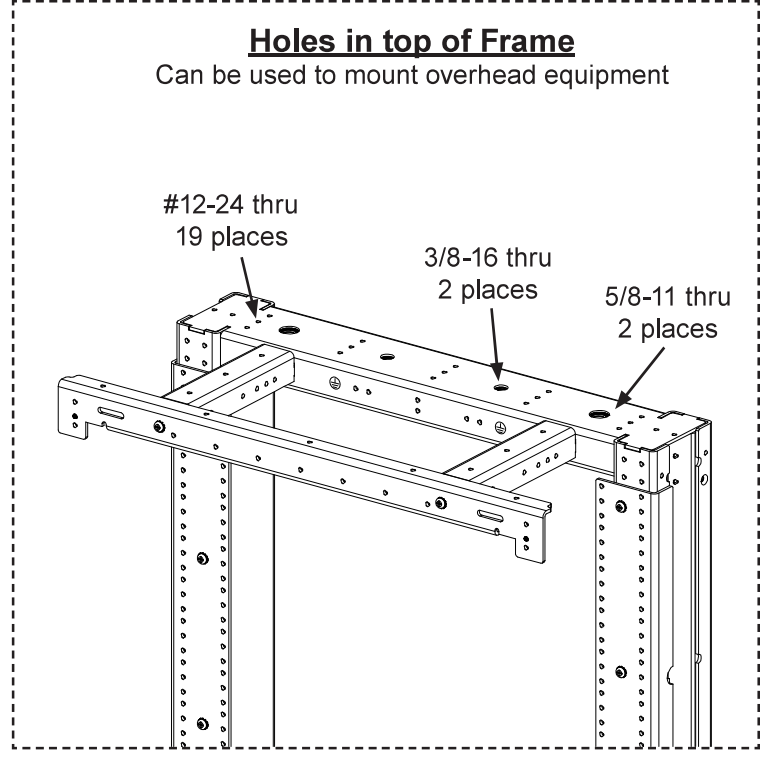
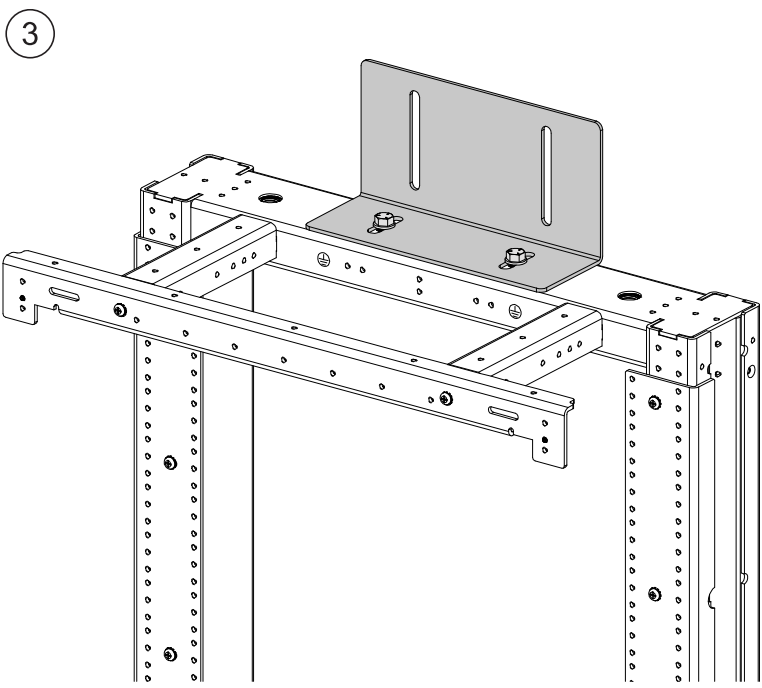
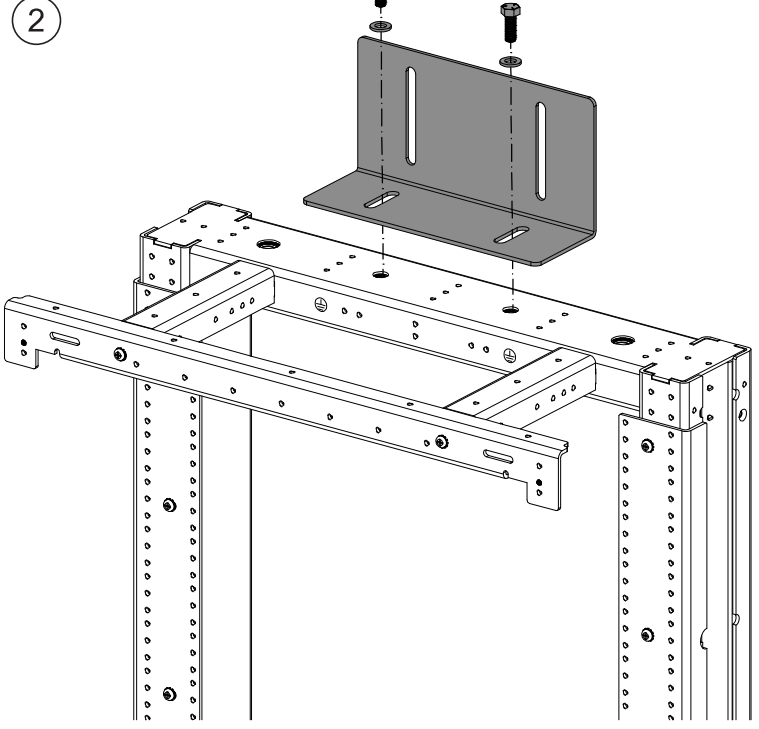
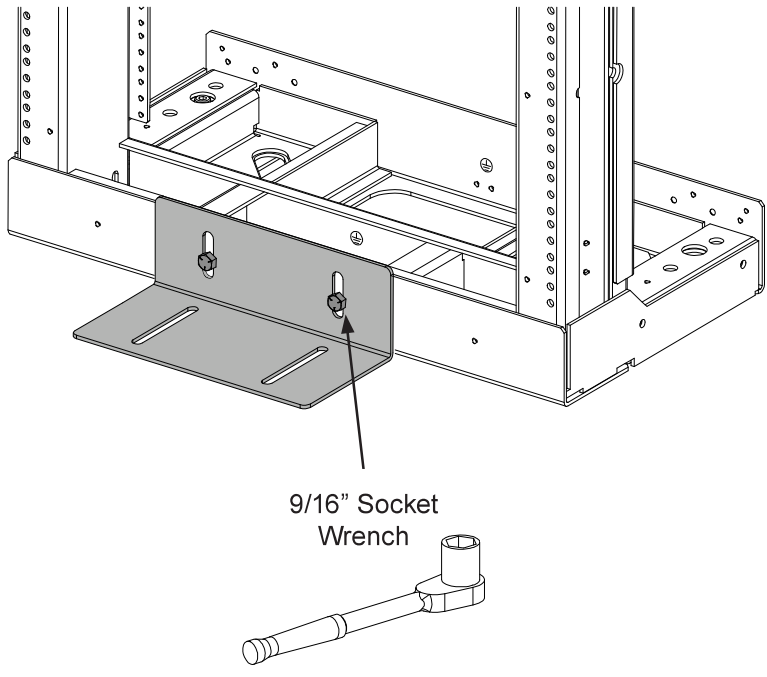


Wall Mounting - OPTIONAL

- Remove Wall Mount Bracket from rear of Frame
- Attach Wall Mount Bracket to top of Frame. Either leg length side of the Wall Mount Bracket can be attached to Frame
- Secure Frame to the wall with appropriate hardware for your type of wall

Holes in the top of Frame - Can be used for mounting equipment

① **Remove optional Wall Mount Bracket that comes attached to rear of Frame**





DANGER

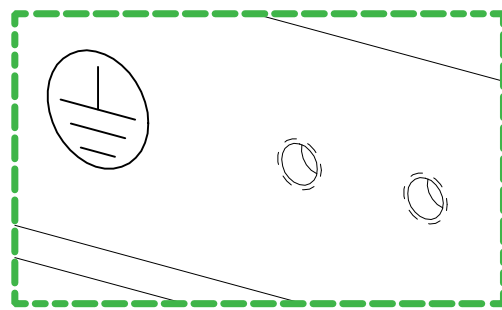
Electrical Shock Hazard

Each Frame must be connected to the Common Bonding Network (CBN).

FAILURE TO FOLLOW THESE INSTRUCTIONS CAN LEAD TO SERIOUS INJURY, DEATH, OR DAMAGE TO YOUR EQUIPMENT.

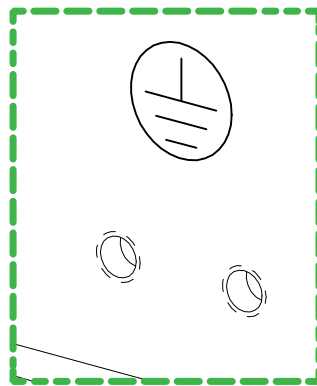
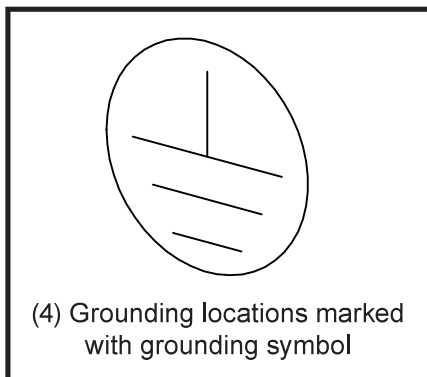
Grounding

- Attach Grounding Lug or Grounding Bar to Common Bonding Network (CBN), at any of the (4) locations shown below
- Grounding location is indicated by universal ground symbol near grounding lug locations.
- Remove factory-installed masking tape at grounding lug location to expose unpainted surface of Frame. Grounding lug or grounding bar must be assembled onto this unpainted surface (*per NEC NFPA 70 Article 250.12*).
- Use (2) 12-24 thread forming bonding screws to fasten grounding terminal to Frame (torque screws to 45 in-lb (5.1 N-m)).



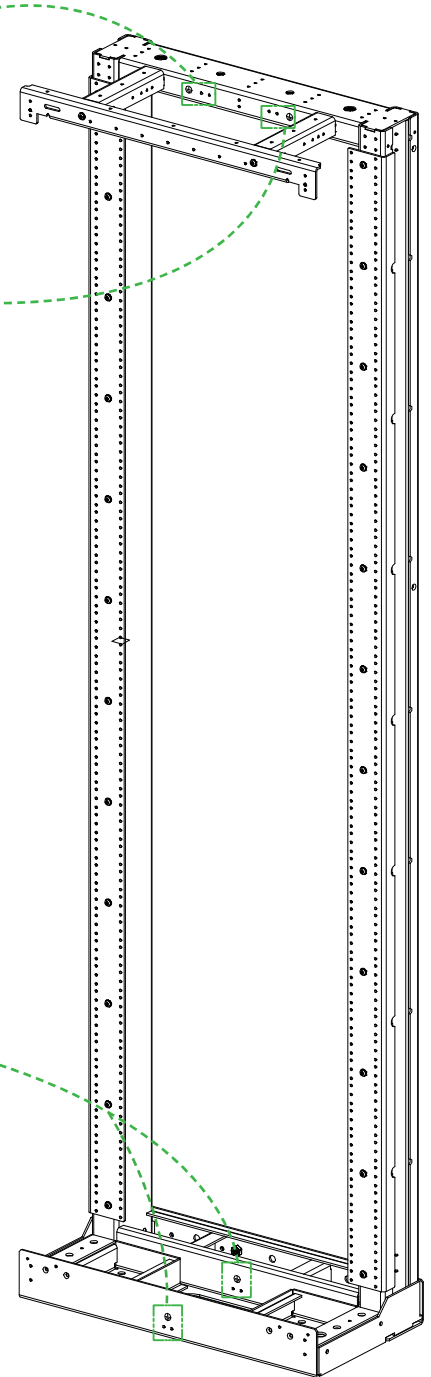
(2) Top Grounding Locations

Front and rear of frame
Remove masking tape



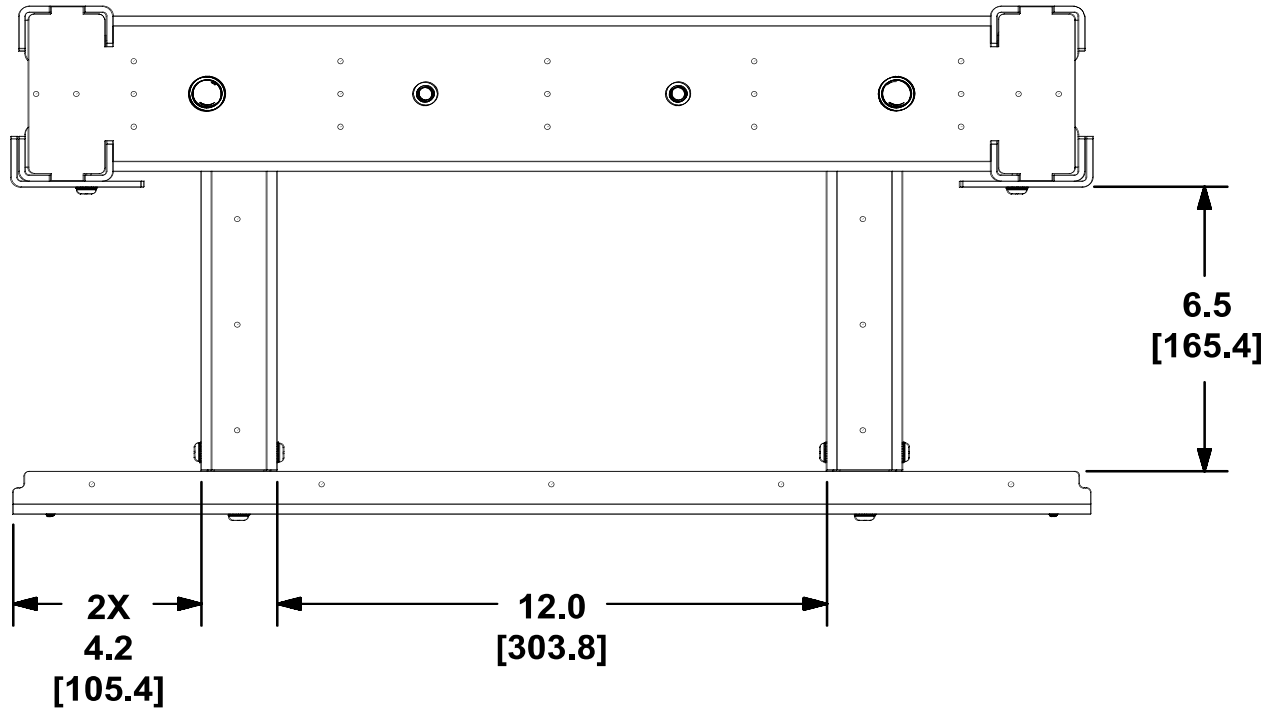
(2) Bottom Grounding Locations

Front of Frame
Remove masking tape

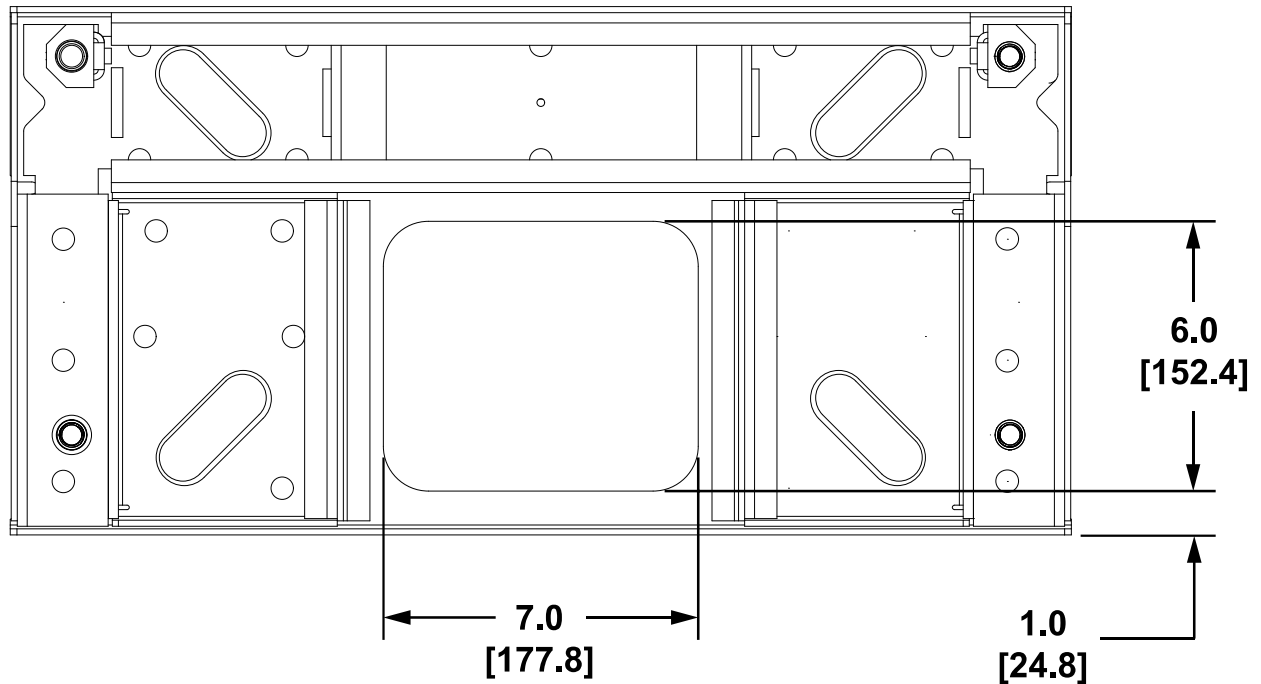


Cable Opening Sizes in Frame

Top of Frame - Overhead Incoming Cable Area

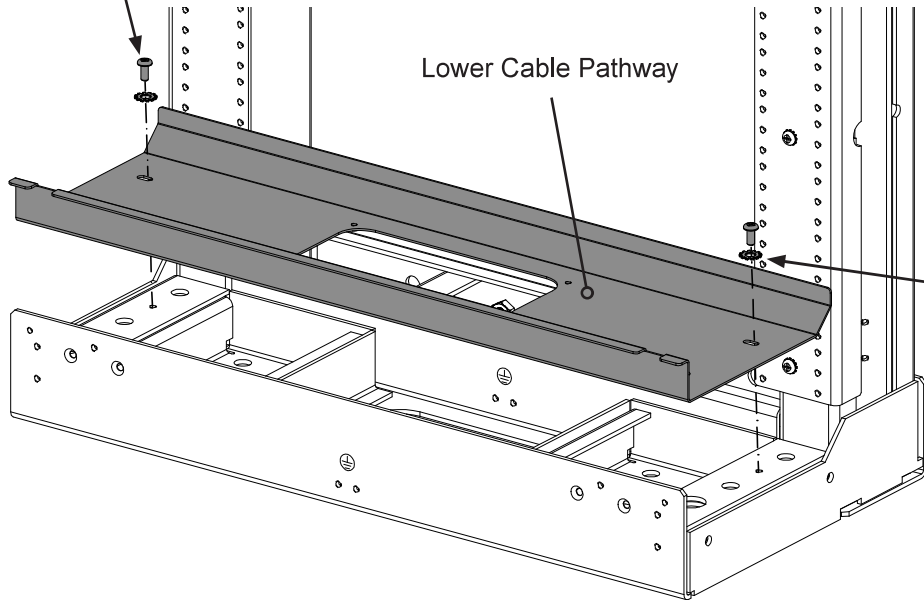


Bottom of Frame - Floor Incoming Cable Open Area



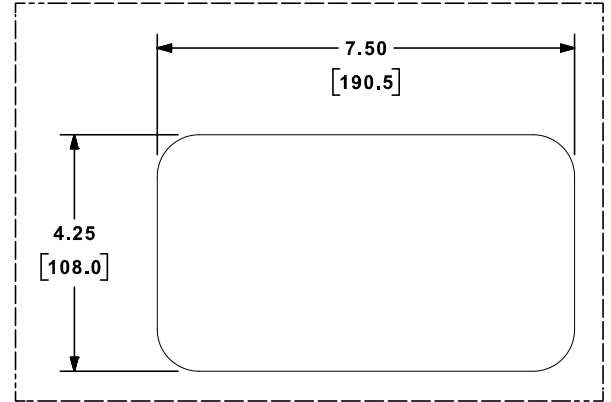
Attach Lower Cable Pathway

#12-24 x 1/2
Pan Head screw
2 places



Lower Cable Pathway

Cable Pathway Opening

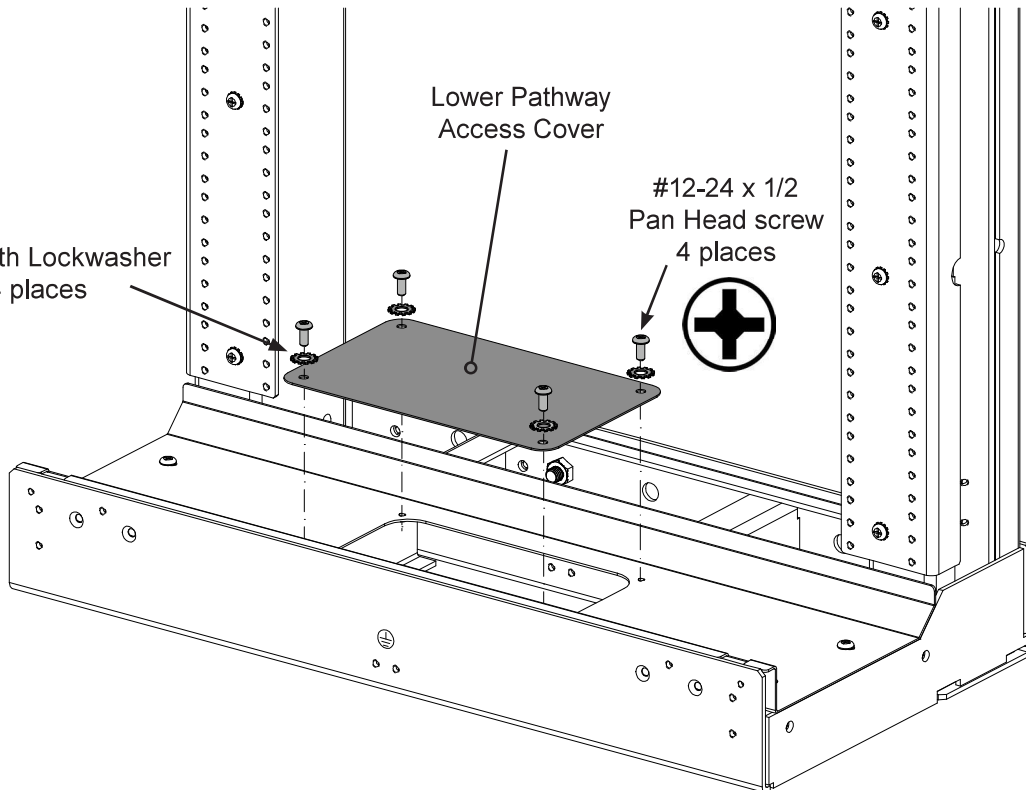


#12 Tooth Lockwasher
2 places

OPTIONAL - Attach Lower Pathway Access Cover

#12 Tooth Lockwasher
4 places

#12-24 x 1/2
Pan Head screw
4 places

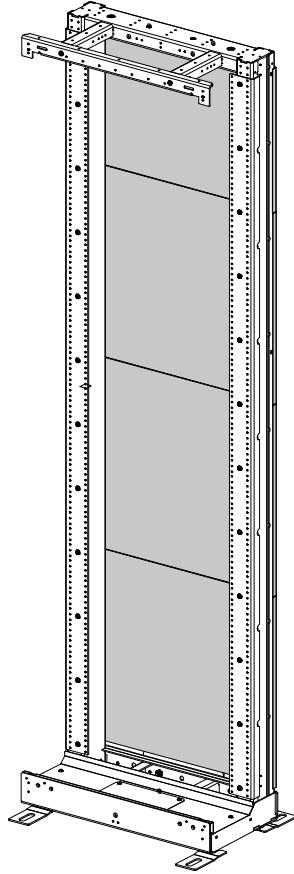


Lower Pathway
Access Cover

Available Applications - not included with Frame

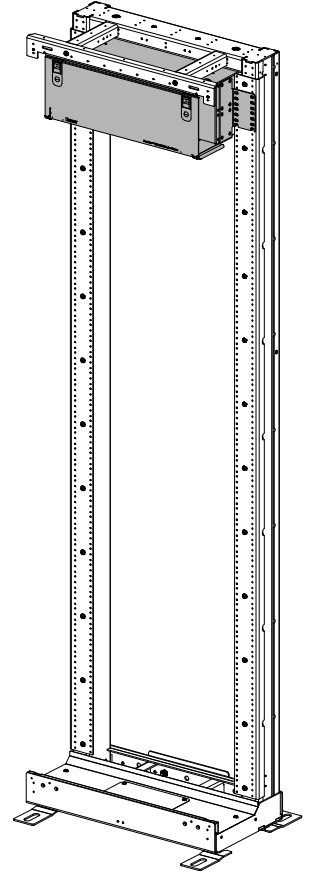
FDFRC45**
FlexCore™ Frame
Rear Panel

See
FS205
**Installation
Instructions**



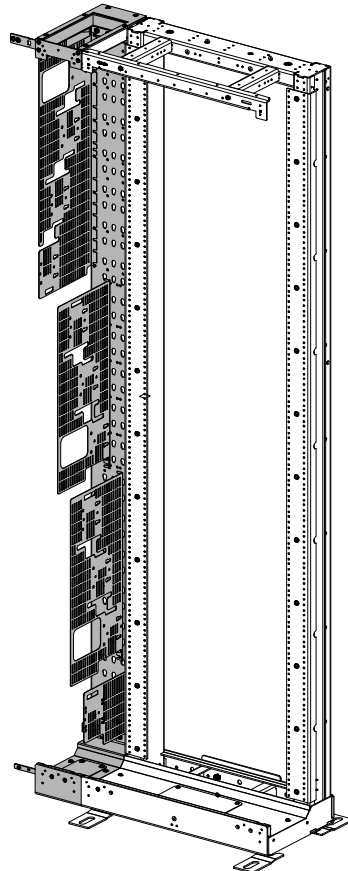
FDFUE4**
FlexCore™ Universal
Enclosure

See
FS203
**Installation
Instructions**



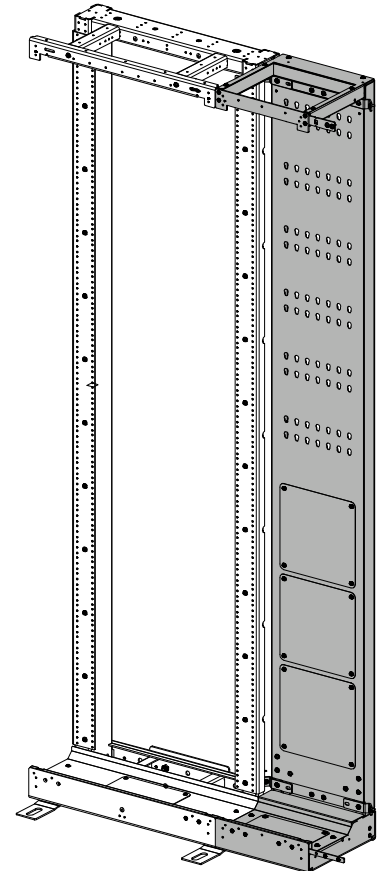
FDFVCM1545**
FlexCore™ Vertical Cable
Manager - 150mm

See
FS191
**Installation
Instructions**



FDFVCM3045**
FlexCore™ Vertical Cable
Manager -300mm

See
FS192
**Installation
Instructions**

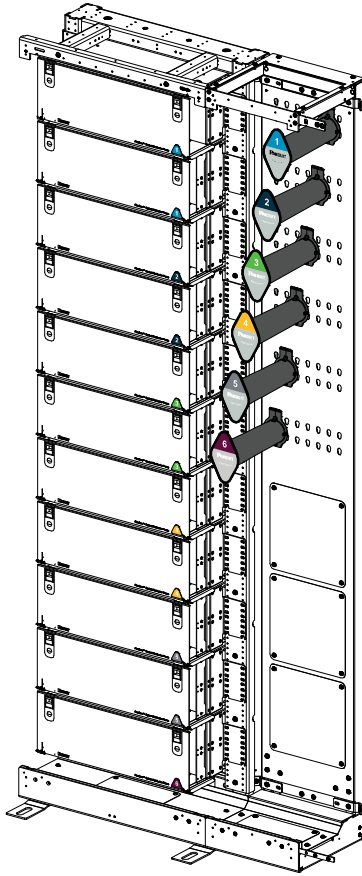


Available Applications - not included with Frame

FDUSP6

FlexCore™ Fiber
Spool 6-pack
Color Coordinated Kit

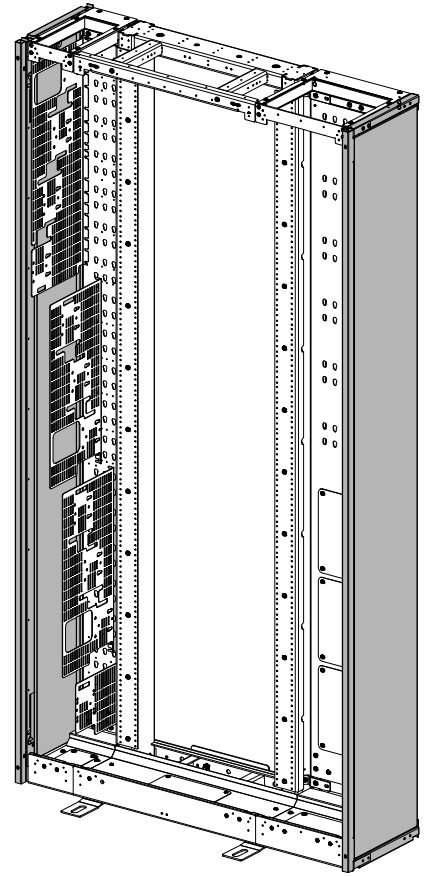
See
[FS199](#)
Installation
Instructions



FDPEP45**

FlexCore™ 12" End
Panel Kit
2 shown LH & RH

See
[FS194](#)
Installation
Instructions



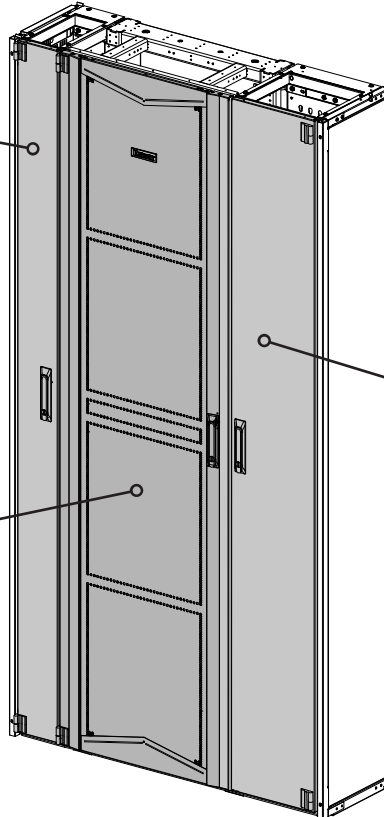
FDUFD1545S***

FlexCore™ Door -
150mm

See
[FS193](#)
Installation
Instructions

FDUFD6045P***

FlexCore™ Door -
600mm



FDUFD3045S***

FlexCore™ Door -
300mm

FlexCore™ System Installation Instructions

Installation Instruction Number	Panduit Part Number	Description
FS190	FDFF45**	FlexCore™ Optical Distribution Frame
FS191	FDFVCM1545**	FlexCore™ 150mm Vertical Cable Manager
FS192	FDFVCM3045**	FlexCore™ 300mm Vertical Cable Manager
FS193	FDUFD**45*X**	FlexCore™ Single Hinge Front Doors
FS194	FDFEP45**	FlexCore™ End Panels
FS198	FDUSP	FlexCore™ Fiber Spool
FS199	FDUSP6	FlexCore™ Fiber Spool 6-pack Color Coordinated Kit
FS200	FDS**-24-***	FlexCore™ Fusion Splice Cassette - Cable to LC Adapter
FS201	FDSN-24	FlexCore™ Fusion Splice Cassette - Cable to Cable
FS203	FDFUE4**	FlexCore™ 4RU Universal Enclosure
FS204	N/A	FlexCore™ Front Access Optical Distribution Frame Patchcord Routing Guide
FS205	FDFRC45**	FlexCore™ Frame Rear Panel
FS206	N/A	FlexCore™ Front Access Ingress/Egress Cabling Guide

For Instructions in Local Languages
and Technical Support:

www.panduit.com/resources/install_maintain.asp

PANDUIT

www.panduit.com

E-mail:
techsupport@panduit.com

Phone:
866-405-6654