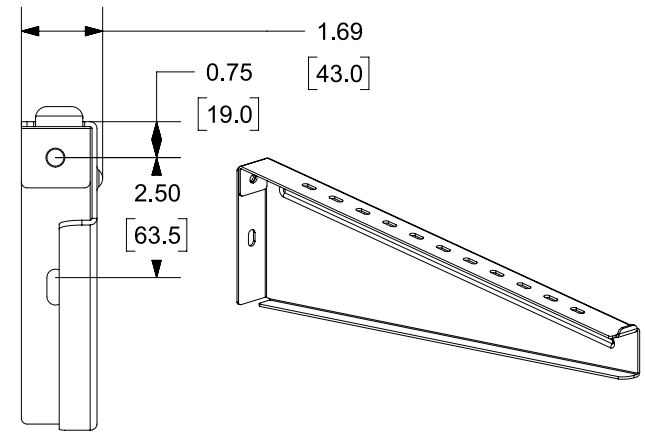
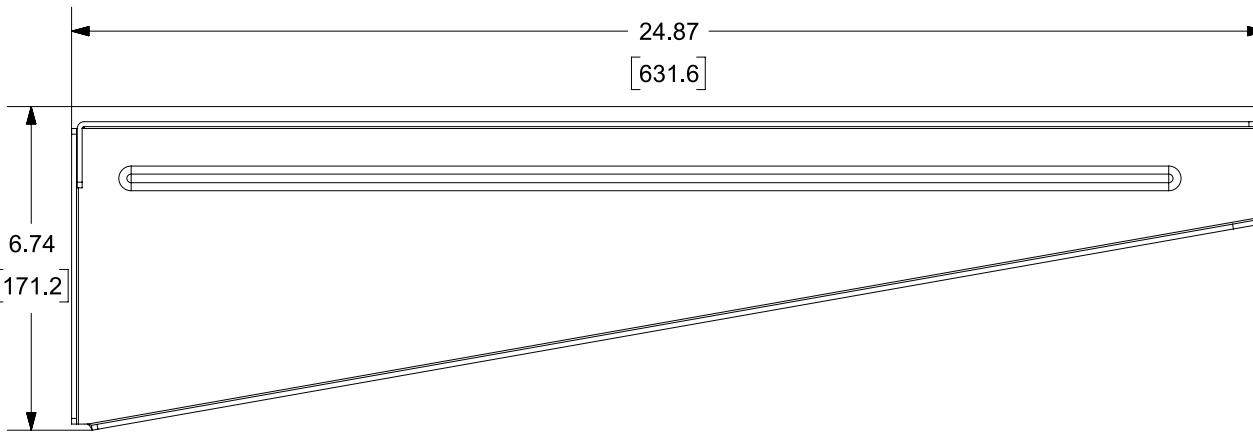
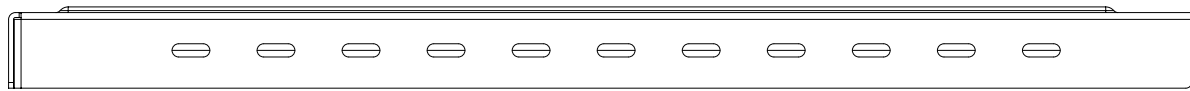


THIS COPY IS PROVIDED ON A RESTRICTED BASIS AND IS NOT TO BE USED IN ANY WAY DETRIMENTAL TO THE INTERESTS OF PANDUIT CORP.

PANDUIT P/N	WEIGHT
PWBCB24**	3.5 LBS/EACH (2177.2g)/EACH

NOTES:

1. DIMENSIONS IN [] ARE METRIC.
2. PART INCLUDES 1 BRACKET
3. PART WORKS WITH ALL 24" OR SMALLER WIDE WIRE BASKETS.
4. BRACKET ACCEPTS UP TO 5/16" OR 8mm CUSTOMER SUPPLIED MOUNTING HARDWARE
5. BASKETS ARE MOUNTED TO CANTILVER BRACKET WITH 2 PWBHK**. (SOLD SEPARATELY).
6. **= BL (BLACK POWDER COAT), WH (WHITE POWDER COAT), OR EZ (CLEAR ZINC)
7. ALL MATERIALS AND COMPONENTS USED MEET THE MATERIAL RESTRICTIONS OF RoHS (EUROPEAN DIRECTIVE 2011/65/EC ON THE RESTRICTION OF HAZARDOUS SUBSTANCES) AS PROPOSED BY THE RoHS TECHNICAL ADAPTATION COMMITTEE.



TITLE		WIRE BASKET CANTILEVER BRACKET 24" [600mm]	
ITEM REVISION NAME		CUSTOMER DRAWING	
00510EPJ/01			
DATASET FILE NAME			
00510EPJ_DC/01C		DRAWING NUMBER	
MATERIAL		00510EPJ-DC	
C.R.S.		SHEET 1 OF 1	
DRAWN BY	DATE	CHK	SCALE
JSP	6/2/21	WJM	NONE
THIRD ANGLE PROJECTION		SIZE	
A		A	

REV	DATE	BY	CHK	APR	DESCRIPTION	ECN
01C	12-14-23	SAT	DWR	EB	B. UPDATED TITLE.	00510EPJ-DC
01B	3/7/22	JSP	DWR	ML	A. ADD NOTE 3-7	00510EPJ-DC
01A	6/2/21	JSP	WJM	ML	INITIAL RELEASE	00510EPJ-DC