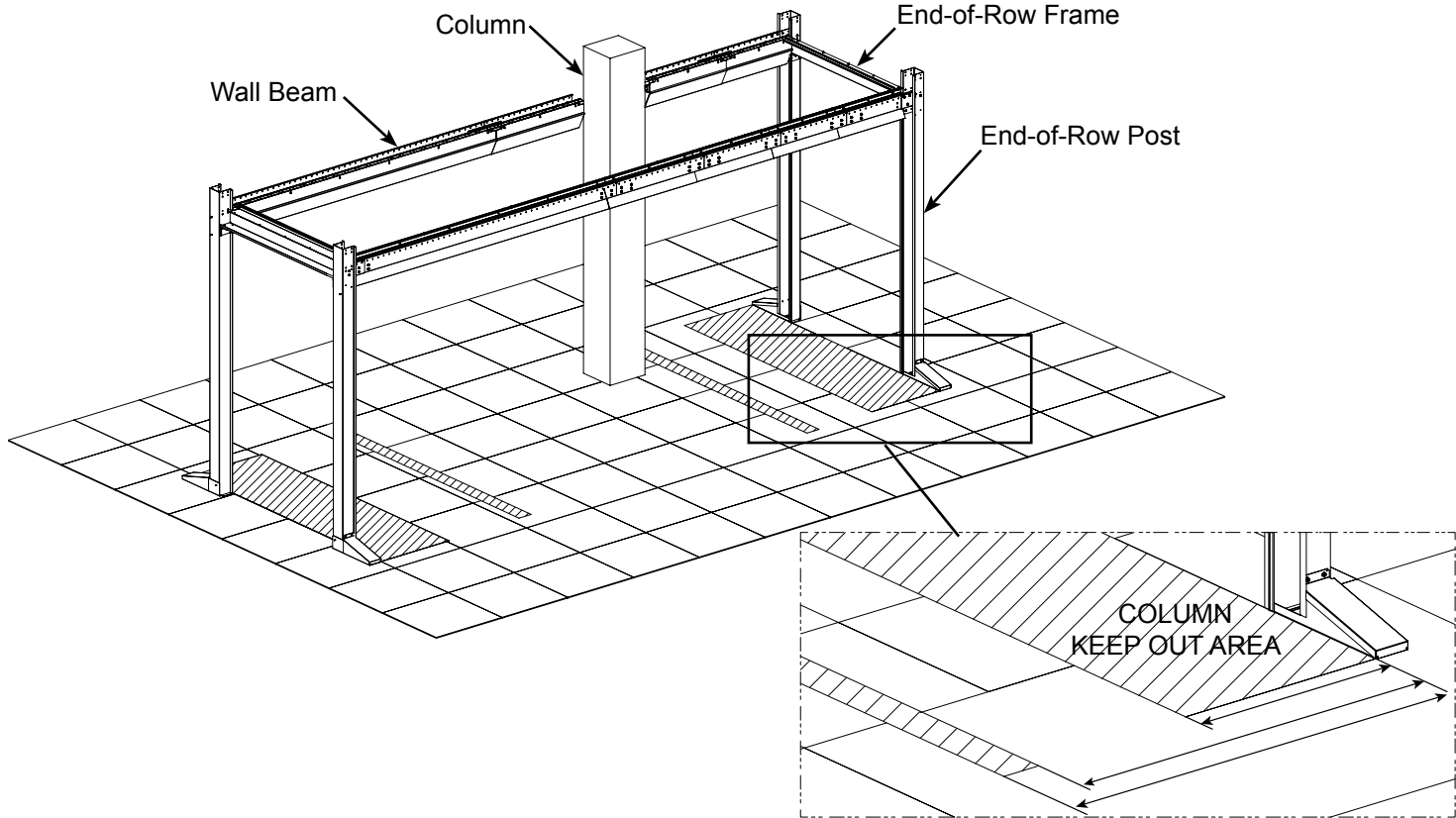


Column Location

The face of a column cannot be located between 0-620mm and 1010-1220mm from the inside of each end of the row post (or the face of another Column)

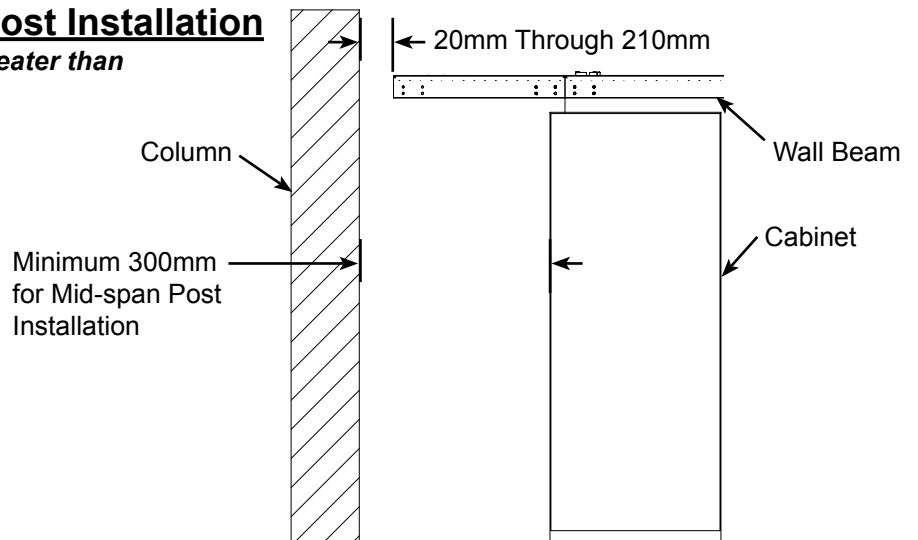


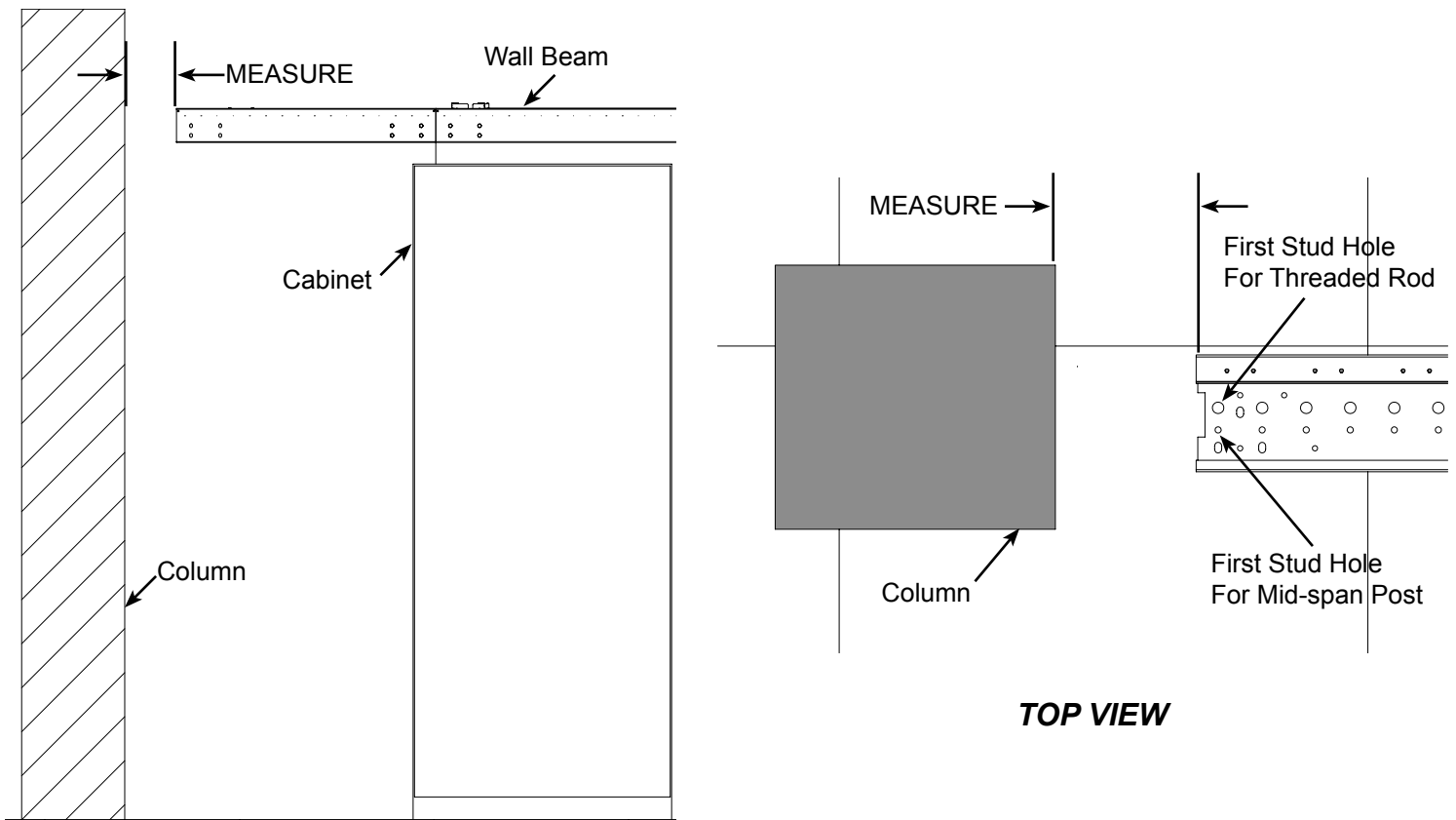
Wall Beam Location

Select a combination of Wall Beams such that there is a gap between the end of the nearest Wall Beam and the face of the column between 20mm and 210mm. The Wall Beams will need to reach both End-of-Row frames, when the gap around the column is included. The Wall Beams will likely need to be different lengths on both sides of the row.

Cabinet Location for Mid-Span Post Installation

Distance of Cabinet from Column must be greater than 300mm (11.8") to install Mid-Span Post.





Install Mid-Span Post

- Measure from the face of the column to the end of the wall beam
- If face of column is less than 60 mm from end of Wall Beam, install Mid-Span Post such that the studs will pass through the third and fourth stud holes from the end of Wall Beam.
- If face of column is between 60 and 110mm from end of Wall Beam, install Mid-Span Post such that the studs will pass through the second and third holes from end of Wall Beam.
- If face of column is greater than 110mm from end of Wall Beam, install Mid-Span Post such that the studs will pass through either the second and third holes or the first and second holes from the end of the Wall Beam.

Install Threaded Rod

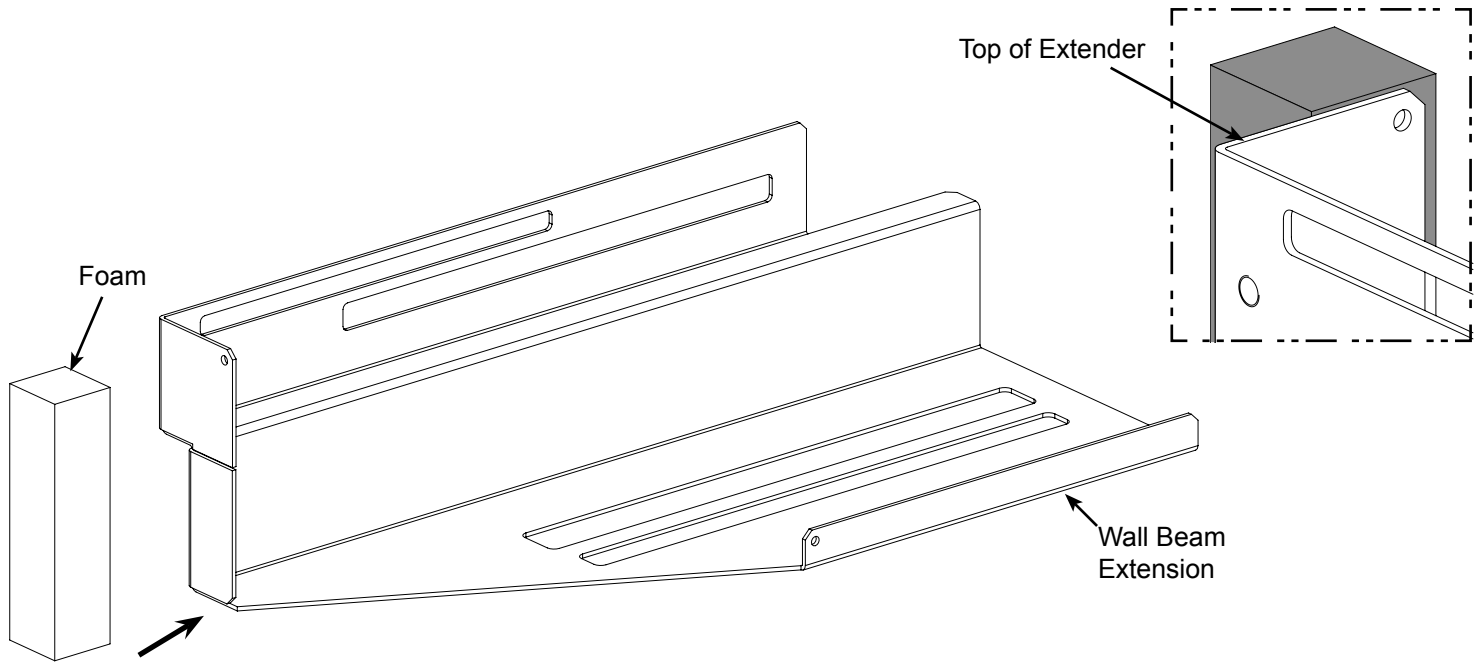
- Measure from the face of the column to the end of the wall beam
- If face of column is less than 60 mm from end of Wall Beam, install Threaded Rod such that the studs will pass through the third or fourth stud holes from the end of Wall Beam.
- If face of column is between 60 and 110mm from end of Wall Beam, install Threaded Rod such that the studs will pass through the second or third holes from end of Wall Beam.
- If face of column is greater than 110mm from end of Wall Beam, install Threaded Rod such that the studs will pass through either the first, second or third holes from the end of the Wall Beam.

Important:

Additional Information for Mid-Span Post, Threaded Rod and Wall Beam Assemblies can be found in the UAC Installation Guide. Mid-Span Post and Threaded rods located closest to columns will be secured to Wall Beam Assemblies after Column Adapter Kit is Installed.

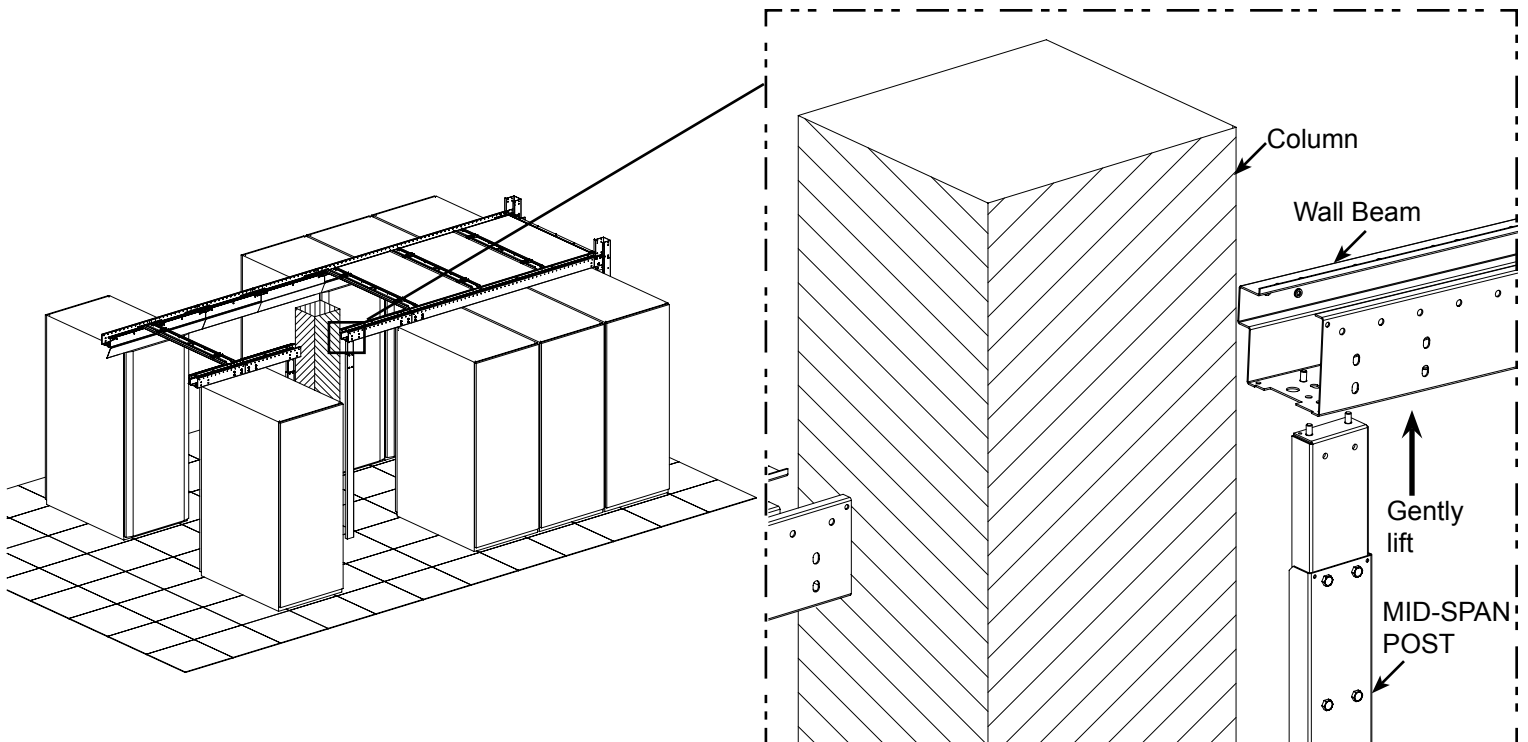
Install Foam

- Install the adhesive foam seal onto the Wall Beam Extension such that it extends just beyond the top of the extender to provide a seal.



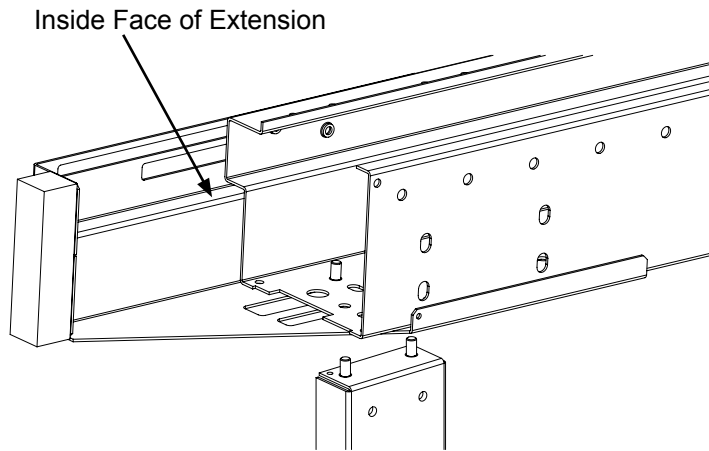
Lift Wall Beam

- Gently lift Wall Beam to allow space for Wall Beam Extension to be placed under Wall Beam.



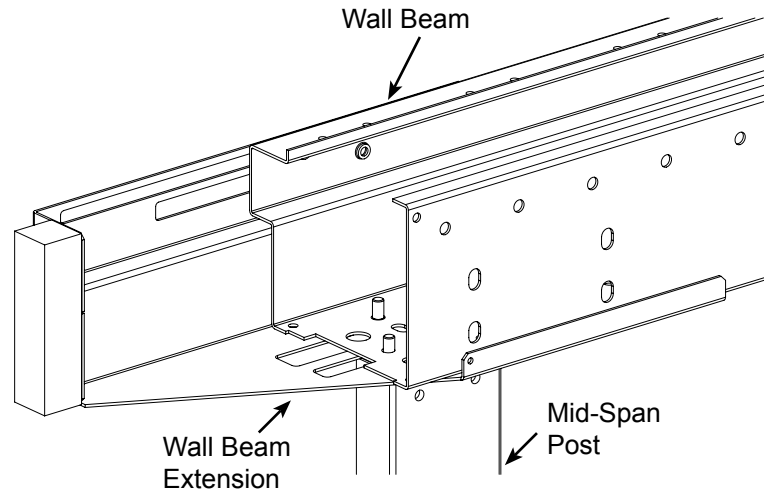
Place Wall Beam Extension

- Position the Wall Beam Extension over the outside of the end of the Wall Beam such that the inside face of the Extension is flush with the Wall Beam.



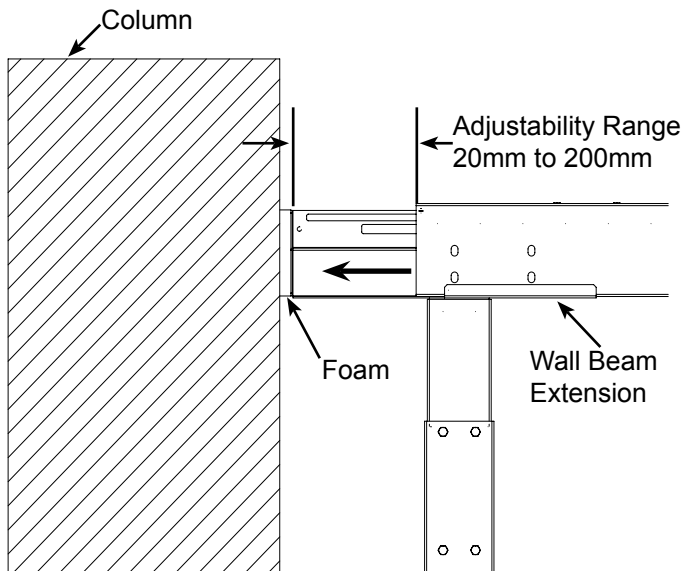
Lower Wall Beam & Wall Beam Extension

- Lower Wall Beam & Wall Beam Extension on the Mid-Span Post



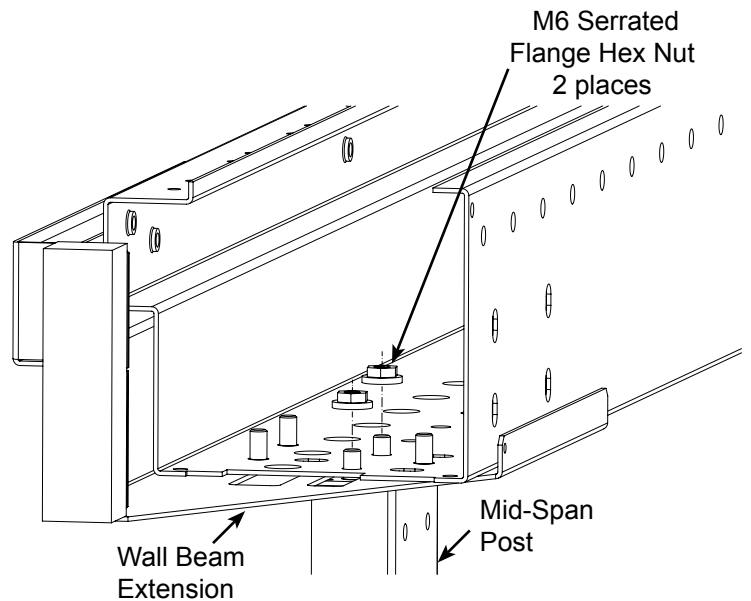
Adjust Wall Beam Extension

- Slide Wall Beam Extension toward column until Foam Seal is compressed.



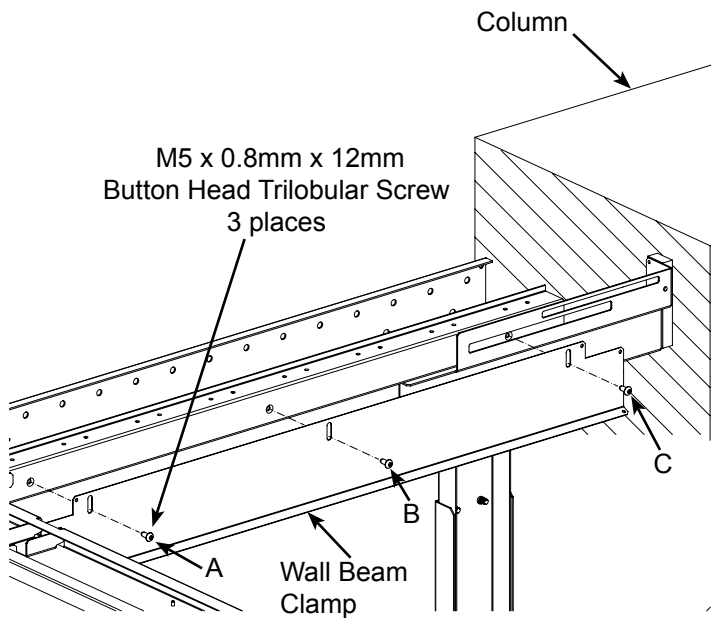
Secure to Mid-Span Post

- Tighten M6 Serrated Hex Nuts to secure the Wall Beam Extension



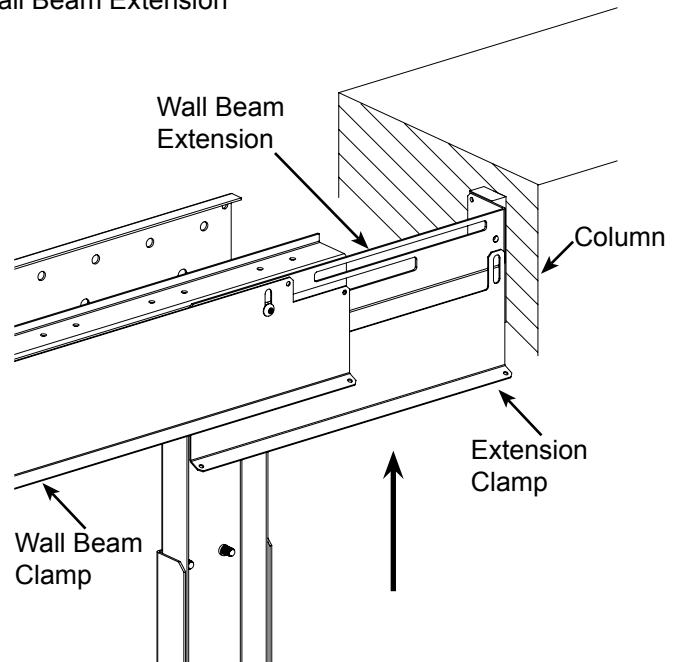
Install Wall Beam Clamp

- Only tighten screw (A) and Leave screws (B & C) partially tightened to allow space for Extension Clamp (Shown in next Step) to be inserted behind Wall Beam Clamp.



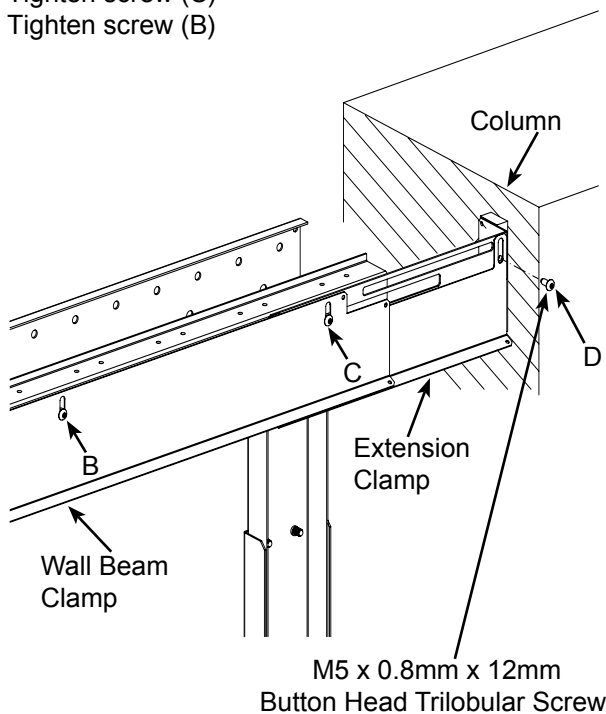
Position Extension Clamp

- Slide Extension Clamp behind Wall Beam Clamp
- Slide in an upward direction until bends in the Extension Clamp and Wall Beam Clamp are flush
- Locate Slot in Extension Clamp with threaded hole in the Wall Beam Extension



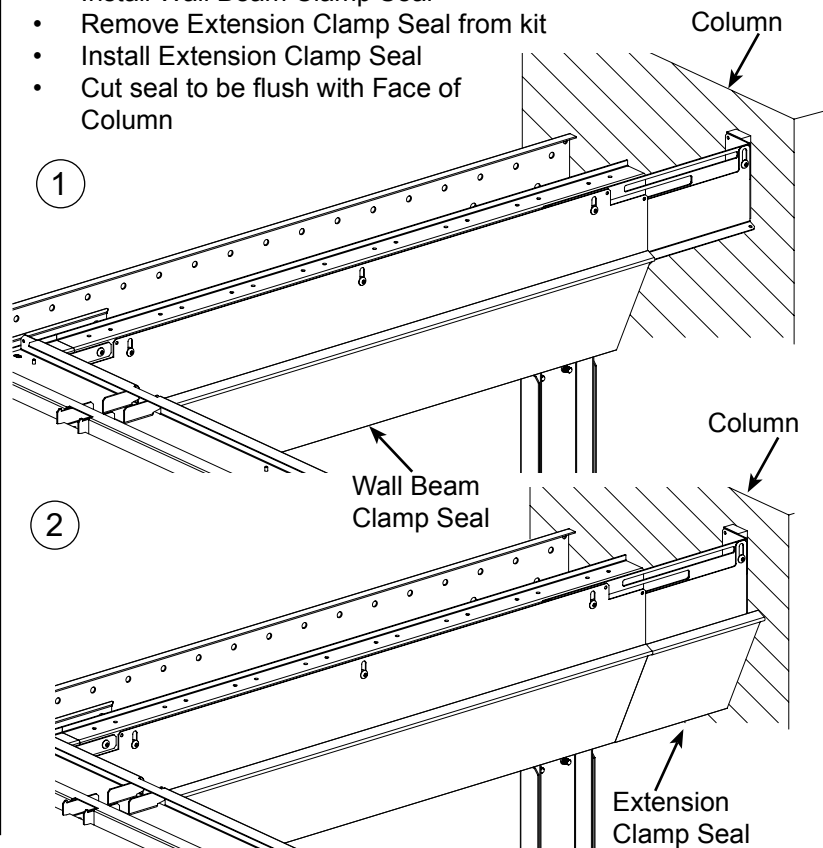
Secure Wall Beam Clamp & Extension Clamp

- Tighten screw (D)
- Tighten screw (C)
- Tighten screw (B)



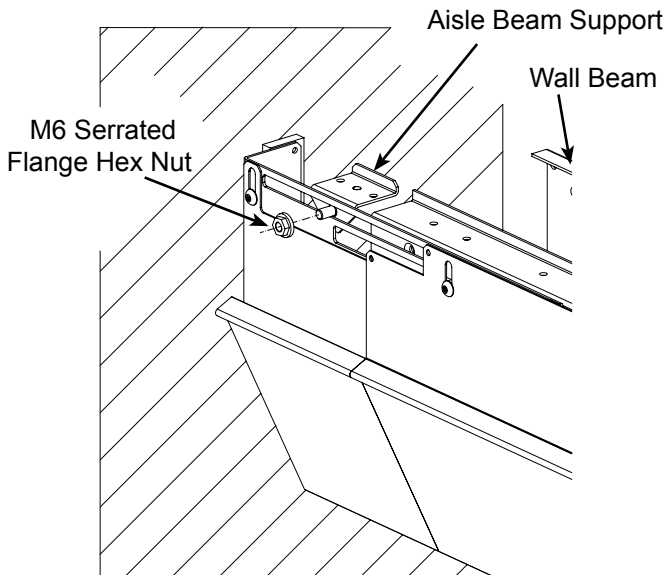
Install Clamp & Extension Clamp Seals

- Install Wall Beam Clamp Seal
- Remove Extension Clamp Seal from kit
- Install Extension Clamp Seal
- Cut seal to be flush with Face of Column



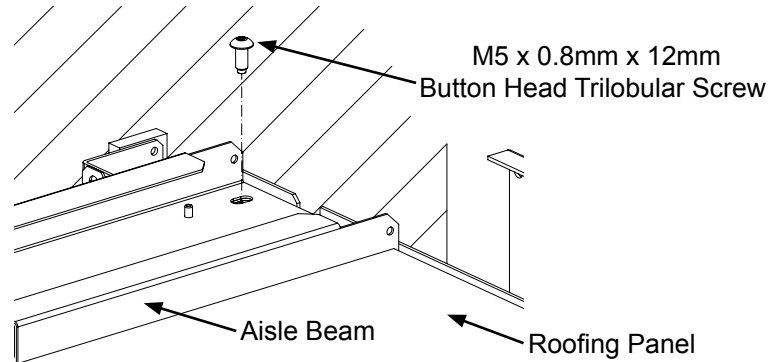
Install Aisle Beam Support

- Hand tighten nut to allow for adjustment when aligning Aisle Beam Support to Aisle Beam.
- **NOTE:** Aisle Beam should be supported by (2) Aisle Beam Supports OR (1) Aisle Beam Support and Wall Beam as shown. Aisle Beam Support is not required if Aisle Beam can be properly installed to Wall Beam.



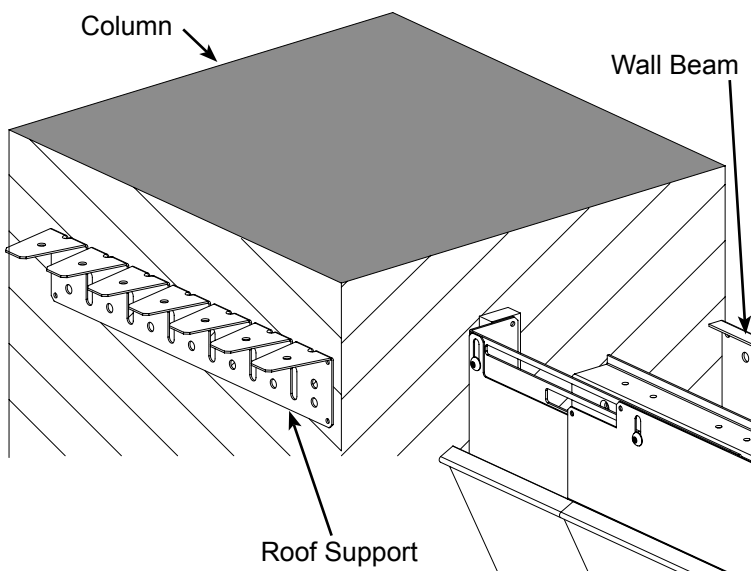
Install Aisle Beam

- Lower the Aisle Beam onto the Wall Beam or Aisle Beam Supports
- Lower (1) ceiling panel to Adjust the position of the Aisle Beam using the ceiling panel as a guide.
- Slide the Aisle Beam Support(s) to line up the tapped holes in the Supports with the clearance slots on the Aisle Beam.
- Tighten M5 Button Head Screw(s) for Aisle Beam Support locations.
- Tighten M6 Flange Nut(s) onto the Aisle Beam Support Stud with a 10mm open-end wrench.



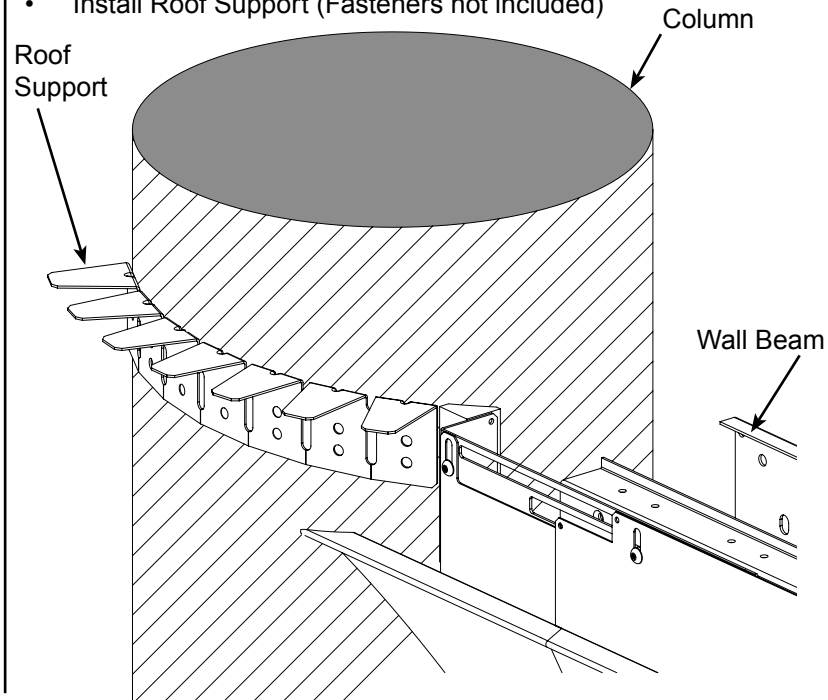
Install Roof Support

- Remove Roof Support from Kit
- Locate Top of Roof Support Co-Planer to Top of Wall Beam
- Remove tabs if necessary for proper fit
- Install Roof Support (Fasteners not included)



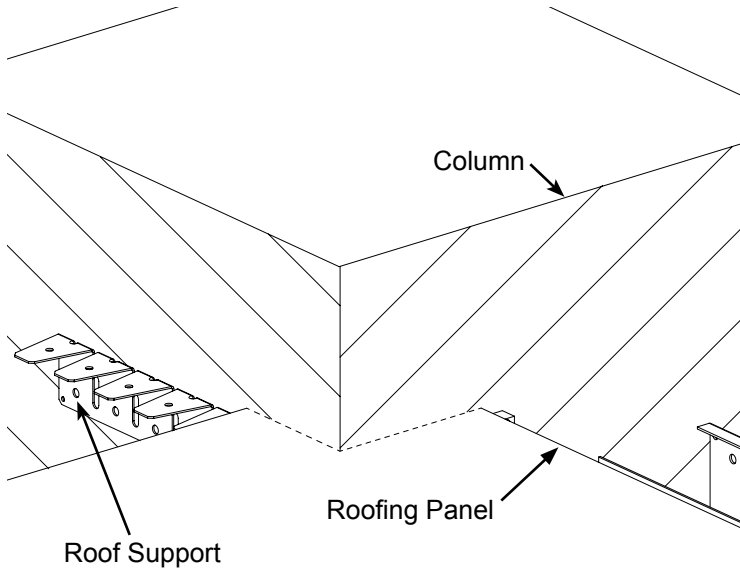
Install Roof Support for Cylinder Columns

- Remove Roof Support from Kit
- Bend Roof Support to profile of column
- Locate Top of Roof Support Co-Planer to Top of Wall Beam
- Remove tabs if necessary for proper fit
- Install Roof Support (Fasteners not included)



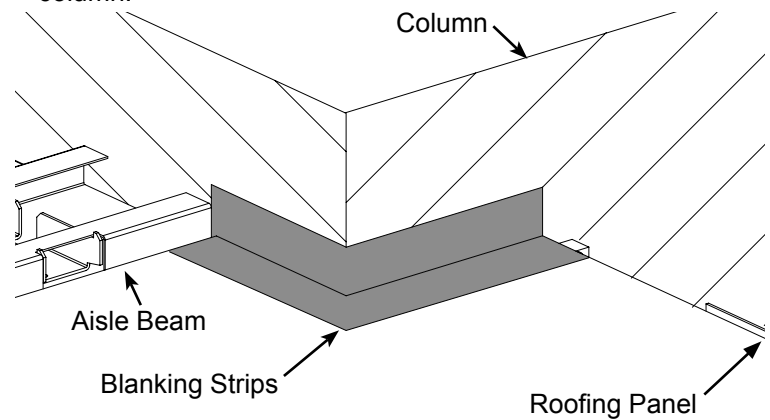
Cut & Install Roofing Panel

- Cut ceiling panel(s) around the building column.
NOTE: Cut panels with a sharp razor to avoid shards of plastic. Two roof panels may need to be cut around the building column. Secure the cut panel per UAC instruction sheet.



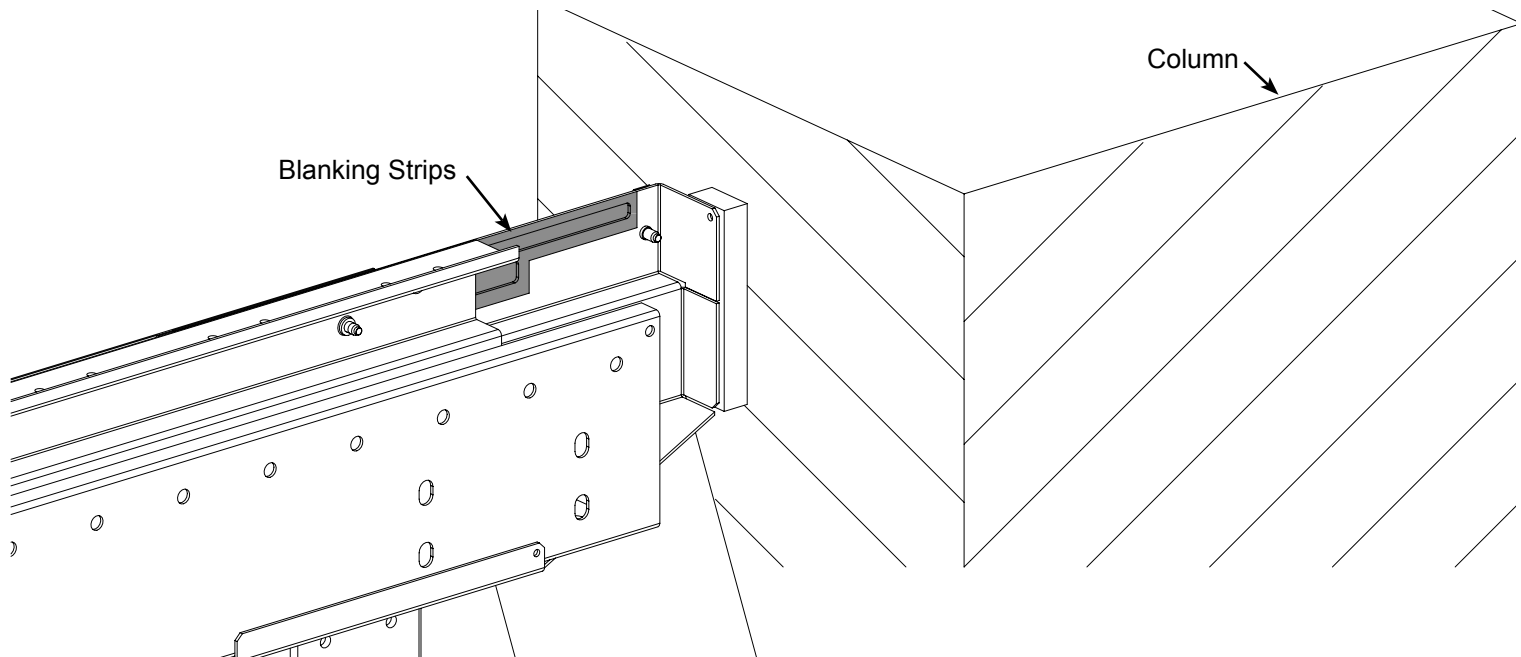
Install Aisle Beam & Blanking Strips

- Measure dimensions and location of column with respect to roofing aisle beam.
- Cut the beam such that it will fit around the column when it is attached to the wall beam at the other side of the aisle. The cut should be within 1/2" from the face of the column.
- Install Aisle Beam
- Install Blanking Foam Strips from Kit to seal the gaps created when cutting roof panels and beams around a column.



Install Remaining Blanking Strips

- Seal across the exposed slots on the vertical face of the Wall Beam Extension.
- Strips should also be bent to seal circled gap between Wall Beam Extension and Roofing Panel.



For Instructions in Local Languages
and Technical Support:

www.panduit.com/resources/install_maintain.asp

PANDUIT

www.panduit.com

E-mail:
techsupport@panduit.com

Phone:
866-405-6654