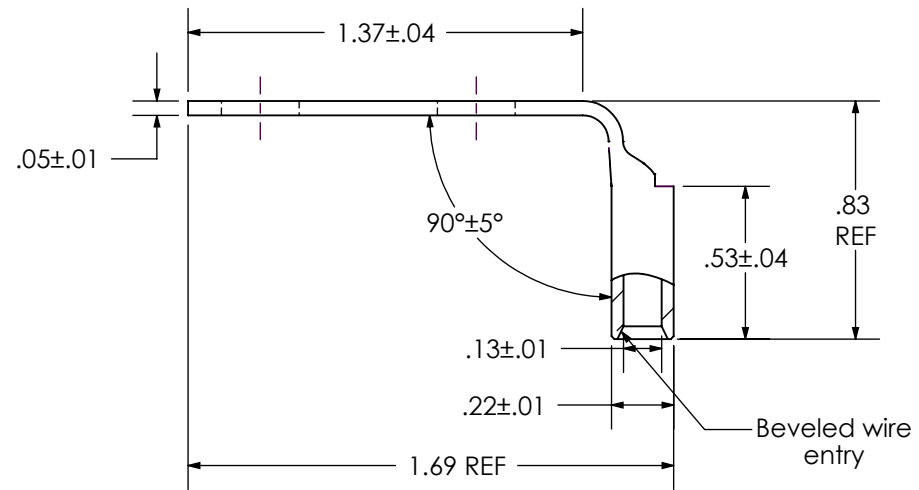
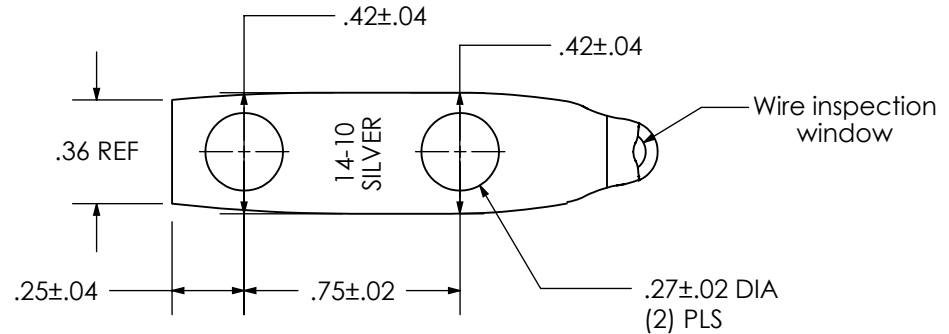


THIS COPY IS PROVIDED ON A RESTRICTED BASIS AND IS NOT TO BE USED IN ANY WAY DETRIMENTAL TO THE INTERESTS OF PANDUIT CORP.

|  |  |
|--|--|
| Material                                       | High Conductivity Seamless Copper Tube   |
| Plating  | Min .000050" Nickel underplate,<br>Min .000200" Silver plating   |
| Wire Size                                      | 14 - 10 AWG STR, 12 - 10 AWG SOL   |
| Wire Type                                      | Stranded Copper; Class B:<br>Compact, Compressed or Concentric, Class C: Concentric  |
| Wire Strip Length                              | 9/16 in.   |
| Stud Size                                      | 1/4 in.  |
| UL Listed Wire Connector                       | Yes, for applications up to 35kv. Consult cable manufacturer for voltage stress relief instructions with applications greater than 2000 volts. |
| UL Temperature Rating                          | 90° C  |
| C.S.A Certified Wire Connector                 | N/A  |
| Panduit Color Code on Barrel                   | N/A  |
| Panduit Die Index No. on Barrel                | N/A  |
| Alternate Industry Die Index No. ( ) on Barrel | N/A  |



NOTE: DIMENSIONS AND TOLERANCES ARE IN INCHES

**PANDUIT CORP.** TINLEY PARK, ILLINOIS

LCC10-14BWFNS-L  
Copper Lug - Two-Hole, Standard Barrel, 90° Angle Tongue

| 06  | 6-23 | JHNU | DAEI | MRWA | B. REVISED TONGUE SHAPE<br>A. ADDED TONGUE WIDTH DIMENSIONS | 129336 |
|-----|------|------|------|------|---|--------|
| REV | DATE | BY   | CHK  | APP  | DESCRIPTION   | ECN    |

|       |     |                       |                    |
|-------|-----|-----------------------|--------------------|
| SCALE | N/A | DRAWING NO / CAD FILE | LCC10-14BWFNS-CUST |
|-------|-----|-----------------------|--------------------|