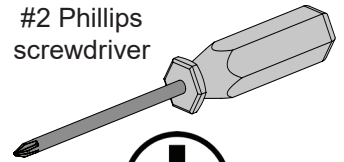


Tool List



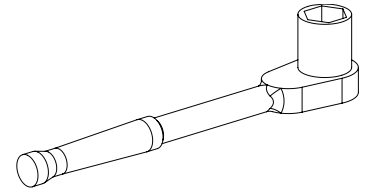
#2 Phillips
screwdriver



3/32" Hex Wrench

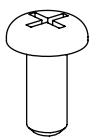
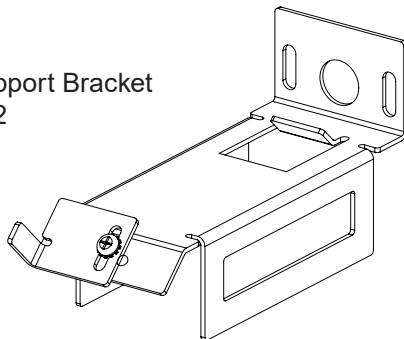


7/16" Socket Wrench



FDFLMBKT6 - Components included

Lower Trough Support Bracket
Qty: 2

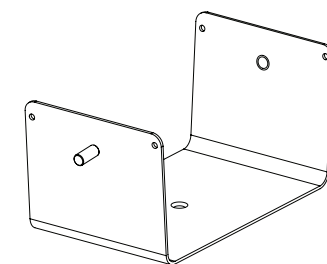


#12-24 x 1/2
Pan Head screw
Qty: 4

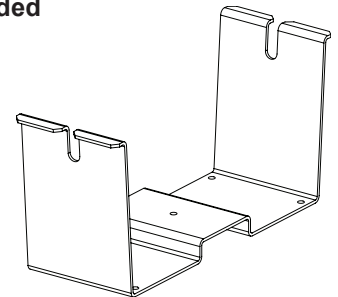


#12 Tooth Lockwasher
Qty: 4

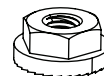
FRESPKT6 - Components included



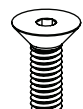
6x4 FIBERRUNNER™
Lower Trough Inner Coupler
Qty: 1



6x4 FIBERRUNNER™
Lower Trough Outer Coupler
Qty: 1



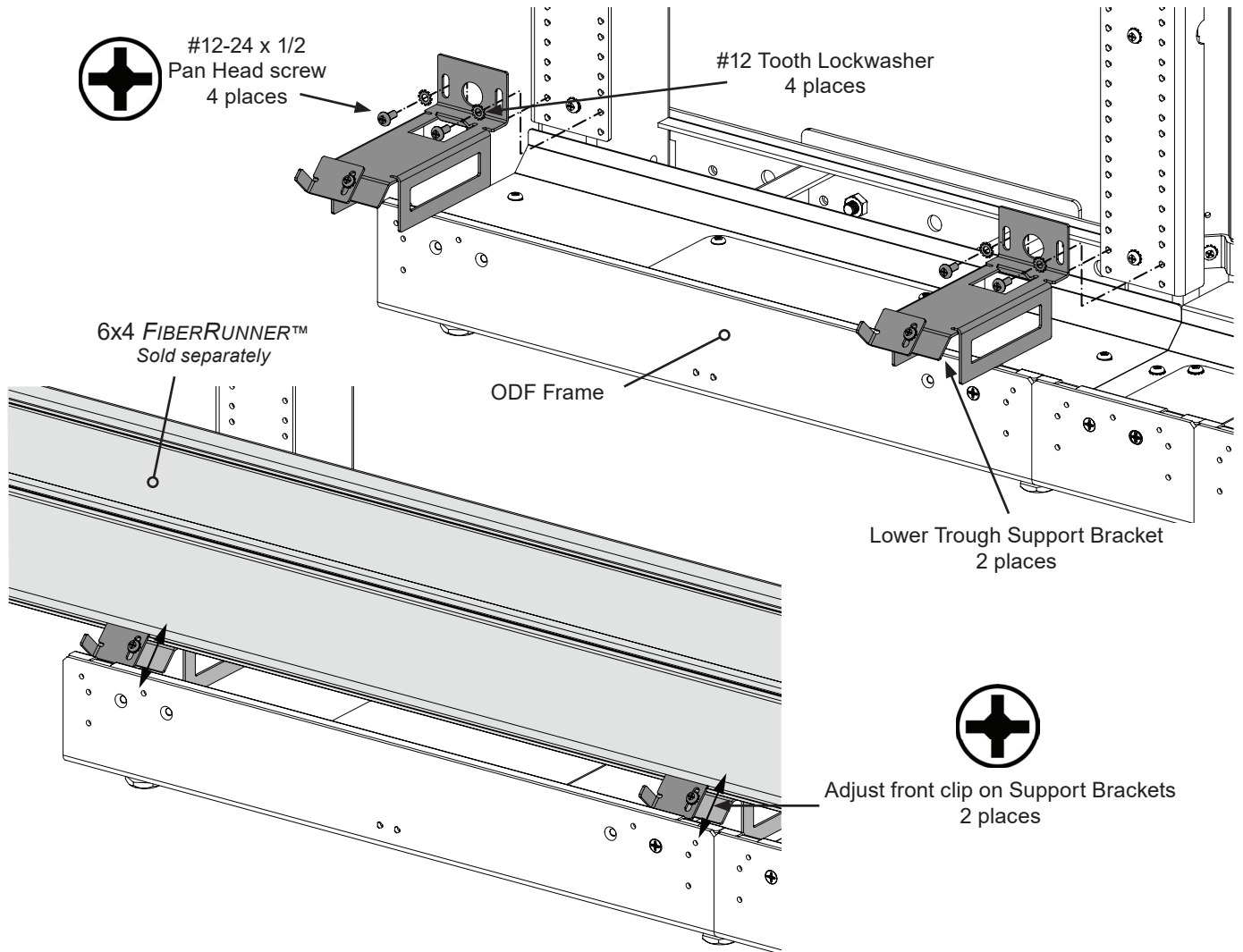
1/4-20
Serrated Flange Hex Nut
Qty: 2



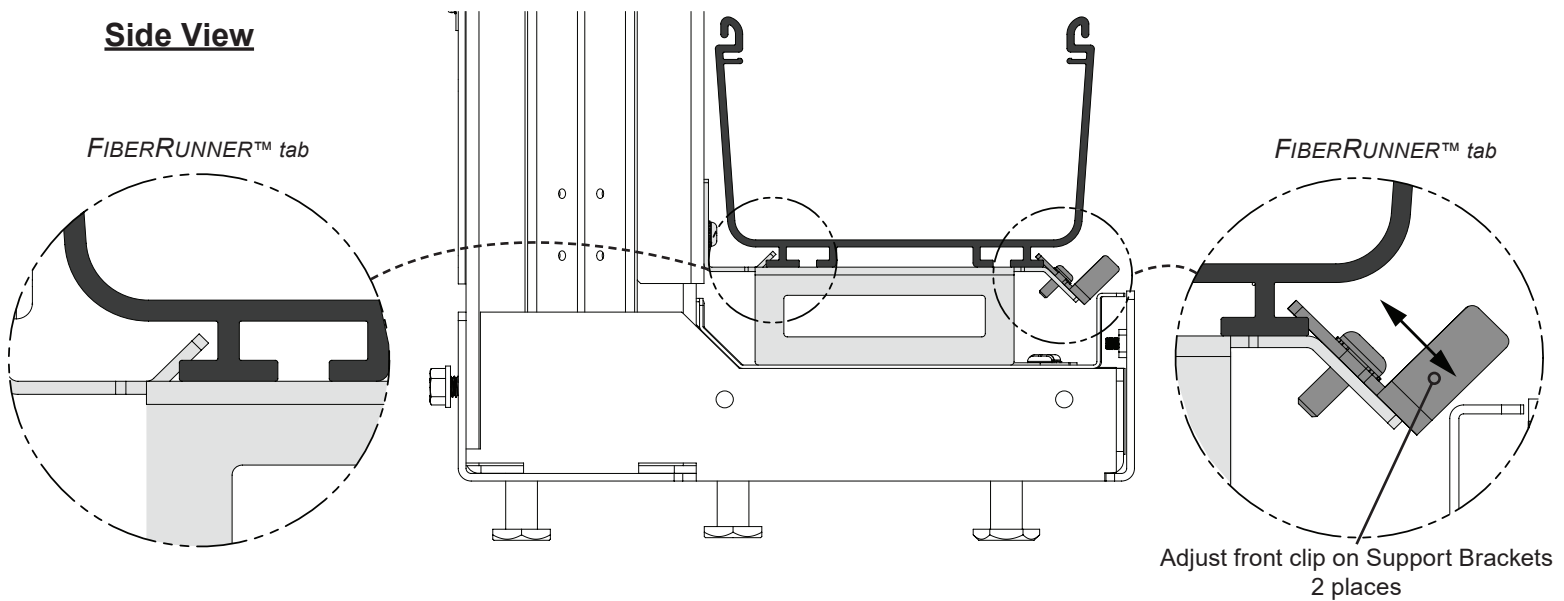
#8-32
Flat Head Cap Screw
Qty: 1

Installation of Lower Trough Support Brackets

- Install 2 Brackets to each FlexCore™ Frame(s) contained in user's configuration
- Install 6x4 *FIBERRUNNER™* (not included) on top of the Support Brackets, ensuring the Bracket clip engages *FIBERRUNNER™* tab
- Adjust front clip on Support Brackets to engages *FIBERRUNNER™* tab



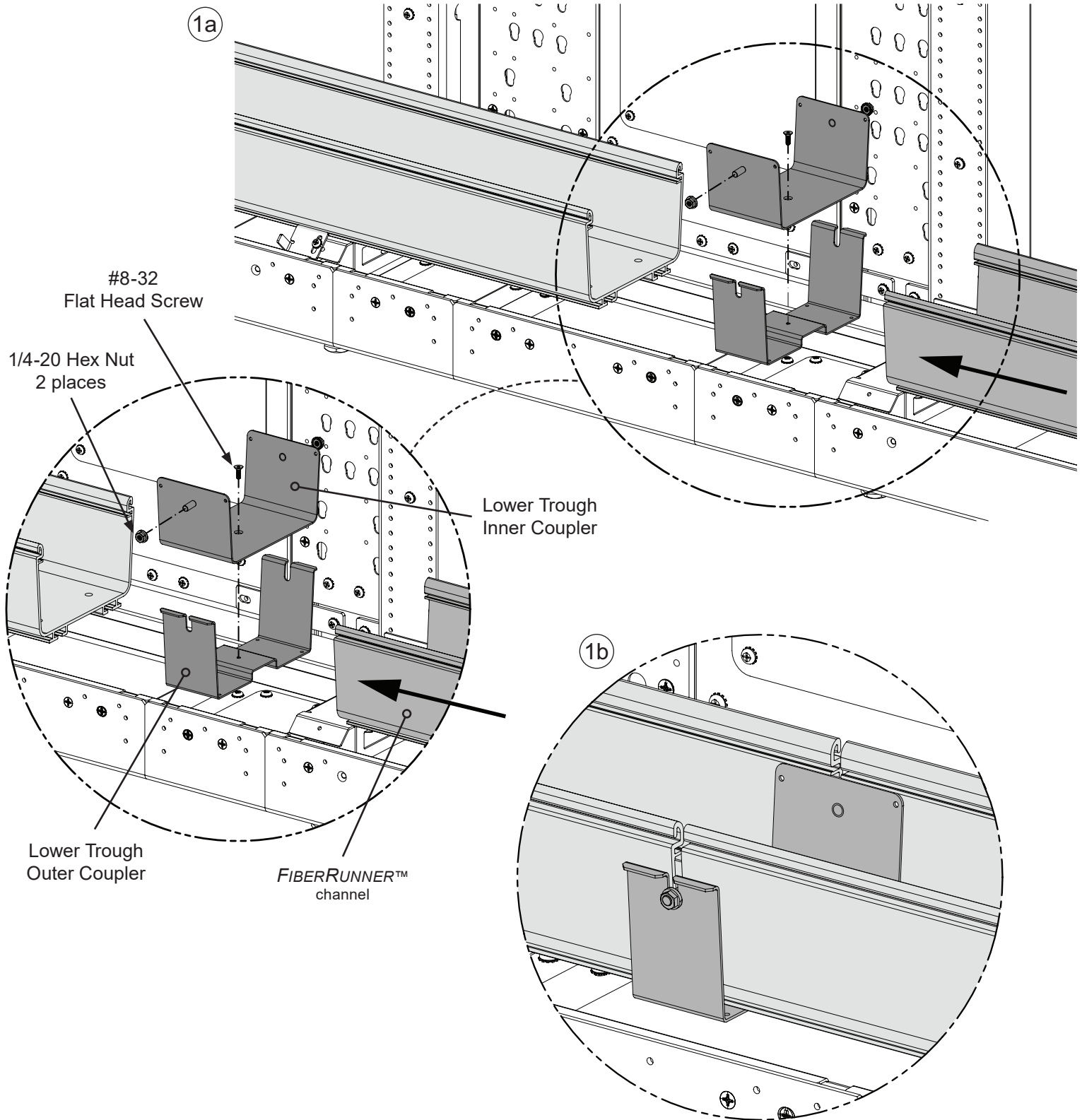
Side View



For Technical Support: www.panduit.com

Installation of Lower Trough 6x4 *FIBERRUNNER™* Coupler

- Install a Coupler to join 2 sections of 6x4 *FIBERRUNNER™* channel together
- Couplers can be installed anywhere in system with the exception of where Lower Trough Support Brackets are located



For Instructions in Local Languages
and Technical Support:

www.panduit.com

PANDUIT
www.panduit.com

E-mail:
techsupport@panduit.com

Phone:
866-405-6654