

Mini-Com[®] Executive Series Faceplates

specifications

Faceplates shall be available in 1, 2, 4, and 6-port single gang and 10-port double gang with label and label cover for easy identification. Each faceplate shall accept Mini-Com[®] Modules for UTP, STP, fiber optic, and audio/video that snap in and out. Executive Series faceplates shall have a raised profile for an aesthetic appearance.



technical information

Mounting options:	Screw holes with retention tabs, spaced for single and double gang openings; compatible with Panduit wall board adapters
Packaging:	Supplied with two 1" long, #6 – 32 slotted head screws, labels and label covers; faceplates packaged one per bag, ten per box Eco packaging supplied with 10 faceplates, 20 mounting screws in a paper envelope, 20 labels and 20 label covers in paper envelope

key features and benefits

Modular	Accepts all Mini-Com [®] Modules which snap in and out for easy moves, adds, and changes
Identification	Includes built-in label pocket for easy identification
Various port densities	Provides design flexibility
Slotted screw holes	Allows faceplate to be adjusted to ensure proper alignment
Eco packaging	Select product with plastic packaging removed, easy access to all components while reducing waste

applications

Mini-Com[®] Executive Series Faceplates are compatible with standard size single gang and double gang junction boxes. Faceplates can also be mounted to wall board adapters and raceway mounting brackets. When using executive series faceplates with Panduit surface raceway, color matching is guaranteed. Labeling of executive series faceplates is easy with enclosed write-on

labels, or with Panduit computer printable labels. If labels are not needed, matching screw covers can be used to conceal the screws and will mount flush with the faceplate for a clean look.

Eco packaging available for select product, provides easy access to the product and components while reducing waste.

Single Gang Faceplates

1-port:	CFPE1IWY*
2-port:	CFPE2IWY*
4-port:	CFPE4IWY*
6-port[^]:	CFPE6IWY*

Eco Packaging

2-port:	CFPE2IW-X
2-port:	CFPE2WH-X
4-port:	CFPE4IW-X
4-port:	CFPE4WH-X

Label Options for Single Gang Faceplates

Laser/ink jet:	C195X040Y1J
Panther[™] LS8E:	C195X040Y1C

Double Gang Faceplates

10-port:	CFPE10IW-2GY*
-----------------	---------------

Label Options for Double Gang Faceplates

Laser/ink jet:	C288X040Y1J
Panther[™] LS8E:	C288X040Y1C

Wall Board Adapters

Single gang:	MWBA1
---------------------	-------

Accessories

Replacement label and screw cover (single gang):	EFPK-XY
---	---------

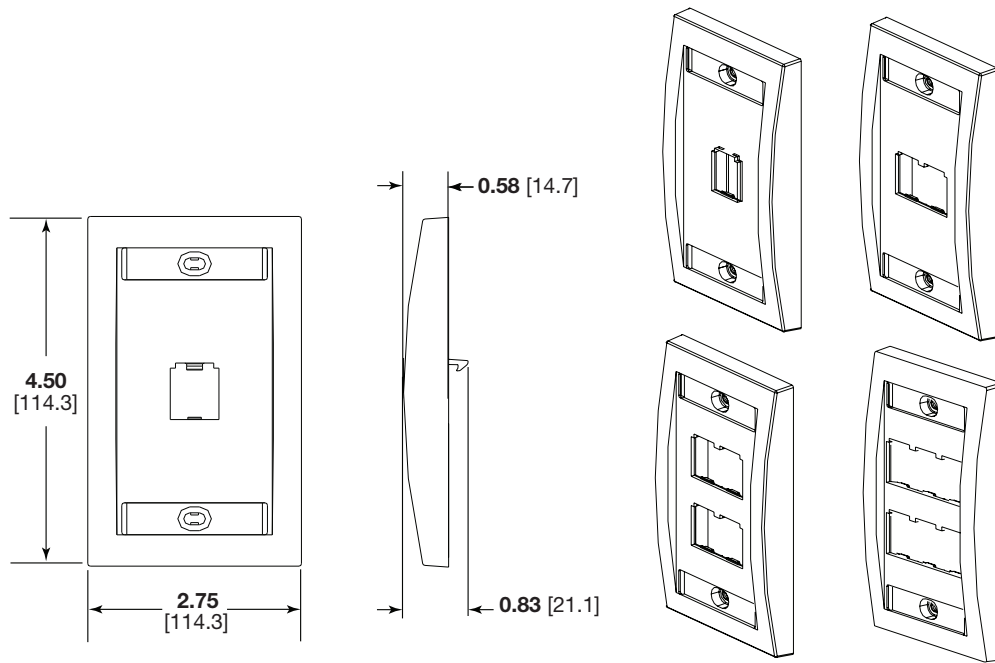
Replacement label and screw cover (double gang):	EFPK102G-XY
---	-------------

*For other colors, replace suffix IW (Off White) with EI (Electric Ivory), WH (White), or IG (International Gray).

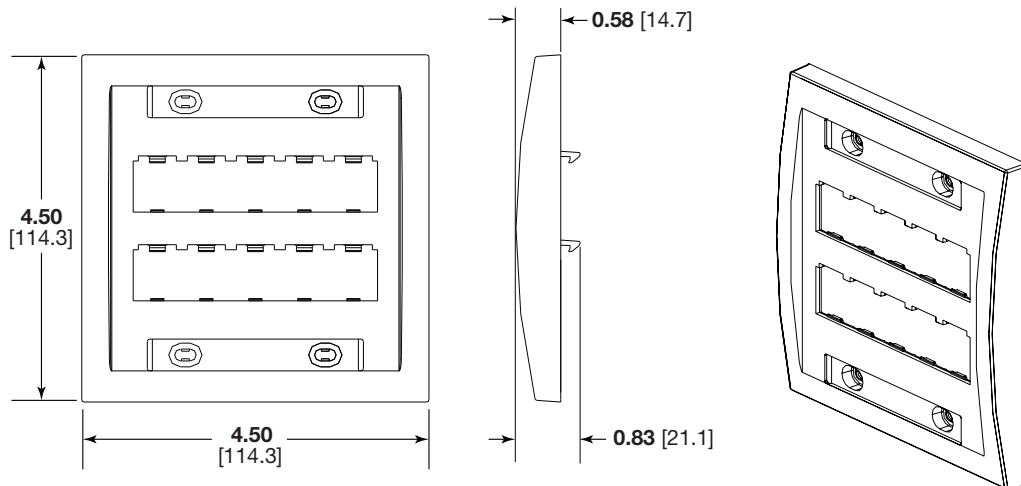
[^]6-port, single gang faceplates must be installed on a 1.9" wide (or wider) electrical back box.

Mini-Com® Executive Series Faceplates

single gang faceplates



double gang faceplates



Dimensions are in inches. [Dimensions in brackets are metric].

WORLDWIDE SUBSIDIARIES AND SALES OFFICES

PANDUIT US/CANADA
Phone: 800.777.3300

PANDUIT EUROPE LTD.
London, UK
Phone: 44.20.8601.7200

PANDUIT SINGAPORE PTE. LTD.
Republic of Singapore
Phone: 65.6305.7575

PANDUIT JAPAN
Tokyo, Japan
Phone: 81.3.6863.6000

PANDUIT LATIN AMERICA
Guadalajara, Mexico
Phone: 52.33.3777.6000

PANDUIT AUSTRALIA PTY. LTD.
Victoria, Australia
Phone: 61.3.9794.9020

For a copy of Panduit product warranties, log on to www.panduit.com/warranty

PANDUIT®

For more information
Visit us at www.panduit.com
Contact Customer Service by email: cs@panduit.com
or by phone: 800.777.3300

© 2022 Panduit Corp.
ALL RIGHTS RESERVED.
OTSP21--WW-ENG
2/2022