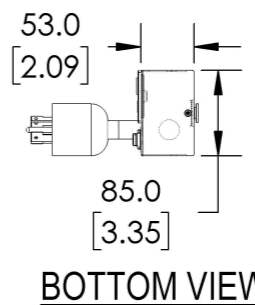
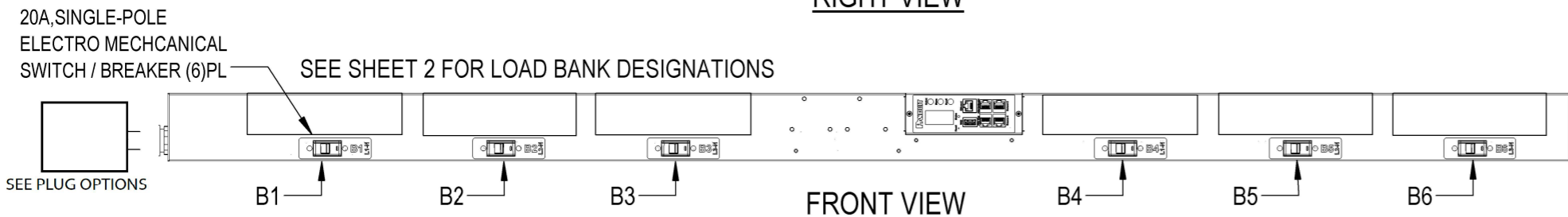
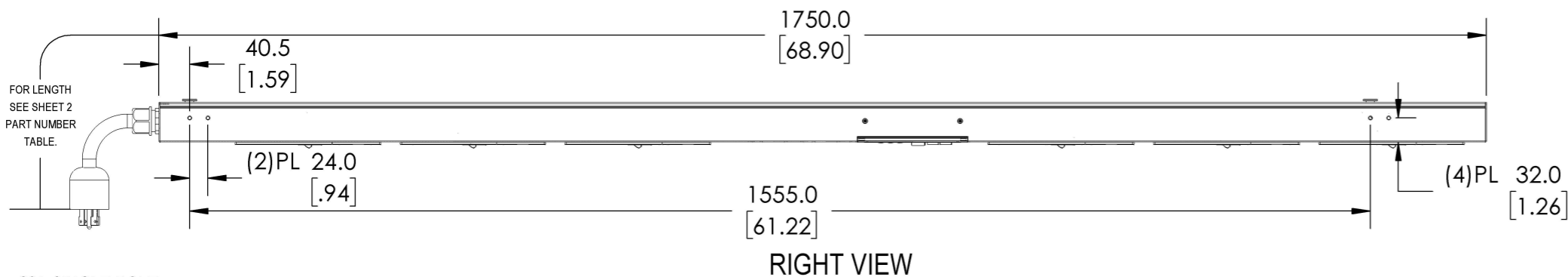
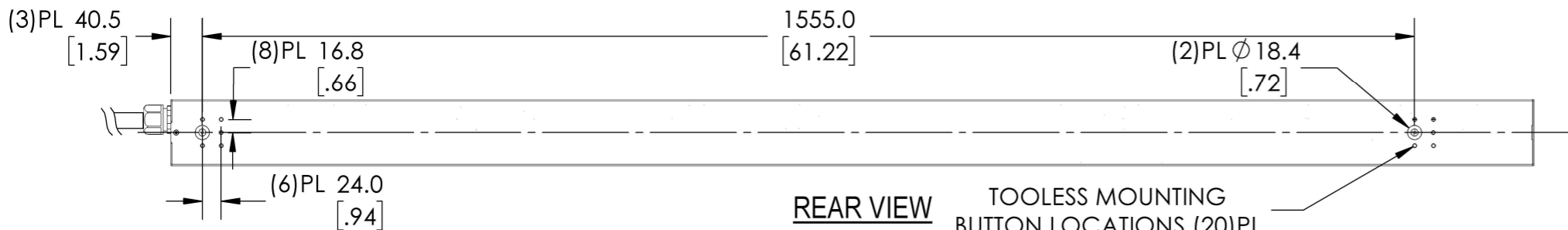
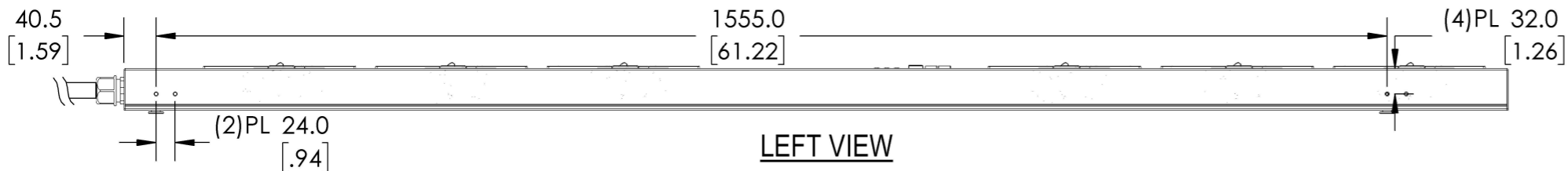


THIS COPY IS PROVIDED ON A RESTRICTED BASIS AND IS NOT TO BE USED IN ANY WAY DETRIMENTAL TO THE INTERESTS OF PANDUIT CORP.

PANDUIT P/N	WEIGHT
P36F##M-XYZ	SEE SHEET 2



SPECIFICATION:

- | | |
|--|--|
| <ol style="list-style-type: none"> STANDARD UNIT TYPE: MONITORED OUTLET VERTICAL, 0U FULL, WIDE ORIENTATION: SEE SHEET 2 FOR CONFIGURATIONS OUTLET QTY & TYPE: 30A (24A DERATED) INPUT VOLTAGE: 200-240/346-415VAC INPUT CURRENT: 30A (24A DERATED) BREAKER QTY & TYPE: (6) 20A, SINGLE POLE INPUT PHASE: THREE-PHASE WYE RATED POWER: 17.3 kVA INPUT PLUG: SEE SHEET 2 FOR CONFIGURATIONS INPUT POWER CORD: SEE SHEET 2 FOR PART NUMBER TABLE | <p>REGULATORY STANDARD: RoHS COMPLIANT</p> |
|--|--|

2. ADDITIONAL:
CIRCUIT BREAKERS RATED AT 10KAIC

3. ACCESSORIES:
(1) QUICK-START GUIDE

NOTES:

- PRIMARY DIMENSIONS ARE IN MILLIMETERS. SECONDARY DIMENSIONS ARE IN [INCHES]
- INSTALLATION SHALL COMPLY WITH ALL APPLICABLE NATIONAL, STATE, AND LOCAL CODES
- VISIT OUR ON-LINE CATALOG AT WWW.PANDUIT.COM FOR A CURRENT LIST OF PRODUCTS APPLICABLE FOR USE WITH THIS PRODUCT
- FOR FULL PRODUCT FUNCTIONALITY REFER TO USER MANUAL
- DRAWING VIEWS SHOW THE INPUT CORD IN THE "TOP END FED" CONFIGURATION

IDENTIFICATION

FOR FINISHED GOOD PART NUMBER & DESCRIPTION TABLE SEE SHEET 2 CONFIGURABLE PART NUMBERS: **P36F##M - XYZ**

XX: FINISHED GOOD COLOR BL = BLACK YL = YELLOW RD = RED BU = BLUE WH = WHITE GN = GREEN	Y: INPUT FEED TYPE 1 = TOP-END FED 2 = BOTTOM-END FED	Z: INPUT CORD LENGTH A = 1 METER B = 2 METER C = 3 METER
---	--	--

FOUR CHARACTER SUFFIX FOR ALTERNATE PRODUCT CONFIGURATIONS

PLUG/ RECEPTACLE BLOCK

	IEC 60309, 4P 5W, 6H IP67 (WATERTIGHT) 30A, 346-415V MAX RATED INPUT 24A DERATED		IEC 60320/C19 16A, 250V MAX RATED OUTPUT
	IEC 60309, 4P 5W, 6H IP44 (SPASHPROOF) 30A, 346-415V MAX RATED INPUT 24A DERATED		IEC 60320/C13 10A, 250V MAX RATED OUTPUT
	NEMA L22-30P, 4P 5W 30A, 277-480V MAX RATED INPUT 24A DERATED		

WE ASK THAT YOU CHECK FULLY THE DIMENSIONS, NOTES, AND SIGN THE CLIENT SIGNATURE BOX. THE JOB WILL NOT PROGRESS WITHOUT SIGNED APPROVAL. PLEASE DO NOT DELAY IN RETURNING PROOF AS IT WILL AFFECT DELIVERY.

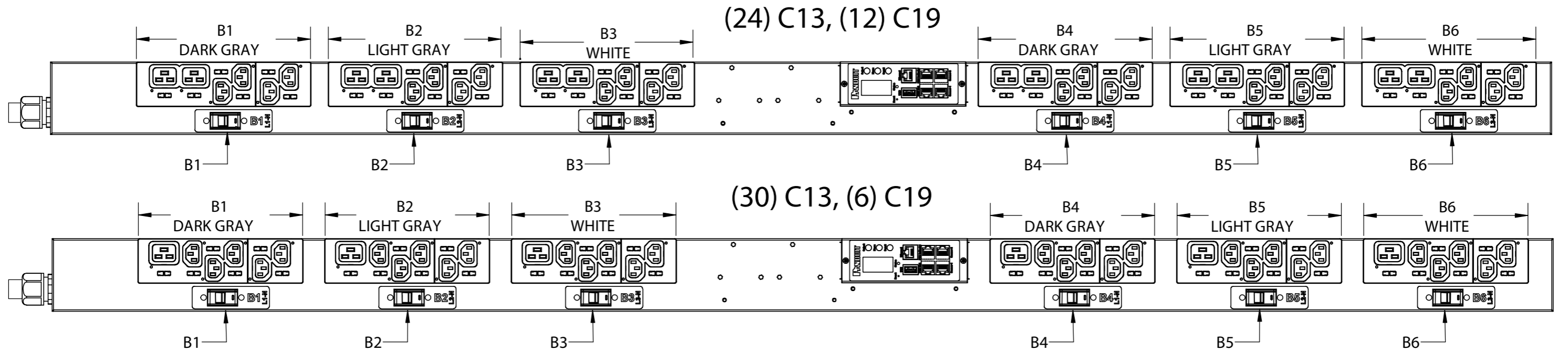
SIGN	
DATE	
PRINT	

TITLE		INTELLIGENT SERIES PDU											
		P36F##M-XYZ											
		CUSTOMER DRAWING											
ITEM REVISION NAME													
DATASET FILE NAME													
UNLESS OTHERWISE SPECIFIED, DIMENSIONAL TOLERANCES ARE: mm [IN]		MATERIAL:											
Tolerance (mm)		DRAWING NUMBER: P36F_DC											
<table border="1"> <tr> <td>c<L≤50</td> <td>±0.5</td> </tr> <tr> <td>50<L≤250</td> <td>±1.0</td> </tr> <tr> <td>250<L≤500</td> <td>±1.5</td> </tr> <tr> <td>500<L≤1000</td> <td>±2.5</td> </tr> <tr> <td>1000<L≤2000</td> <td>±4.0</td> </tr> </table>		c<L≤50	±0.5	50<L≤250	±1.0	250<L≤500	±1.5	500<L≤1000	±2.5	1000<L≤2000	±4.0	THIRD ANGLE PROJECTION	
c<L≤50	±0.5												
50<L≤250	±1.0												
250<L≤500	±1.5												
500<L≤1000	±2.5												
1000<L≤2000	±4.0												
BY	DATE	CHK	SCALE										
WAC	03/08/2019	-	NTS										
SHEET 1 OF 2		SIZE B											

01A	03/08/2019	WAC	DACU	JAWI	RELEASED TO PRODUCTION	P36F
REV	DATE	BY	CHK	APR	DESCRIPTION	ECN

D1010005/17

FINISHED GOOD PART NUMBER	FINISHED GOOD DESCRIPTION	INPUT PLUG CONFIGURATION	RECEPTACLE CONFIGURATION	COLOR	INPUT CORD LENGTH	WEIGHT
P36F06M	VERTICAL, (30)C13, (6)C19, MONITORED OUTLET, 200-240/346-415V/30A/3 PHASE WYE, TOP-END FED, 3 METER INPUT CORD, BLACK	L22-30P 30A 4P, 5W	(30)C13, (6)C19	BLACK (RAL 9005)	3M(+254MM/-127MM) 10' [+10"/-5"]	10.8KG
P36F03M	VERTICAL, (30)C13, (6)C19, MONITORED OUTLET, 200-240/346-415V/30A/3 PHASE WYE, TOP-END FED, 3 METER INPUT CORD, BLACK	IEC60309 30A 4P, 5W, IP67 (WATERTIGHT)	(30)C13, (6)C19	BLACK (RAL 9005)	3M(+254MM/-127MM) 10' [+10"/-5"]	10.8KG
P36F05M	VERTICAL, (30)C13, (6)C19, MONITORED OUTLET, 200-240/346-415V/30A/3 PHASE WYE, TOP-END FED, 3 METER INPUT CORD, BLACK	IEC60309 30A 4P, 5W, IP44 (SPASHPROOF)	(30)C13, (6)C19	BLACK (RAL 9005)	3M(+254MM/-127MM) 10' [+10"/-5"]	10.8KG
P36F02M	VERTICAL, (24) C13, (12) C19, MONITORED OUTLET, 200-240/346-415V/30A/3 PHASE WYE, TOP-END FED, 3 METER INPUT CORD, BLACK	L22-30P 30A 4P, 5W	(24) C13, (12) C19	BLACK (RAL 9005)	3M(+254MM/-127MM) 10' [+10"/-5"]	10.8KG
P36F01M	VERTICAL, (24) C13, (12) C19, MONITORED OUTLET, 200-240/346-415V/30A/3 PHASE WYE, TOP-END FED, 3 METER INPUT CORD, BLACK	IEC60309 30A 4P, 5W, IP67 (WATERTIGHT)	(24) C13, (12) C19	BLACK (RAL 9005)	3M(+254MM/-127MM) 10' [+10"/-5"]	10.8KG
P36F04M	VERTICAL, (24) C13, (12) C19, MONITORED OUTLET, 200-240/346-415V/30A/3 PHASE WYE, TOP-END FED, 3 METER INPUT CORD, BLACK	IEC60309 30A 4P, 5W, IP44 (SPASHPROOF)	(24) C13, (12) C19	BLACK (RAL 9005)	3M(+254MM/-127MM) 10' [+10"/-5"]	10.8KG



WE ASK THAT YOU CHECK FULLY THE DIMENSIONS, NOTES, AND SIGN THE CLIENT SIGNATURE BOX. THE JOB WILL NOT PROGRESS WITHOUT SIGNED APPROVAL. PLEASE DO NOT DELAY IN RETURNING PROOF AS IT WILL AFFECT DELIVERY.

SIGN	
DATE	
PRINT	

01A	03/07/2019	WAC	DACU	JAWI	RELEASED TO PRODUCTION				P36F
REV	DATE	BY	CHK	APR	DESCRIPTION				ECN

TITLE
**INTELLIGENT SERIES PDU
P36F##M-XXYZ**

CUSTOMER DRAWING

ITEM REVISION NAME

DATASET FILE NAME

UNLESS OTHERWISE SPECIFIED, DIMENSIONAL TOLERANCES ARE: mm [IN]

Tolerance (mm)

0<L≤50	±0.5
50<L≤250	±1.0
250<L≤500	±1.5
500<L≤1000	±2.5
1000<L≤2000	±4.0

THIRD ANGLE PROJECTION

MATERIAL:

DRAWING NUMBER: **P36F_DC**

BY	DATE	CHK	SCALE
WAC	3/08/2019	-	NTS

SHEET 2 OF 2

SIZE **B**

01010008/17