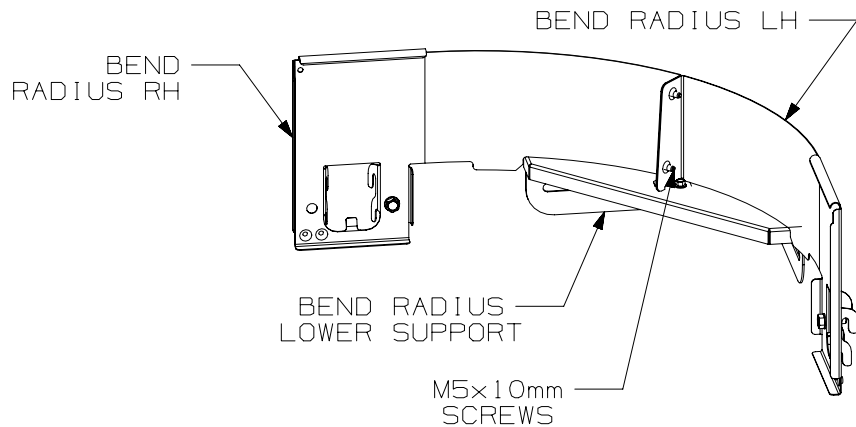
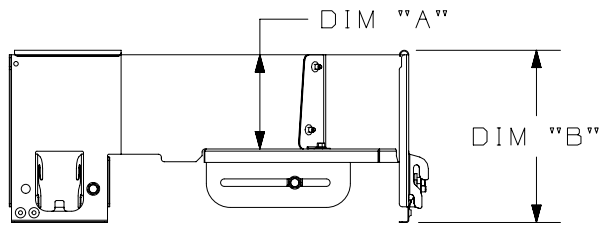
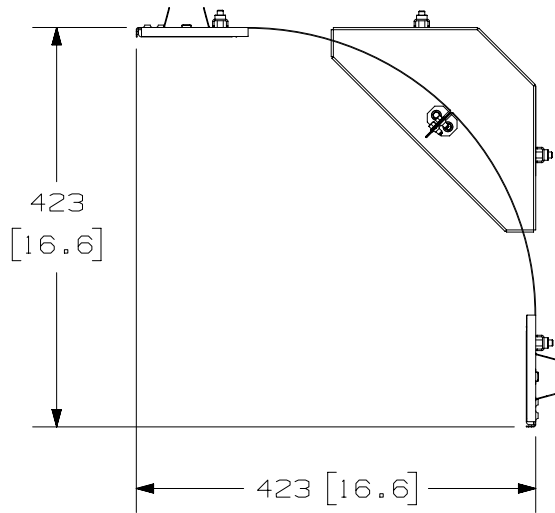


THIS COPY IS PROVIDED ON A RESTRICTED BASIS AND IS NOT TO BE USED IN ANY WAY DETRIMENTAL TO THE INTERESTS OF PANDUIT CORP.



TRUSS BOLT CLIP ASSEMBLY

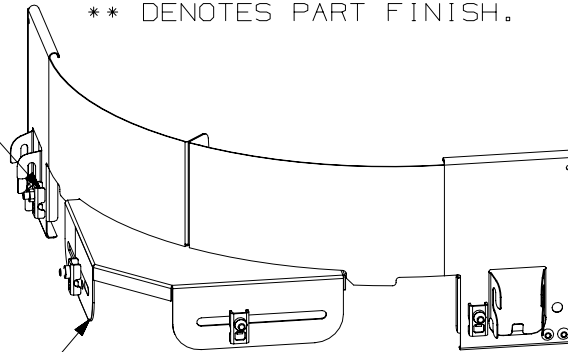
1/4-20x0.75 SERRATED HEAD SCREW

NOTES

- SEE CATALOG FOR ADDITIONAL PART NUMBER SUFFIXES TO INDICATE PART FINISHES.
- PARTS SUPPLIED:
 - (1) BEND RADIUS RH
 - (1) BEND RADIUS LH
 - (1) BEND RADIUS LOWER SUPPORT
 - (4) TRUSS BOLT CLIP ASSEMBLY
 - (4) 1/4-20x0.75" SERRATED HEAD SCREWS
 - (4) M5x10mm SCREWS
 - (1) OPTIONAL GROUNDING ACCESSORY GACBJ6*U (NOT SHOWN)
 - (1) INSTRUCTION SHEET (NOT SHOWN)
- PRIMARY DIMENSIONS ARE IN MILLIMETERS.

PANDUIT PART NO.	WEIGHT	DIM "A"	DIM "B"
WG12IBRC2**	1.42 kg 3.15 LBS	51 [2.0]	131 [5.2]
WG12IBRC4**	1.52 kg 3.35 LBS	102 [4.0]	182 [7.2]
WG12IBRC6**	1.65 kg 3.65 LBS	152 [6.0]	233 [9.2]

** DENOTES PART FINISH.



TITLE			
WYR-GRID 12" INTERSECTION BEND RADIUS CONTROL 2, 4 & 6 (WG12IBRCx**)			
CUSTOMER DRAWING			
ITEM REVISION NAME		00360NBA/00	
DATASET FILE NAME		00360NBA_DC/00A	
		PANDUIT	
		MATERIAL: N/A	
		DRAWING NUMBER: 00360NBA-DC	
		THIRD ANGLE PROJECTION	
DRAWN BY	DATE	CHK	SCALE
MEX-JAGC	4/30/19	FWI	NONE
REV	DATE	BY	CHK
00A	4/30/19	MEX-JAGC	FWI
DESCRIPTION		DRAWING RELEASE	
		V09001YG/00	
DESCRIPTION		ECN	
SHT 1 OF 1		A	

N\GLOBAL_AS\SIZE