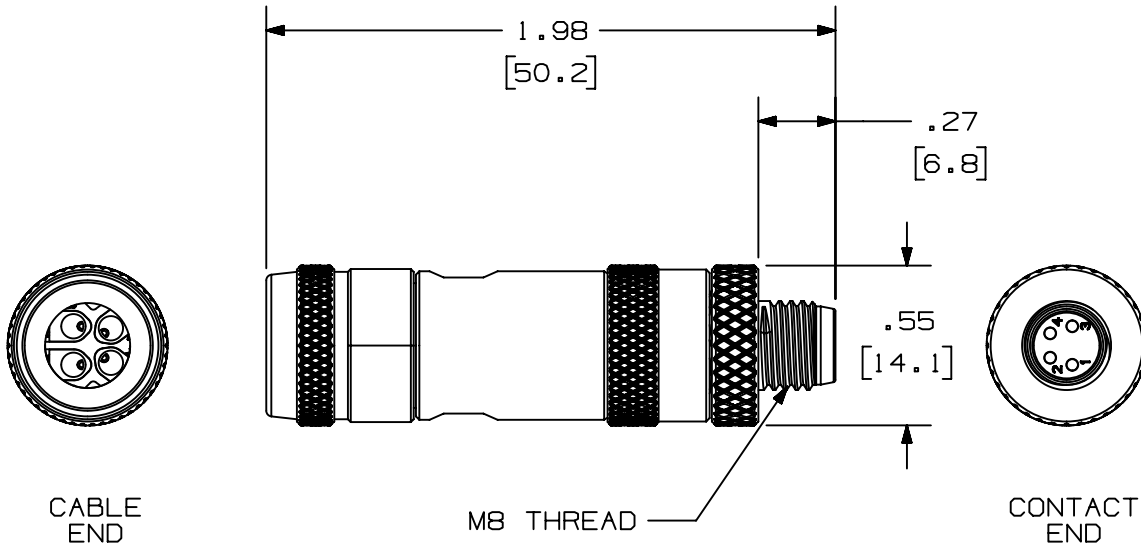
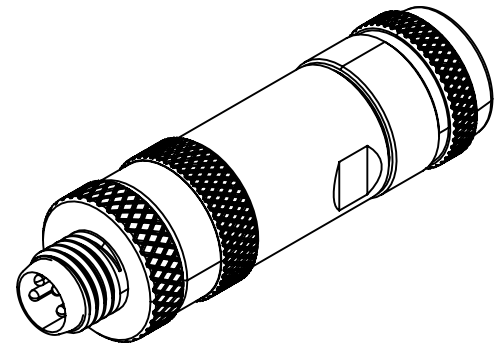


THIS COPY IS PROVIDED ON A RESTRICTED BASIS AND IS NOT TO BE USED IN ANY WAY DETRIMENTAL TO THE INTERESTS OF PANDUIT CORP.



- NOTES:
- CONSTRUCTED TO MEET THE CONNECTOR STANDARDS:
 - IEC 61076-2-104-2008
 - IEC 60529, ISO-20653
 - ANSI/TIA-568.5 (tentative)
 - ANSI/TIA-568.7D (tentative)
 - c(UL)us MEETS UL2238
 - CAN/CSA C22-2 No.182.4-M90,1990
 - ELECTRICAL:
 - WORKING VOLTAGE: 30V
 - WORKING CURRENT: 3A
 - NUMBERS OF CONTACTS: 4
 - CONTACT RESISTANCE: 10mΩ
 - CONTACT GENDER: PIN
 - MECHANICAL:
 - CONNECTOR BODY: 12mm HEXAGONAL WRENCH
 - CONDUCTORS: SMALL FLAT HEAD SCREW DRIVER
 - MATERIALS:
 - CONNECTOR BODY: PA66+GF or TPU
 - CONNECTOR CONTACTS: BRASS WITH GOLD PLATING
 - COUPLINGS SCREW BRASS WITH NICKEL PLATING
 - MATING CYCLES: >100
 - IEC60529 IP67 PROTECTION CANNOT BE USED PERMANENTLY UNDER WATER.
 - WEIGHT: 1.2 lbs./100 PCS (544.3g/10 PCS)
 - ENVIRONMENTAL:
 - PRODUCT AND PACKAGING MUST COMPLY TO PANDUIT SPECIFICATION FOR CHEMICAL SUBSTANCES TO BE CONTROLLED IN PANDUIT PRODUCT AND PACKAGING C2-0843 AND APPENDICIES C2-0835.
 - OPERATING TEMPERATURE: -25° C to +85° C (-40° F to +185° F)
 - STORAGE TEMPERATURE: -40° C to +85° C (-40° F to +185° F)
 - CABLE CONSTRUCTION ACCEPTANCE:
 - CONDUCTOR DIAMETER: 23 - 18AWG (1.0mm² MAX)
 - CABLE OUTSIDE DIAMETER: 5mm - 7.2mm (0.2" - 0.283")



PART NUMBER		SP-18SA42BL		
TITLE		M8 MALE 4-PIN A-CODE FIELD TERMINATED CONNECTOR - SP-18SA42BL		
ITEM REVISION NAME		00943EMA/02		
DATASET FILE NAME		00943EMA_DC/02A		
MATERIAL		N/A		
DRAWING NUMBER		00943EMA-DC		
DRAWN BY		DATE	CHK	SCALE
JBO		1/5/23	DAJP	NONE
SHEET 1 OF 1		A		

A-SIZE CUSTOMER

02A	1/5/23	JBO	DAJP	SKH	INITIAL RELEASE	00943EMA-DC
REV	DATE	BY	CHK	APR	DESCRIPTION	ECN