

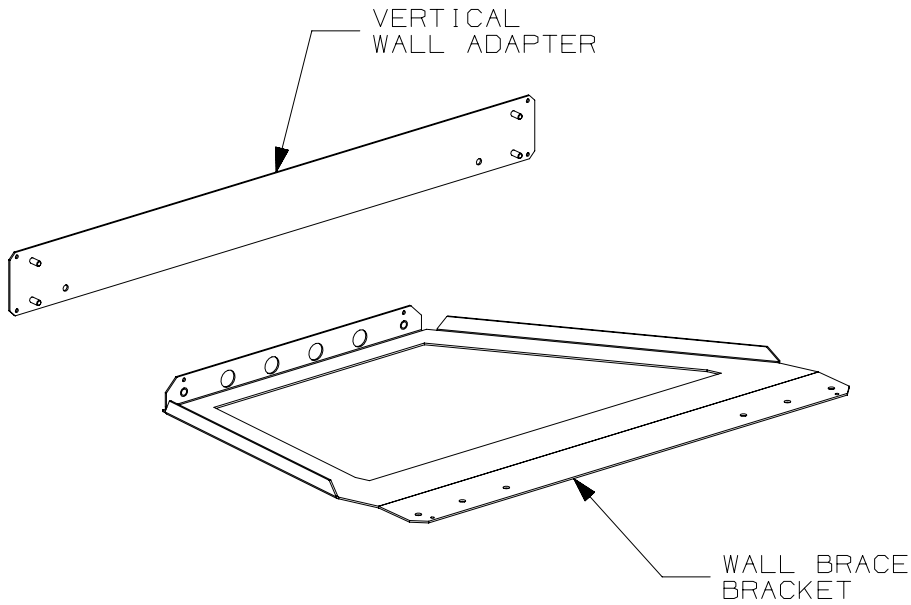
THIS COPY IS PROVIDED ON A RESTRICTED BASIS AND IS NOT TO BE USED IN ANY WAY DETRIMENTAL TO THE INTERESTS OF PANDUIT CORP.

PANDUIT P/N	DESCRIPTION	WEIGHT
CUSRVWA06**	NET-CONTAIN USRC-VERTICAL WALL ADAPTER 600mm WIDE	1.98 Kg (4.4 LBS)
CUSRVWA07**	NET-CONTAIN USCR-VERTICAL WALL ADAPTER 700mm WIDE	2.29 Kg (5.0 LBS)
CUSRVWA08**	NET-CONTAIN USRC-VERTICAL WALL ADAPTER 800mm WIDE	2.36 Kg (5.2 LBS)

\*\* DENOTES COLOR - ADD SUFFIX:  
"B1" FOR BLACK AND "W1" FOR WHITE

NOTES:

- VISIT OUR ONLINE CATALOG AT [WWW.PANDUIT.COM](http://WWW.PANDUIT.COM) FOR A LIST OF CURRENT PARTS APPLICABLE FOR USE WITH THIS PRODUCT.
- PARTS SUPPLIED:
  - 1 - VERTICAL WALL ADAPTER
  - 1 - WALL BRACE BRACKET
  - 1 - HARDWARE KIT (NOT SHOWN)
  - 1 - INSTRUCTION SHEET
- PRIMARY DIMENSIONS ARE IN MILLIMETERS.



REV	DATE	BY	CHK	APR	DESCRIPTION	ECN
00B	4/3/18	LEE	WAB		A. DIM A (SHT 2) FOR CUSRVWA08** ENGLISH CONVERSION WAS INCORRECT	V09001RE
00A	1/6/16	MEX-JAGC	WAB		RELEASED TO PRODUCTION	V09000PB

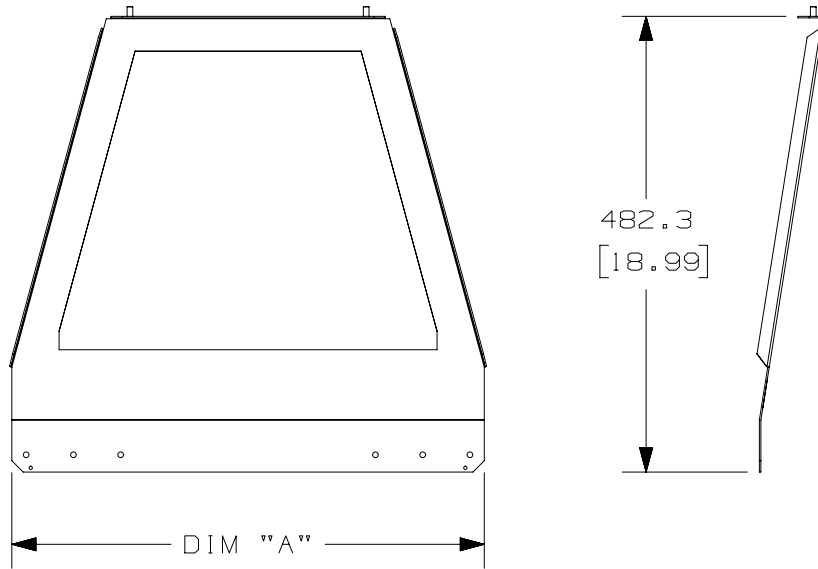
TITLE <b>NET-CONTAIN USRC VERTICAL WALL ADAPTERS FINISHED GOOD (CUSRVWA0***)</b>						
CUSTOMER DRAWING						
ITEM REVISION NAME 14V467NH/00					<b>PANDUIT</b>	
DATASET FILE NAME 14V467NH_DC/00B						
MATERIAL: N/A					DRAWING NUMBER: 14V467NH-DC	
DRAWN BY MEX-JAGC	DATE 1/6/16	CHK WAB	SCALE NONE	SHT 1 OF 2		SIZE A

D10100DA/16

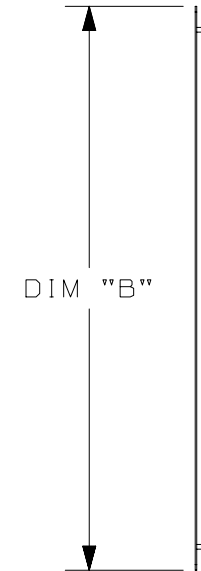
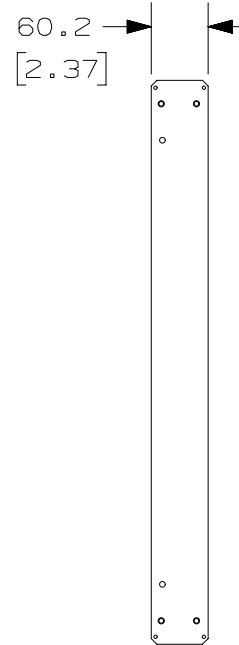
THIS COPY IS PROVIDED ON A RESTRICTED BASIS AND IS NOT TO BE USED IN ANY WAY DETRIMENTAL TO THE INTERESTS OF PANDUIT CORP.

PANDUIT P/N	DIM "A"	DIM "B"
CUSRVWA06**	500 (19.69)	596.8 (23.50)
CUSRVWA07**	600 (23.62)	696.8 (27.43)
CUSRVWA08**	600 (23.62)	796.8 (31.37)

\*\* DENOTES COLOR - ADD SUFFIX:  
"B1" FOR BLACK AND "W1" FOR WHITE



WALL BRACE BRACKET



VERTICAL WALL ADAPTER

TITLE		MATERIAL:										
NET-CONTAIN USRC VERTICAL WALL ADAPTERS FINISHED GOOD (CUSRVWA0***)		N/A										
CUSTOMER DRAWING		DRAWING NUMBER: 14V467NH-DC										
ITEM REVISION NAME	14V467NH/00	<b>PANDUIT</b>										
DATASET FILE NAME	14V467NH_DC/00B											
REV	DATE	BY	CHK	APR	DESCRIPTION	ECN	DRAWN BY	DATE	CHK	SCALE	SHT 2 OF 2	SIZE
00B	5/1/18	LEE	WAB		SEE SHEET 1 OF 2 FOR REVISIONS	V09001RE	MEX-JAGC	1/6/16	WAB	NONE		A
00A	1/6/16	MEX-JAGC	WAB		SEE SHEET 1 OF 2 FOR REVISIONS	V09000PB						

D10100DA/16