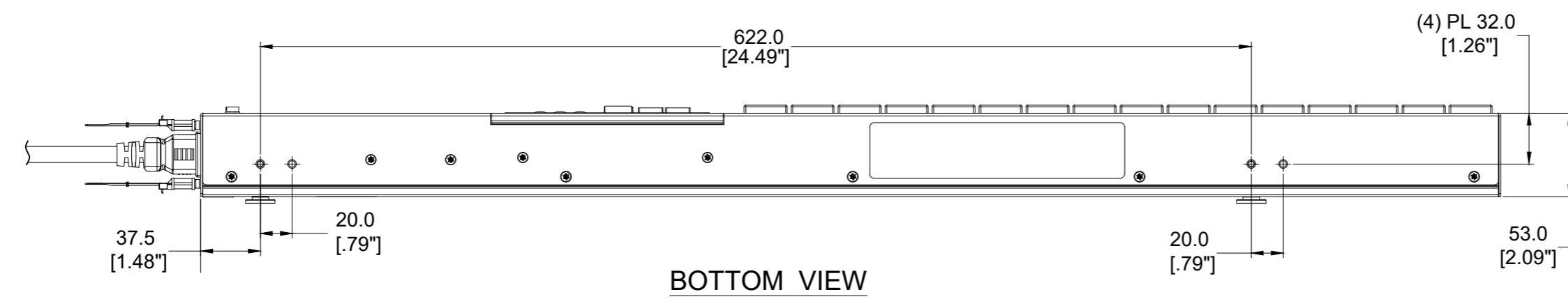


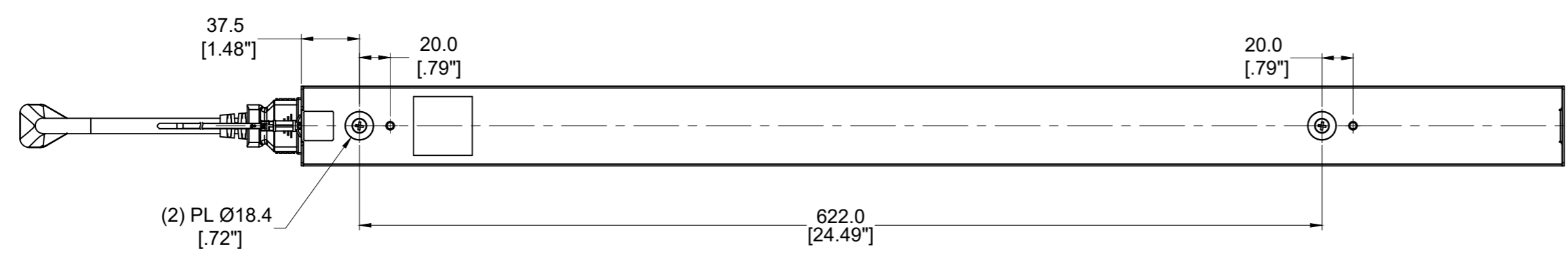
2

1

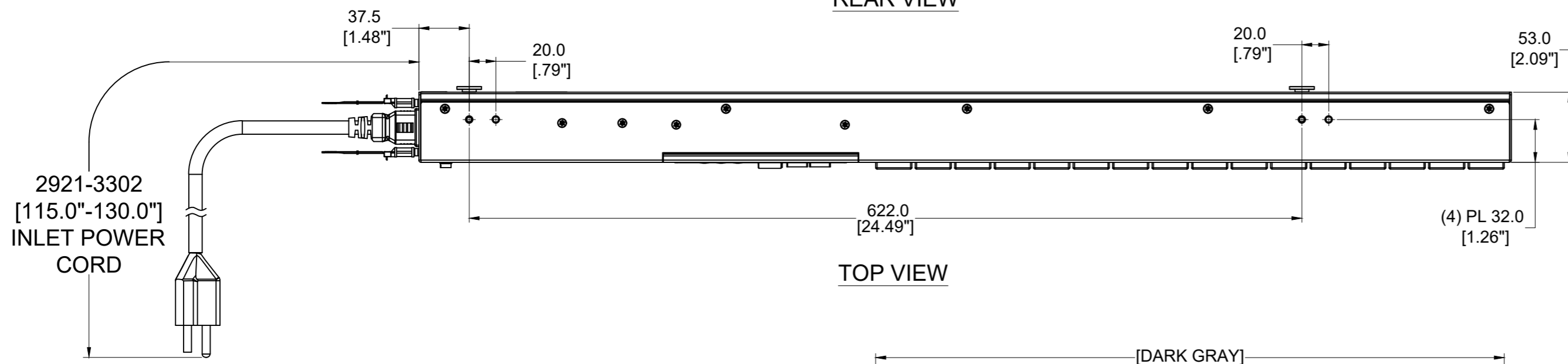
PANDUIT P/N	WEIGHT
P16D20G	SEE SHEET 2



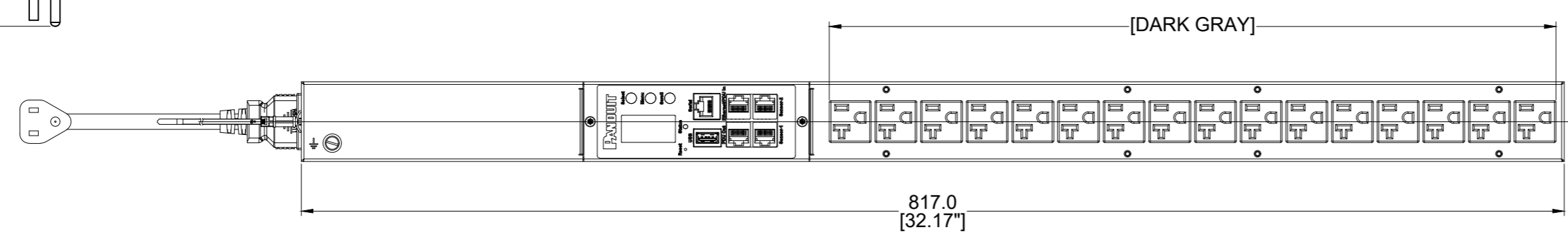
BOTTOM VIEW



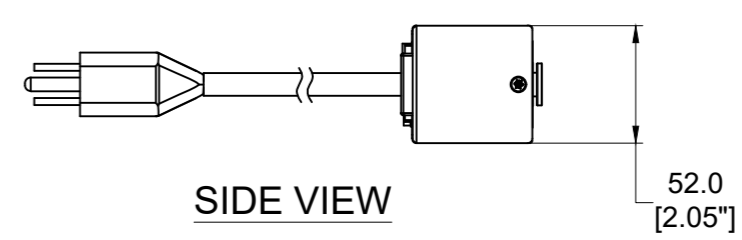
REAR VIEW



TOP VIEW



FRONT VIEW



SIDE VIEW

SPECIFICATION:

- 1. STANDARD
 - UNIT TYPE: MONITORED INPUT
 - ORIENTATION: VERTICAL, HALF
 - OUTLET QTY & TYPE: (16) 5-20R
 - INPUT VOLTAGE: 100-120VAC
 - INPUT CURRENT: 15A (12A DERATED)
 - BREAKER QTY & TYPE: N/A
 - INPUT PHASE: SINGLE-PHASE
 - RATED POWER: 1.4kVA
 - INPUT PLUG: NEMA 5-15P
 - INPUT POWER CORD: 3m [10'], TOP FEED
 - REGULATORY STANDARD: RoHS COMPLIANT
- 2. ADDITIONAL:
 - THE G6 CONTROLLER IS NOT BACKWARDS COMPATIBLE WITH ANY LEGACY CONTROLLERS
- 3. ACCESSORIES:
 - DOCUMENTATION KIT
 - PRODUCT SAFETY WARNING SHEET

NOTE:

1. PRIMARY DIMENSIONS ARE IN MILLIMETERS. SECONDARY DIMENSION ARE IN INCHES
2. INSTALLATION SHALL COMPLY WITH ALL APPLICABLE NATIONAL, STATE, AND LOCAL CODES
3. VISIT OUR ON-LINE CATALOG AT WWW.PANDUIT.COM FOR A CURRENT LIST OF PRODUCTS APPLICABLE FOR USE WITH THIS PART
4. FOR FULL PRODUCT FUNCTIONALITY REFER TO USER MANUAL

IDENTIFICATION

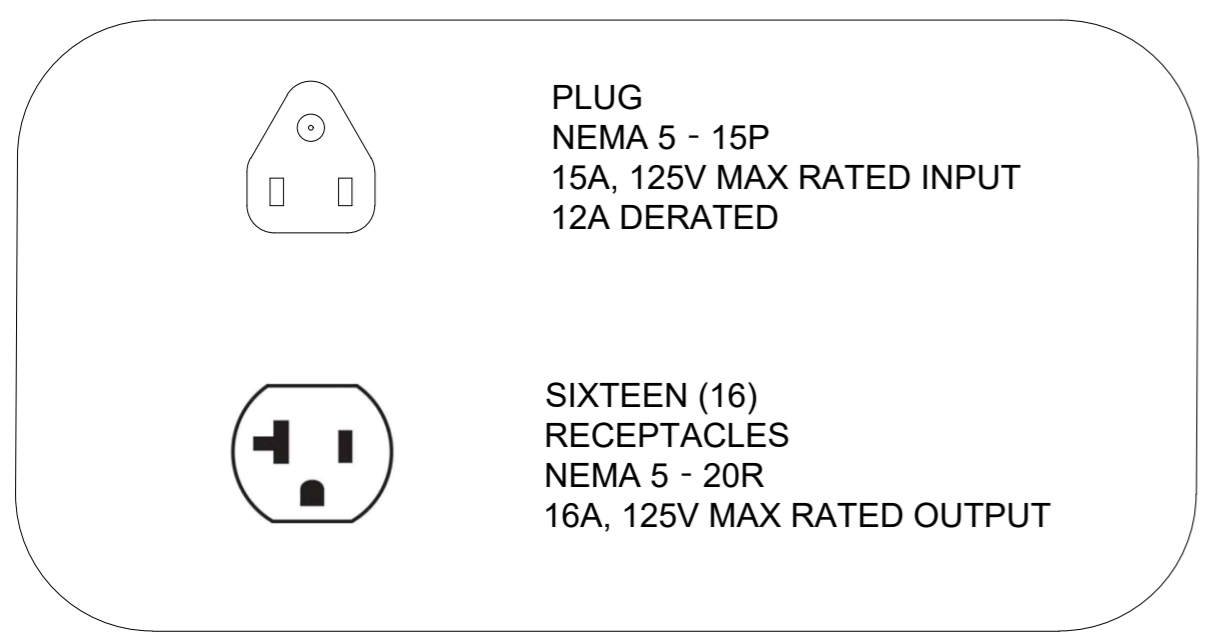
PART NUMBER	DESCRIPTION
P16D20G	G6 MI PDU, 15AMP, (16)5-20R, NEMA 5-15P-3M, TOP FED, BLACK

B

B

A

A



REV	DATE	BY	CHK	APR	DESCRIPTION	ECN
00A	09/26/2023	LWB	CSH	MJD	INITIAL RELEASE	P16D20G

WE ASK THAT YOU CHECK FULLY THE DIMENSIONS, NOTES, AND SIGN THE CLIENT SIGNATURE BOX. THE JOB WILL NOT PROGRESS WITHOUT SIGNED APPROVAL. PLEASE DO NOT DELAY IN RETURNING PROOF AS IT WILL AFFECT DELIVERY.

SIGN _____
DATE _____
PRINT _____

TITLE: INTELLIGENT SERIES PDU
P16D20G
CUSTOMER DRAWING

ITEM REVISION NAME: _____
DATASHEET FILE NAME: _____

UNLESS OTHERWISE SPECIFIED
DIMENSIONAL TOLERANCE ARE: mm [IN]

Tolerance(mm) [IN]
0<=50 ±0.5
50<=250 ±1.0
250<=500 ±1.5
500<=1000 ±2.5
1000<=2000 ±4.0

MATERIAL/COLOR: N/A

DRAWING NUMBER: P16D20G_DC

THIRD ANGLE PROJECTION

DRAWN BY: LWB DATE: 09/26/2023 CHK: SEAN SCALE: NONE

SHT 1 OF 2 SCALE: B

2

1

2



1

THIS COPY IS PROVIDED ON A RESTRICTED BASIS AND IS NOT TO BE USED IN ANY WAY DETRIMENTAL TO THE INTERESTS OF PANDUIT CORP.

FINISHED GOOD PART NUMBER	FINISHED GOOD DESCRIPTION	COLOR	INPUT CORD LENGTH	WEIGHT
P16D20G	G6 MI PDU, 15AMP, (16) 5-20R, NEMA 5-15P-3M, TOP FED, BLACK	BLACK (RAL 9005)	3M(+254MM-127MM) 10'[+10''-5"]	4.5kg

B

B



A

A

REV	DATE	BY	CHK	APR	DESCRIPTION	ECN
00A	09/26/2023	LWB	CSH	MJD	INITIAL RELEASE	P16D20G

WE ASK THAT YOU CHECK FULLY THE DIMENSIONS, NOTES, AND SIGN THE CLIENT SIGNATURE BOX. THE JOB WILL NOT PROGRESS WITHOUT SIGNED APPROVAL. PLEASE DO NOT DELAY IN RETURNING PROOF AS IT WILL AFFECT DELIVERY		SIGN																		
		DATE																		
		PRINT																		
TITLE INTELLIGENT SERIES PDU P16D20G CUSTOMER DRAWING																				
ITEM REVISION NAME																				
DATASHEET FILE NAME:																				
UNLESS OTHERWISE SPECIFIED DIMENSIONAL TOLERANCE ARE: mm [IN]		MATERIAL/COLOR:																		
<table border="0"> <tr> <td></td> <td>Tolerance(mm)</td> <td></td> </tr> <tr> <td>0<L<50</td> <td>±0.5</td> <td></td> </tr> <tr> <td>50<L<250</td> <td>±1.0</td> <td></td> </tr> <tr> <td>250<L<500</td> <td>±1.5</td> <td></td> </tr> <tr> <td>500<L<1000</td> <td>±2.5</td> <td></td> </tr> <tr> <td>1000<L<2000</td> <td>±4.0</td> <td></td> </tr> </table>			Tolerance(mm)		0<L<50	±0.5		50<L<250	±1.0		250<L<500	±1.5		500<L<1000	±2.5		1000<L<2000	±4.0		N/A
	Tolerance(mm)																			
0<L<50	±0.5																			
50<L<250	±1.0																			
250<L<500	±1.5																			
500<L<1000	±2.5																			
1000<L<2000	±4.0																			
THIRD ANGLE PROJECTION		DRAWING NUMBER: P16D20G_DC																		
DRAWN BY	DATE	SCALE																		
LWB	09/26/2023	NONE																		
CHK	SEAN																			
SHT 2 OF 2		SCALE B																		

2



1