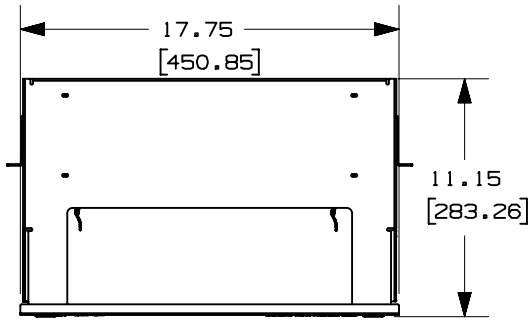


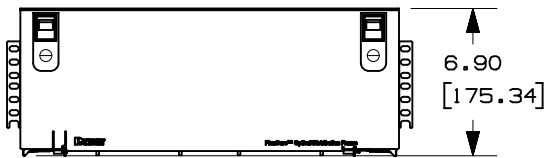
2

1

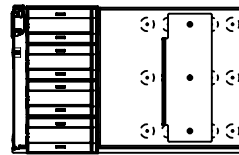
THIS COPY IS PROVIDED ON A RESTRICTED BASIS AND IS NOT TO BE USED IN ANY WAY DETRIMENTAL TO THE INTERESTS OF PANDUIT CORP.



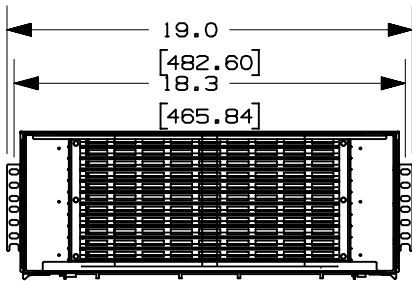
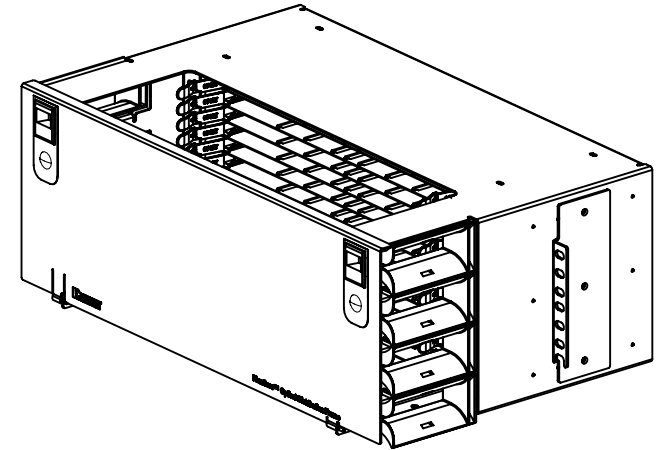
TOP VIEW



FRONT VIEW



SIDE VIEW



REAR VIEW

PANDUIT PART NO.	COLOR	WEIGHT
FDFUPN4GY	GRAY	18lbs (8.2kg)
FDFUPN4BL	BLACK	18lbs (8.2kg)

TITLE		FLEXCORE 4RU FRONT-ACCESS PATCH PANEL	
ITEM REVISION NAME		CUSTOMER DRAWING	
00815EY1/02			
DATASET FILE NAME		00815EY1_DC/02A	
UNLESS OTHERWISE SPECIFIED, DIMENSIONAL TOLERANCES ARE: IN [mm]		PART NO.	
DIMENSIONS ARE FOR REFERENCE ONLY		SEE TABLE	
DRAWING NUMBER:		00815EY1-DC	
DRAWN BY		SCALE	
SAT		1 : 8	
DATE		SHT 1 OF 1	
08-02-23		A	
CHK			
ACBR			

02A	08-02-23	SAT	ACBR	ANJA	INITIAL RELEASE	00815EY1-DC
REV	DATE	BY	CHK	APR	DESCRIPTION	ECN

2

1