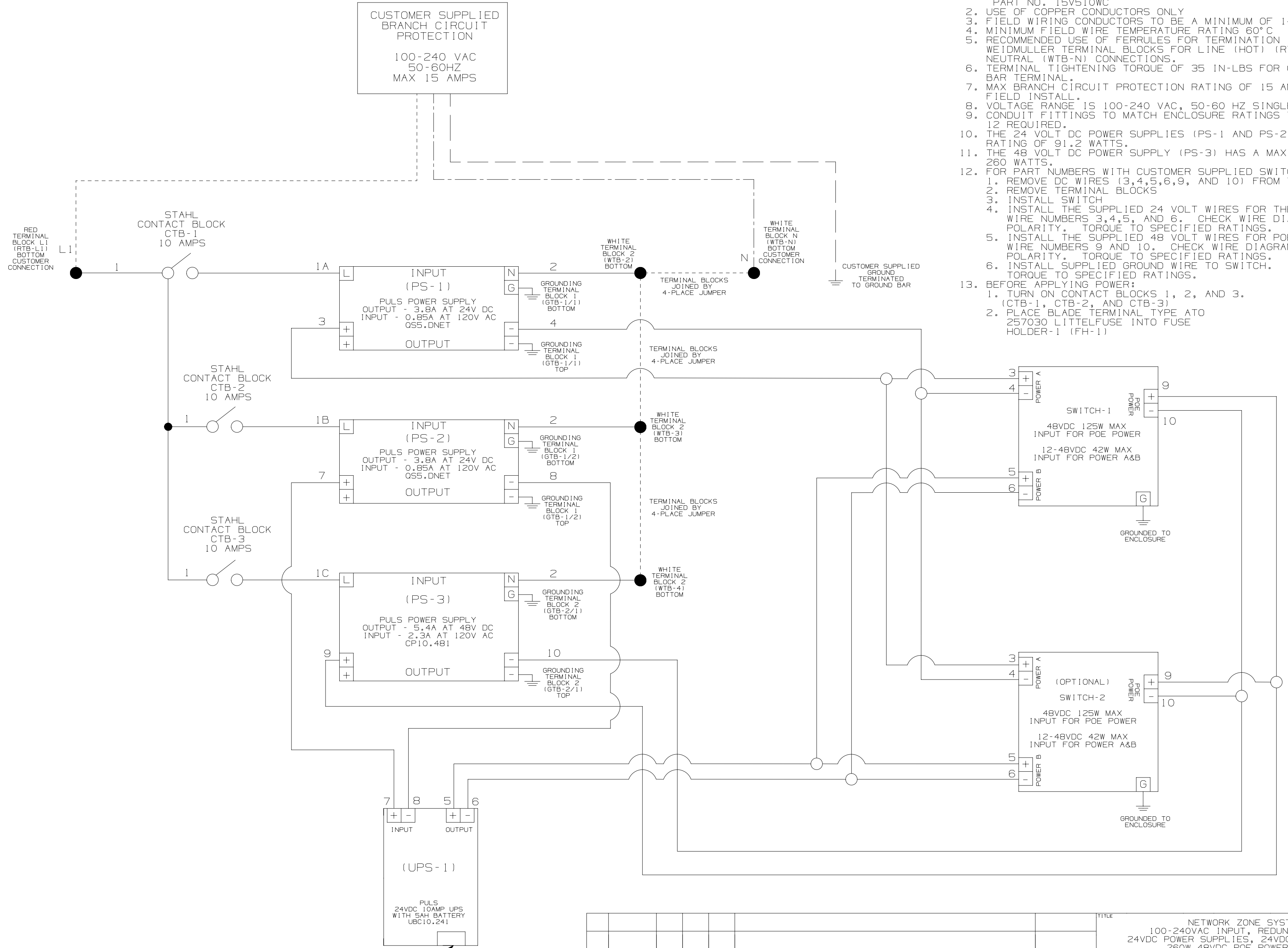


# FOR POE SWITCHES WITH 6 POWER INPUT TERMINALS



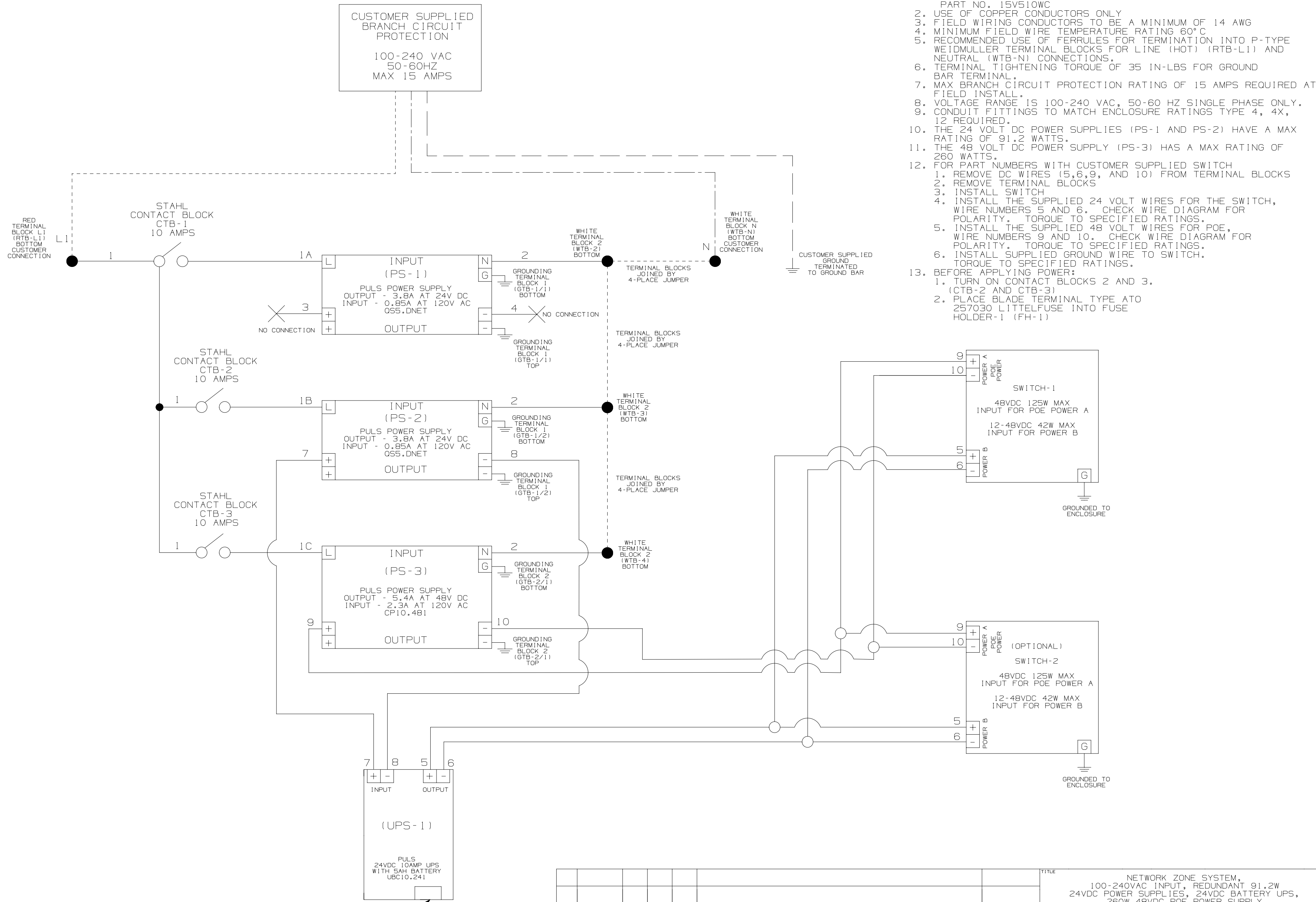
**NOTES:**

- IDENTIFICATION:  
NETWORK ZONE SYSTEM, 100-240VAC INPUT, REDUNDANT 91.2W 24VDC POWER SUPPLIES, 24VDC BATTERY UPS, 260W 48VDC POE POWER SUPPLY, FIELD WIRING DIAGRAM PART NO. 15V510WC
- USE OF COPPER CONDUCTORS ONLY
- FIELD WIRING CONDUCTORS TO BE A MINIMUM OF 14 AWG
- MINIMUM FIELD WIRE TEMPERATURE RATING 60°C
- RECOMMENDED USE OF FERRULES FOR TERMINATION INTO P-TYPE WEIDMULLER TERMINAL BLOCKS FOR LINE (HOT) (RTB-L1) AND NEUTRAL (WTB-N) CONNECTIONS.
- TERMINAL TIGHTENING TORQUE OF 35 IN-LBS FOR GROUND BAR TERMINAL.
- MAX BRANCH CIRCUIT PROTECTION RATING OF 15 AMPS REQUIRED AT FIELD INSTALL.
- VOLTAGE RANGE IS 100-240 VAC, 50-60 HZ SINGLE PHASE ONLY.
- CONDUIT FITTINGS TO MATCH ENCLOSURE RATINGS TYPE 4, 4X, 12 REQUIRED.
- THE 24 VOLT DC POWER SUPPLIES (PS-1 AND PS-2) HAVE A MAX RATING OF 91.2 WATTS.
- THE 48 VOLT DC POWER SUPPLY (PS-3) HAS A MAX RATING OF 260 WATTS.
- FOR PART NUMBERS WITH CUSTOMER SUPPLIED SWITCH
  - REMOVE DC WIRES (3,4,5,6,9, AND 10) FROM TERMINAL BLOCKS
  - REMOVE TERMINAL BLOCKS
  - INSTALL SWITCH
  - INSTALL THE SUPPLIED 24 VOLT WIRES FOR THE SWITCH, WIRE NUMBERS 3,4,5, AND 6. CHECK WIRE DIAGRAM FOR POLARITY. TORQUE TO SPECIFIED RATINGS.
  - INSTALL THE SUPPLIED 48 VOLT WIRES FOR POE, WIRE NUMBERS 9 AND 10. CHECK WIRE DIAGRAM FOR POLARITY. TORQUE TO SPECIFIED RATINGS.
  - INSTALL SUPPLIED GROUND WIRE TO SWITCH. TORQUE TO SPECIFIED RATINGS.
- BEFORE APPLYING POWER:
  - TURN ON CONTACT BLOCKS 1, 2, AND 3. (CTB-1, CTB-2, AND CTB-3)
  - PLACE BLADE TERMINAL TYPE ATO 257030 LITTELFUSE INTO FUSE HOLDER-1 (FH-1)

FUSE HOLDER-1 (FH-1):  
BLADE TERMINAL TYPE  
ATO 257030 LITTELFUSE  
30 AMP / 32 VDC

							TITLE NETWORK ZONE SYSTEM, 100-240VAC INPUT, REDUNDANT 91.2W 24VDC POWER SUPPLIES, 24VDC BATTERY UPS, 260W 48VDC POE POWER SUPPLY FIELD WIRING DIAGRAM	
							ITEM REVISION NAME 15V510WC/03.PRT	
							DATASET FILE NAME 15V510WC_DC/03A.PRT	
							UNLESS OTHERWISE SPECIFIED, DIMENSIONAL TOLERANCES ARE: INCHES: .03 X.XX: .015 X.XXX: .007	
							METRIC - MILLIMETER X: .6 X.X: .15 X.XX: .075	
							MATERIAL/COLOR: N/A	
							DRAWING NUMBER: 15V510WC	
							THIRD ANGLE PROJECTION	
							SCALE N/A	
							DATE 2-25-16	
							CHK TIMH	
							SCALE N/A	
							SHT 1 OF 2	
							SIZE C	
03A	1-11-17	NWW	MBVE	TIMH	ADDED SHEET 2 FOR SWITCHES WITHOUT A SEPARATE POE INPUT	15V510WC		
REV	DATE	BY	CHK	APR	DESCRIPTION	ECN		

# FOR POE SWITCHES WITH 4 POWER INPUT TERMINALS



**NOTES:**

1. IDENTIFICATION:  
NETWORK ZONE SYSTEM, 100-240VAC INPUT, REDUNDANT 91.2W 24VDC POWER SUPPLIES, 24VDC BATTERY UPS, 260W 48VDC POE POWER SUPPLY, FIELD WIRING DIAGRAM PART NO. 15V510WC
2. USE OF COPPER CONDUCTORS ONLY
3. FIELD WIRING CONDUCTORS TO BE A MINIMUM OF 14 AWG
4. MINIMUM FIELD WIRE TEMPERATURE RATING 60°C
5. RECOMMENDED USE OF FERRULES FOR TERMINATION INTO P-TYPE WEIDMULLER TERMINAL BLOCKS FOR LINE (HOT) (RTB-L1) AND NEUTRAL (WTB-N) CONNECTIONS.
6. TERMINAL TIGHTENING TORQUE OF 35 IN-LBS FOR GROUND BAR TERMINAL.
7. MAX BRANCH CIRCUIT PROTECTION RATING OF 15 AMPS REQUIRED AT FIELD INSTALL.
8. VOLTAGE RANGE IS 100-240 VAC, 50-60 HZ SINGLE PHASE ONLY.
9. CONDUIT FITTINGS TO MATCH ENCLOSURE RATINGS TYPE 4, 4X, 12 REQUIRED.
10. THE 24 VOLT DC POWER SUPPLIES (PS-1 AND PS-2) HAVE A MAX RATING OF 91.2 WATTS.
11. THE 48 VOLT DC POWER SUPPLY (PS-3) HAS A MAX RATING OF 260 WATTS.
12. FOR PART NUMBERS WITH CUSTOMER SUPPLIED SWITCH
  1. REMOVE DC WIRES (5,6,9, AND 10) FROM TERMINAL BLOCKS
  2. REMOVE TERMINAL BLOCKS
  3. INSTALL SWITCH
  4. INSTALL THE SUPPLIED 24 VOLT WIRES FOR THE SWITCH, WIRE NUMBERS 5 AND 6. CHECK WIRE DIAGRAM FOR POLARITY. TORQUE TO SPECIFIED RATINGS.
  5. INSTALL THE SUPPLIED 48 VOLT WIRES FOR POE, WIRE NUMBERS 9 AND 10. CHECK WIRE DIAGRAM FOR POLARITY. TORQUE TO SPECIFIED RATINGS.
  6. INSTALL SUPPLIED GROUND WIRE TO SWITCH. TORQUE TO SPECIFIED RATINGS.
13. BEFORE APPLYING POWER:
  1. TURN ON CONTACT BLOCKS 2 AND 3. (CTB-2 AND CTB-3)
  2. PLACE BLADE TERMINAL TYPE ATO 257030 LITTELFUSE INTO FUSE HOLDER-1 (FH-1)

FUSE HOLDER-1 (FH-1):  
BLADE TERMINAL TYPE  
ATO 257030 LITTELFUSE  
30 AMP / 32 VDC

TITLE							NETWORK ZONE SYSTEM, 100-240VAC INPUT, REDUNDANT 91.2W 24VDC POWER SUPPLIES, 24VDC BATTERY UPS, 260W 48VDC POE POWER SUPPLY FIELD WIRING DIAGRAM					
ITEM REVISION NAME							15V510WC/03.PRT					
DATASET FILE NAME							15V510WC_DC/03A.PRT					
UNLESS OTHERWISE SPECIFIED, DIMENSIONAL TOLERANCES ARE:							MATERIAL/COLOR:					
INCHES		±0.03		METRIC - MILLIMETER		±0.08		ANGLE				
X.XX		±0.018		X.X		±0.46		±0.1°				
X.XXX		±0.007		X.XX		±0.18		±0.1°				
DRAWING NUMBER:							15V510WC					
DRAWN BY							DATE		CHK		SCALE	
NWW							2-25-16		TIMH		N/A	
THIRD ANGLE PROJECTION							DRAWING NUMBER:					
SHT 2 OF 2							SIZE					
C												

03A	1-11-17	NWW	MBVE	TIMH	REFER TO SHEET 1 FOR DETAILS	15V510WC
REV	DATE	BY	CHK	APR	DESCRIPTION	ECN