

Multi-Purpose Wall Mountable Enclosure

North America and
Latin America

PANDUIT[®]
SPECIFICATION SHEET

SPECIFICATIONS

The Multi-Purpose Wall Mountable Enclosure shall be designed to house transition-point connectivity and provide a space to mount network equipment recessed in the wall between standard 16 inch center-to-center wall studs or on the wall while providing flexibility to accommodate future moves, adds, and changes. The enclosure shall be constructed of 18 gauge steel and shall mount accessories with a push/pull design. The unit shall have a locking door and shall be engineered to allow proper ventilation for use with various equipment, but not limited to AV or ONT devices, copper connections, and fiber connections. The unit shall support both in-wall and on-wall mounting configurations.



TECHNICAL INFORMATION

Attributes:	Part Number	Height in. (mm)	Width in. (mm)	Depth in. (mm)	Load Capacity lbs. (kg)
	MS14EHDS	14.25 (362)	14.25 (362)	4.05 (103)	35 (16)
	MS28EHDS	28.25 (718)	14.25 (362)	4.05 (103)	35 (16)
	MS42EHDS	42.25 (1073)	14.25 (362)	4.05 (103)	35 (16)
Mounting:	Recessed in-wall or on-wall mounting				
Packaging:	Enclosure comes fully assembled with the following components: Base, Hinged Locking Door, and Mud Guard				
Materials:	18 gauge Steel, white powder coating				
Compliance:	RoHS				

KEY FEATURES AND BENEFITS

Open mounting pattern:	Allows placement of equipment across the entire base of the enclosure using a 1" grid pattern for configurable mounting options, greater flexibility, and maximum use of available space
Reversible hinge door:	Allows door to be installed on the left or right providing flexibility for placement of enclosure installation
Grounding kit:	Properly bonds the door to the base to protect network equipment and maximize uptime (sold separately)
Cable knockouts:	Cable knockout openings and gland plate cables to easily enter and exit the enclosure providing easier cable routing, quicker installation, and increased density
Power knockouts:	Provisions included to mount one 2-gang outlet box to power to the box facilitating the ability to connect active devices in the enclosure

APPLICATIONS

The Multi-Purpose Wall Mountable solution offers a flexible, comprehensive, and cost-effective structured cabling solution that can be used in commercial or residential deployments. The innovative system is designed to deliver a compact distribution point for a variety of connectivity options into individual location enclosures. Multi-Purpose enclosures and accessories are customizable and provide an easy to install solution for voice, video, or data applications and can be used in an office or home environment. Modularity with Panduit products allows the Multi-Purpose system to service an entire network infrastructure from the building demarcation point to the end user's network outlet. Multi-Purpose enclosures can provide a point of installation for a variety of equipment, utilizing a pre-determined grid pattern that helps guide the placement of components, knockouts for the entry of power and cables, and a hinged door to protect the installation.

Multi-Purpose Wall Mountable Enclosure

14" enclosure: [MS14EHDS](#)

28" enclosure: [MS28EHDS](#)

42" enclosure: [MS42EHDS](#)

Opticom[®] PON SC-APC Splitter Cassettes

1X4 Split: [FC29N-04-3G1X04](#)

2X4 Split: [FC29N-04-3G2X04](#)

1X8 Split: [FC29N-08-3G1X08](#)

2X8 Split: [FC29N-08-3G2X08](#)

Accessories

Device Shelf: [MSSHLF](#)

Device Strap Bracket: [MSBRKT](#)

8-Port Patch Panel Bracket: [MS8PPB](#)

8-Port NetKey Patch Panel Bracket: [NKMS8PPB](#)

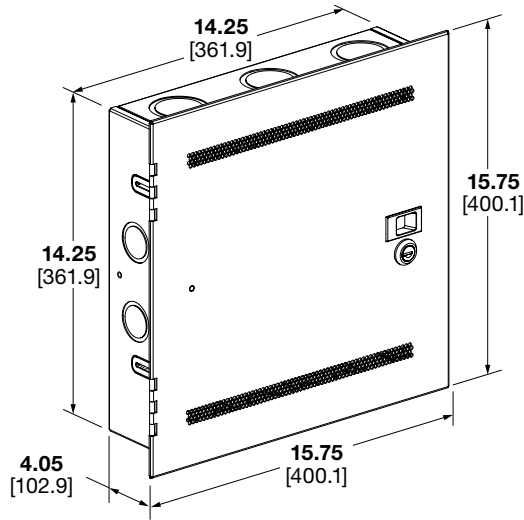
Fiber Casette Bracket: [MSFCB2](#)

Grounding Kit: [MSGK](#)

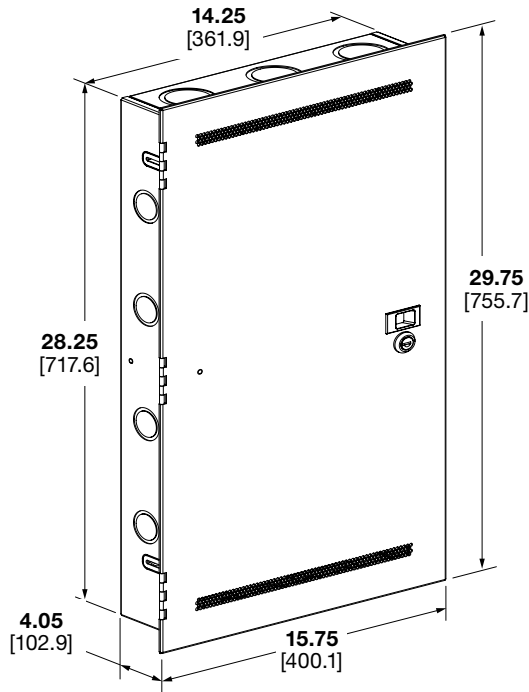
Fiber Slack Spool: [FMS1](#)

Multi-Purpose Wall Mountable Enclosure

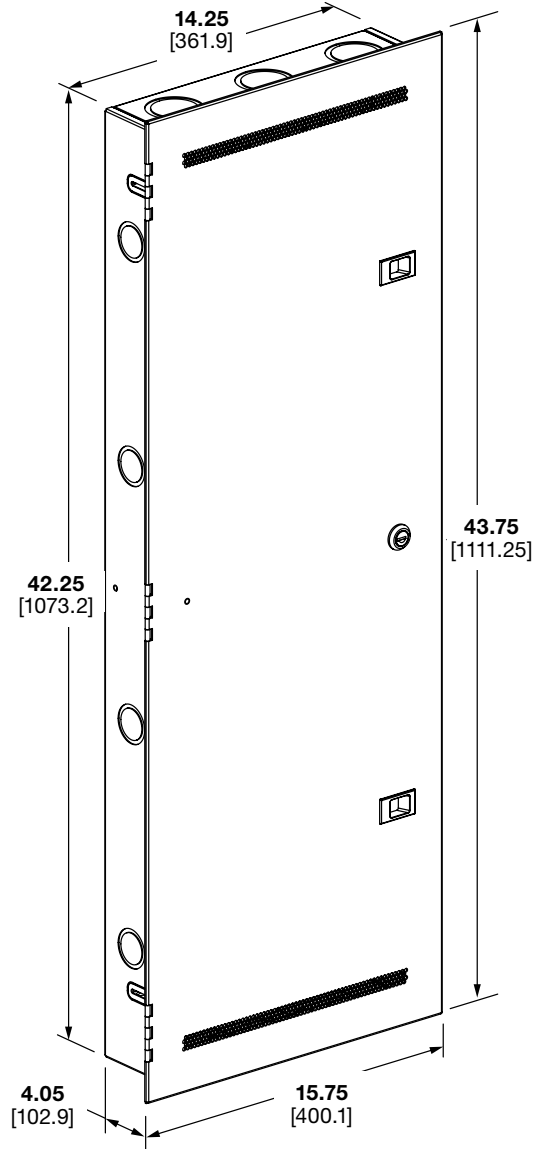
ENGINEERING DRAWINGS



14 INCH ENCLOSURE



28 INCH ENCLOSURE



42 INCH ENCLOSURE

Dimensions are in inches. [Dimensions in brackets are metric].

WORLDWIDE SUBSIDIARIES AND SALES OFFICES

PANDUIT US/CANADA
Phone: 800.777.3300

PANDUIT EUROPE LTD.
London, UK
Phone: 44.20.8601.7200

PANDUIT SINGAPORE PTE. LTD.
Republic of Singapore
Phone: 65.6305.7575

PANDUIT JAPAN
Tokyo, Japan
Phone: 81.3.6863.6000

PANDUIT LATIN AMERICA
Guadalajara, Mexico
Phone: 52.33.3777.6000

PANDUIT AUSTRALIA PTY. LTD.
Victoria, Australia
Phone: 61.3.9794.9020

For a copy of Panduit product warranties, log on to www.panduit.com/warranty

For more information

Visit us at www.panduit.com
Contact Customer Service by email: cs@panduit.com
or by phone: 800.777.3300

PANDUIT[®]

© 2024 Panduit Corp.
ALL RIGHTS RESERVED.
RKSP212-WW-ENG
5/2024