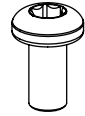


Cable Management Panels
Qty: 2

Tool List:

- T25 Torx driver

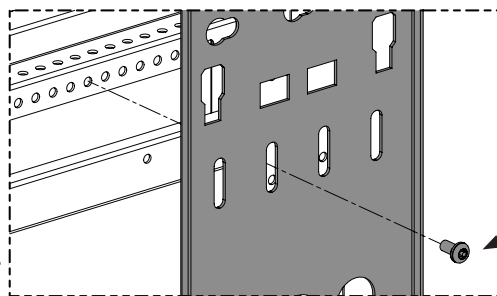
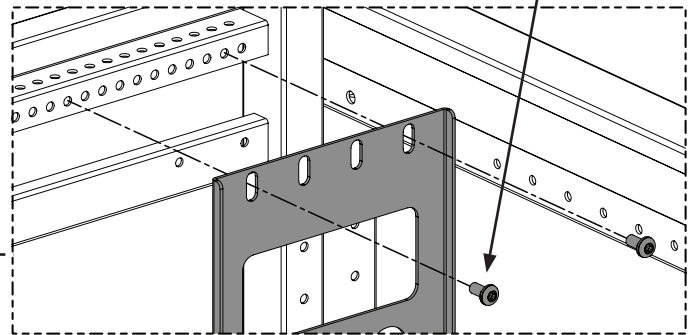


M5x0.8 x 10mm
Pan Head Torx Screw
Qty: 10

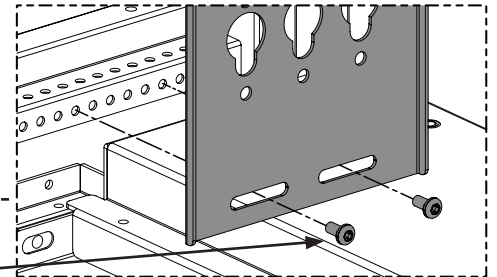
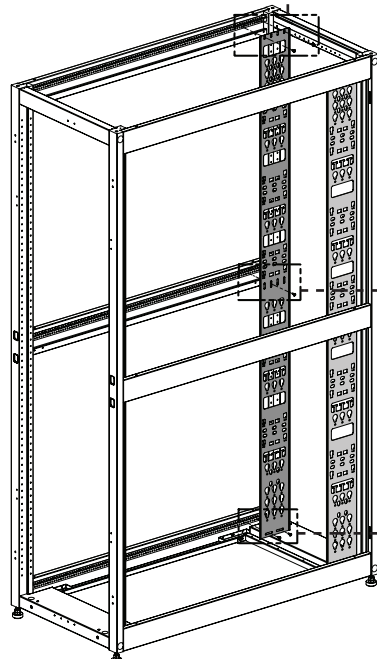
M5x0.8 x 10mm
Pan Head Torx Screw
2 places per side

Install (1) Panel to each side of cabinet

- Torque all M5 screws to $2.7 \pm 0.3 \text{ N}\cdot\text{m}$ [$23.9 \pm 2.7 \text{ in}\cdot\text{lbs}$].



M5x0.8 x 10mm
Pan Head Torx Screw
1 places per side
*May be removed if
interfering with PDU*



M5x0.8 x 10mm
Pan Head Torx Screw
2 places per side

For Instructions in Local Languages
and Technical Support:

www.panduit.com/resources/install_maintain.asp

PANDUIT

www.panduit.com

E-mail:
techsupport@panduit.com

Phone:
866-405-6654