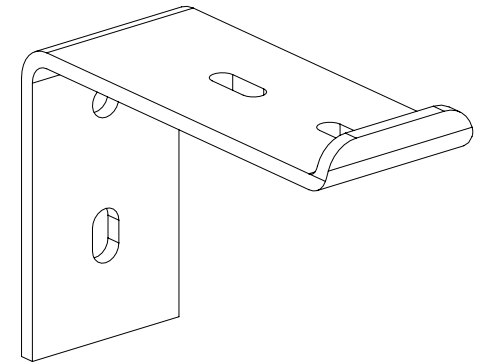
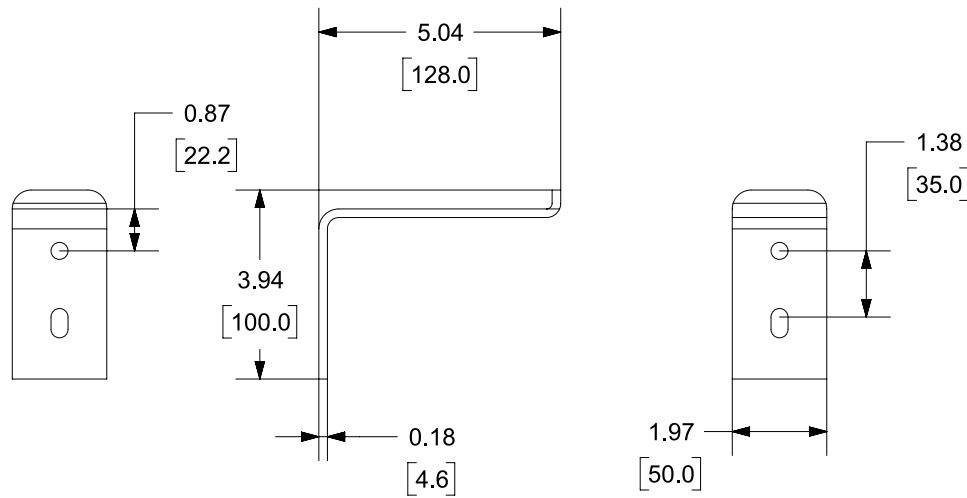


THIS COPY IS PROVIDED ON A RESTRICTED BASIS AND IS NOT TO BE USED IN ANY WAY DETRIMENTAL TO THE INTERESTS OF PANDUIT CORP.

PANDUIT P/N	WEIGHT
PWBCB4**	.50 LBS/EACH (226.8g)/EACH

NOTES:

1. DIMENSIONS IN [] ARE METRIC.
2. PART INCLUDES 1 BRACKET
3. PART WORKS WITH ALL 4" WIDE WIRE BASKETS.
4. BRACKET ACCEPTS UP TO 5/16" OR 8mm CUSTOMER SUPPLIED MOUNTING HARDWARE
5. BASKETS ARE MOUNTED TO CANTILVER BRACKET WITH 2 PWBHK**. (SOLD SEPARATELY).
6. **= BL (BLACK POWDER COAT), WH (WHITE POWDER COAT), OR EZ (CLEAR ZINC)
7. ALL MATERIALS AND COMPONENTS USED MEET THE MATERIAL RESTRICTIONS OF RoHS (EUROPEAN DIRECTIVE 2011/65/EC ON THE RESTRICTION OF HAZARDOUS SUBSTANCES) AS PROPOSED BY THE RoHS TECHNICAL ADAPTATION COMMITTEE.



REV	DATE	BY	CHK	APR	DESCRIPTION	ECN
00C	12-14-23	SAT	DWR	EB	B. UPDATED TITLE.	00510EPH-DC
00B	3/7/22	JSP	DWR	ML	A. ADD NOTE 3-7	00510EPH-DC
00A	6/2/21	JSP	WJM	ML	INITIAL RELEASE	00510EPH-DC

TITLE WIRE BASKET CANTILEVER BRACKET 4" [100mm]					
CUSTOMER DRAWING					
ITEM REVISION NAME 00510EPH/00			PANDUIT		
DATASET FILE NAME 00510EPH_DC/00C					
DRAWN BY JSP		DATE 6/2/21	CHK WJM	SCALE NONE	DRAWING NUMBER 00510EPH-DC
SHEET 1 OF 1		SIZE A			