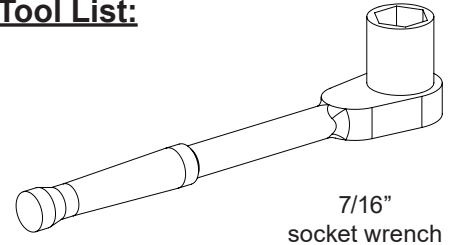


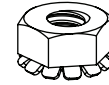
FiberRunner 6x4
Cut-In Tee
FRCUTTSB6X4**

Tool List:

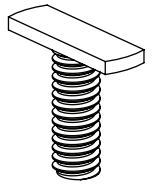


7/16"
socket wrench

Hardware:

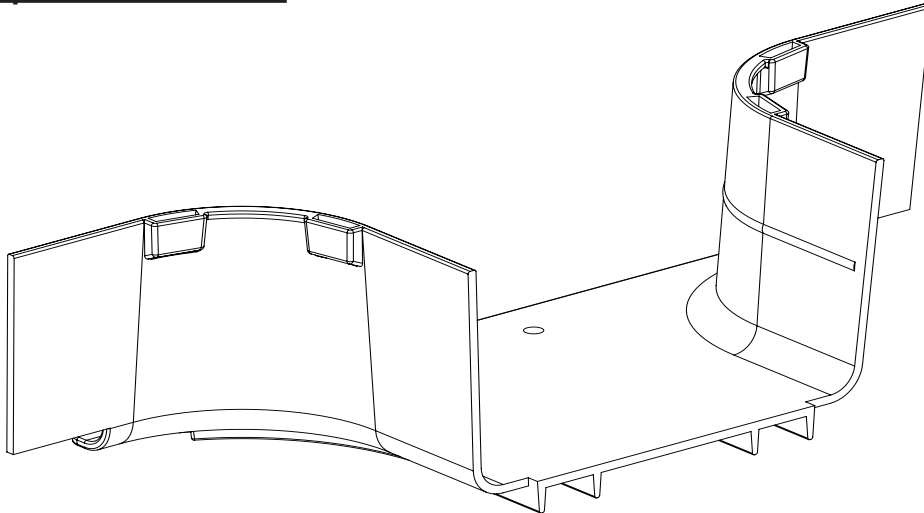


1/4-20
Hex Keps Locknut
qty. 10

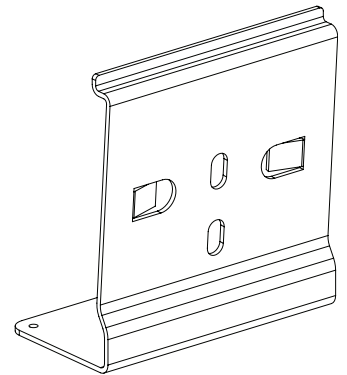


1/4-20
T-Bolt
qty. 4

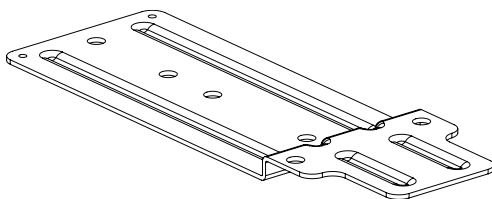
Components included:



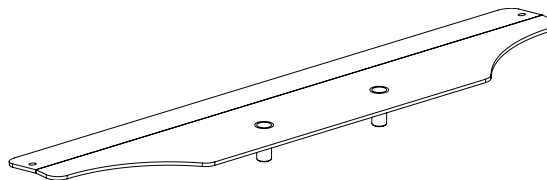
FiberRunner Cut-In Tee
qty. 1



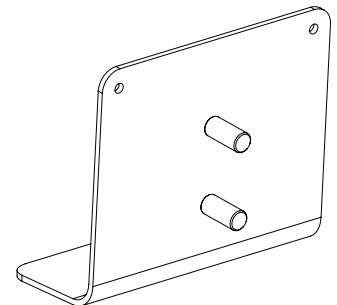
Coupler
qty. 2



Cut-In Tee Bracket
qty. 1



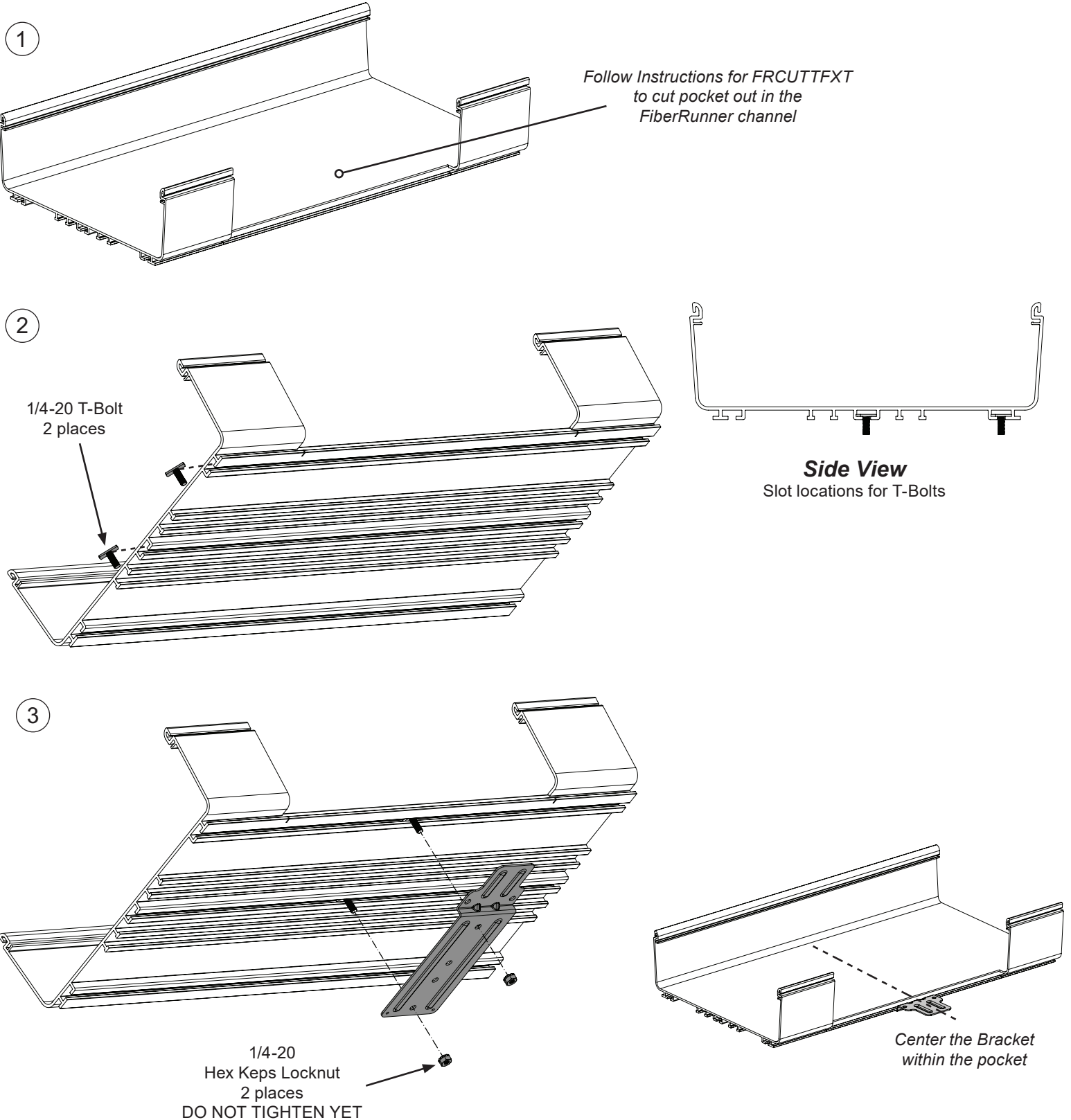
Top Mounting Plate
qty. 1



Coupler Back Plate
qty. 2

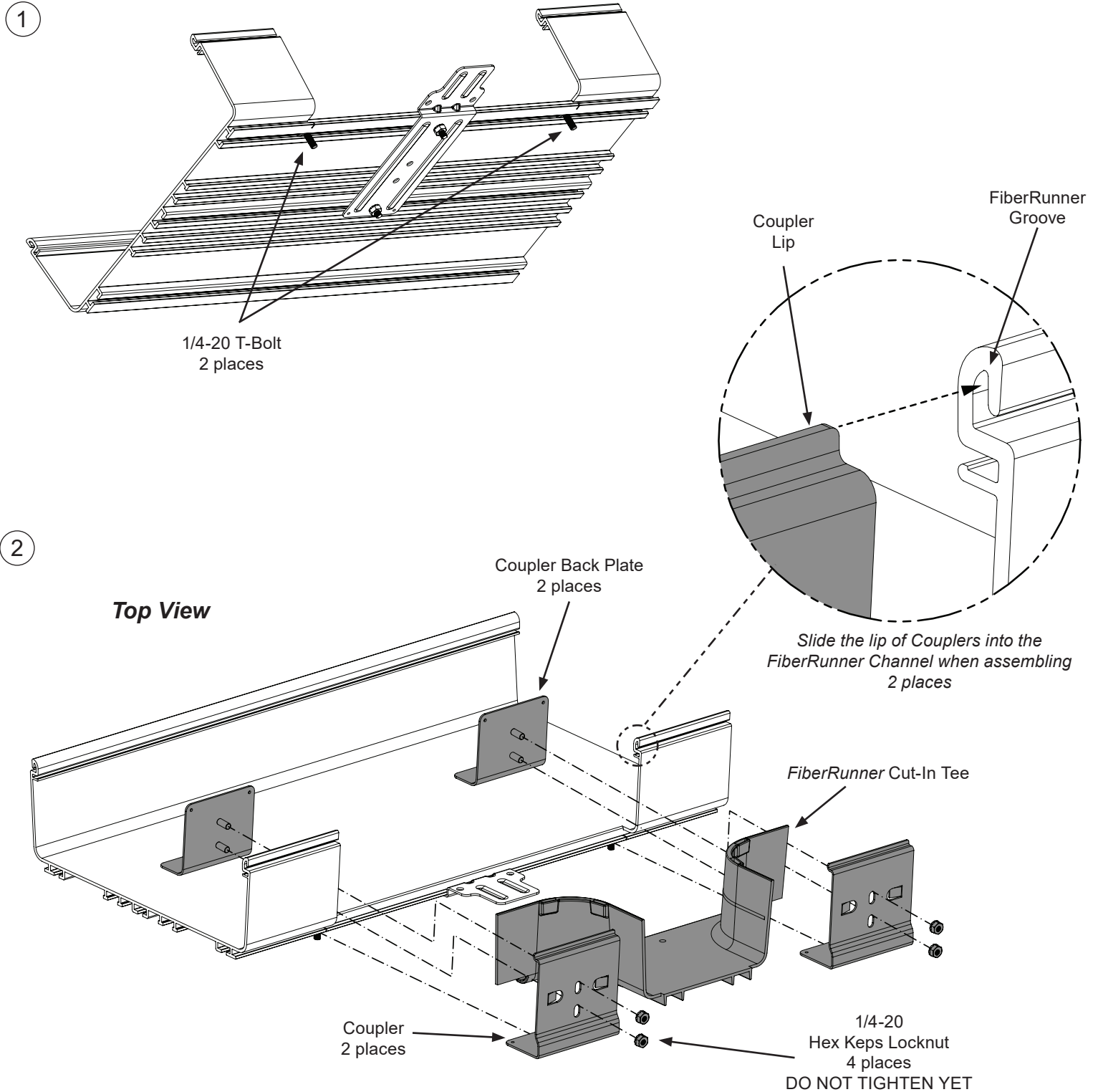
Installation of the Cut-in Tee bracket

- See Instructions for FRCUTTFXT to cut pocket out in the *FiberRunner* channel.
- Insert (2) T-Bolts into bottom of *FiberRunner* channel.
- Secure the Cut-in Tee Bracket with (2) 1/4-20 nuts. **DO NOT TIGHTEN YET.**
- Center the Cut-in Tee Bracket to the pocket

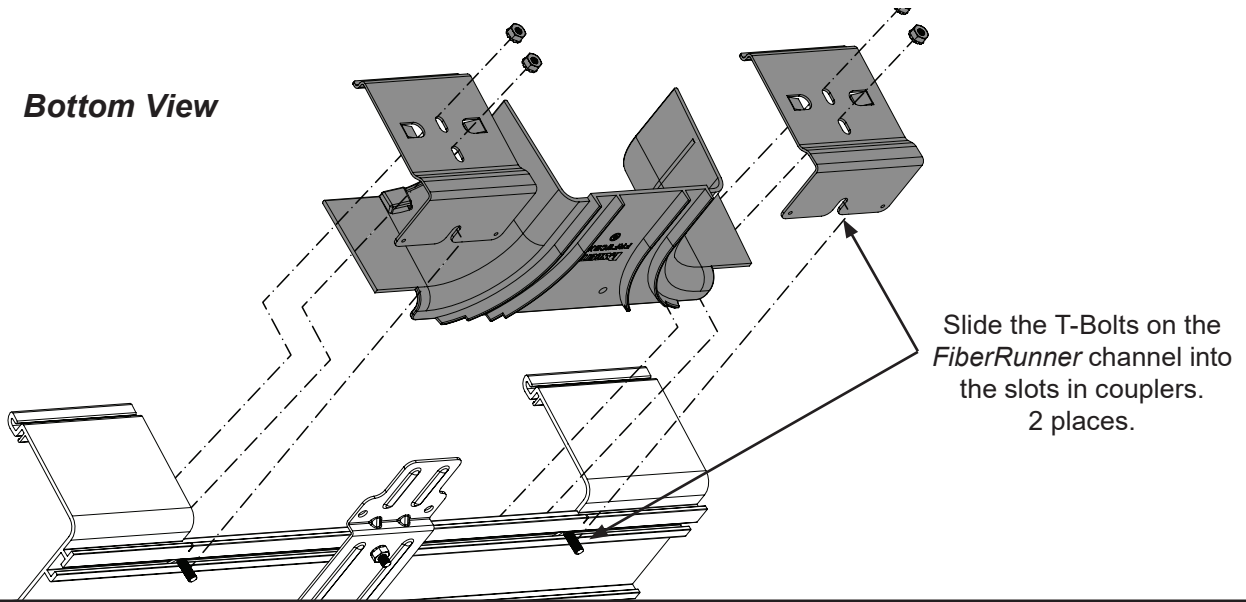


Installation of the Cut-in Tee onto the FiberRunner channel

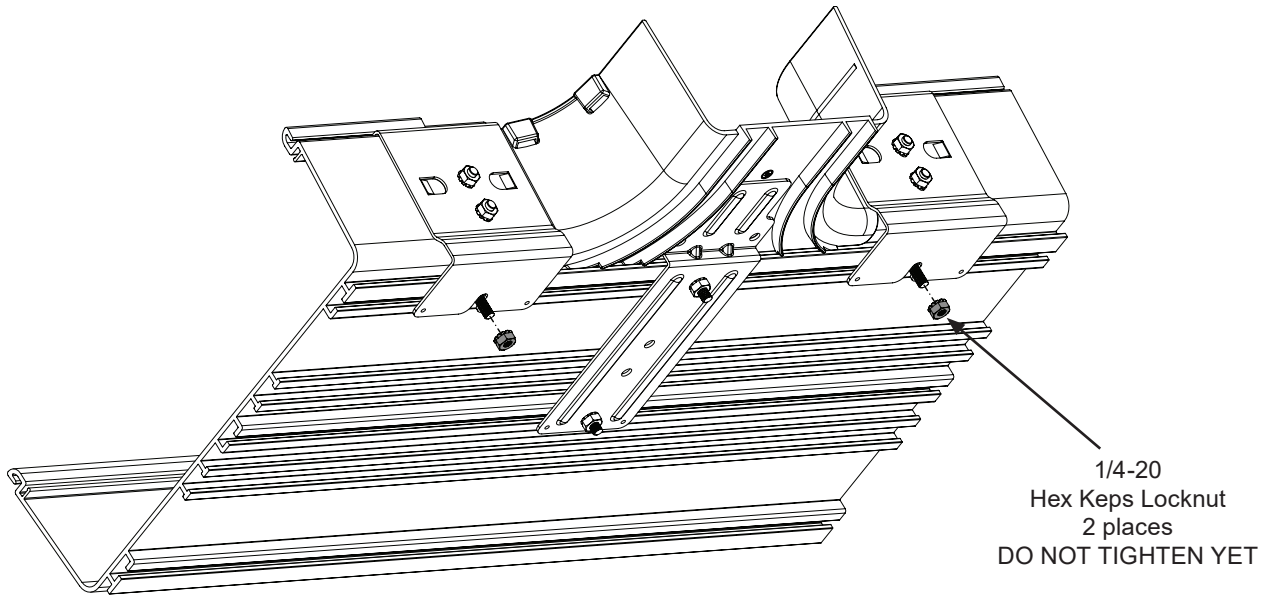
- Insert (2) T-Bolts into bottom of *FiberRunner* channel for couplers in approximate locations shown.
- Assemble the Cut-in Tee to the *FiberRunner* with (2) Couplers and Back Plates with (6) 1/4-20 nuts. **DO NOT TIGHTEN YET.**
- Slide the lip of couplers into the groove in *FiberRunner* channel when assembling.
- Assemble the Top Mounting Plate with (2) 1/4-20 nuts. **DO NOT TIGHTEN YET.**
- Re-center the Cut-In Tee Assembly within the FiberRunner channel pocket. **TIGHTEN ALL 1/4-20 NUTS.**



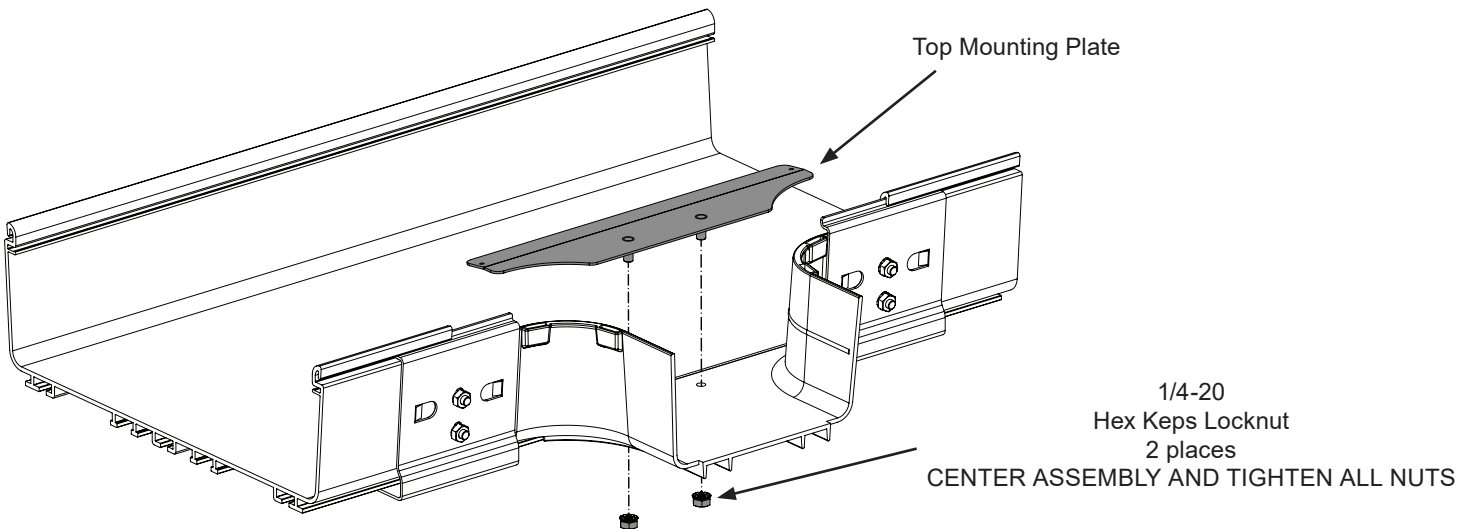
Bottom View



3



4



For Instructions in Local Languages
and Technical Support:

www.panduit.com/resources/install_maintain.asp

PANDUIT
www.panduit.com

E-mail:
techsupport@panduit.com

Phone:
866-405-6654