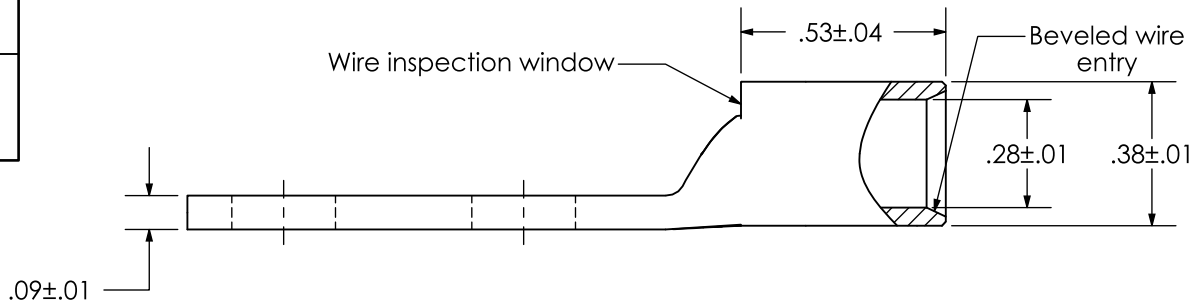
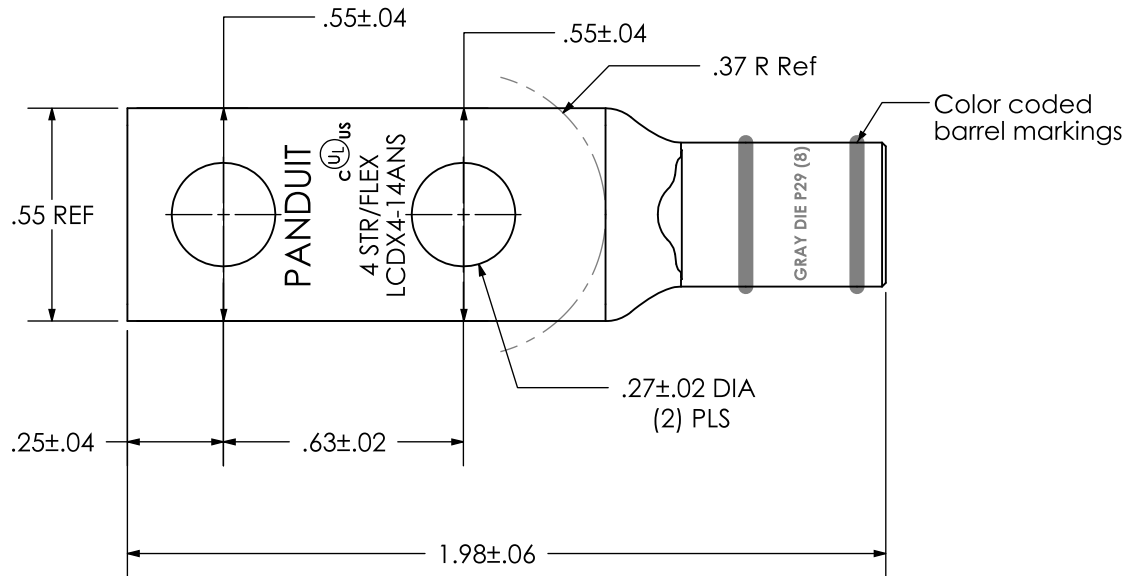


THIS COPY IS PROVIDED ON A RESTRICTED BASIS AND IS NOT TO BE USED IN ANY WAY DETRIMENTAL TO THE INTERESTS OF PANDUIT CORP.

Material	High Conductivity Seamless Copper Tube
Plating	Min .000050" Nickel underplate, Min .000200" Silver plating
Wire Size	4 STR/FLEX (ALL), 3 & 5 FLEX*
Wire Type	Stranded Copper: Class B & C, Compact, Class G, H, I, K, M, Locomotive (*Locomotive only)
Wire Strip Length	5/8 in.
Stud Size	1/4 in.
UL Listed Wire Connector	Yes, for applications up to 35kv. Consult cable manufacturer for voltage stress relief instructions with applications greater than 2000 volts.
UL Temperature Rating	90° C
C.S.A Certified Wire Connector	N/A
Panduit Color Code on Barrel	GRAY
Panduit Die Index No. on Barrel	P29
Alternate Industry Die Index No. ( ) on Barrel	(8)



NOTE: DIMENSIONS AND TOLERANCES ARE IN INCHES

REV	DATE	BY	CHK	APP	DESCRIPTION	ECN
03	1-24	JHNU	DAEI	MRWA	B. REVISED WIRE SIZE, TYPE IN TABLE	002508
02	6-23	JHNU	DAEI	MRWA	A. ADDED TONGUE WIDTH DIMENSIONS	129336
01	3-23	JHNU	DAEI	MRWA	REMOVED PRELIMINARY FROM DRAWING, RELEASED ON ECN	129336
00	1-31-23	JHNU	JHNU		DRAWING RELEASED	

**PANDUIT CORP. TINLEY PARK, ILLINOIS**

LCDX4-14ANS-L  
Copper Lug - Two-Hole, Standard Flex Barrel

SCALE N/A DRAWING NO / CAD FILE LCDX4-14ANS-CUST