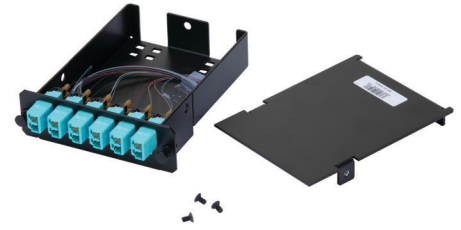


technical information

Opticom Fiber Optic Splice Cassettes shall consist of fiber adapters and pre-terminated fiber leads for quick and easy splicing in high density applications. Connector options include LC, LC/APC, SC, and SC/APC adapters for either multimode or singlemode applications. The splice cassettes are available with 250µm pigtailed and flat ribbon pigtailed. The cassettes include all accessories required for field splicing; splice protectors, splice holders, and cable ties to secure the incoming cable to the cassette body. Fiber and adapter colors follow TIA/EIA-568-C.3 suggested color identification scheme. The cassettes are compatible with all Opticom Enclosures (FRME*, FCE*, FWME*) and patch panels.



applications

Opticom Splice Cassettes facilitate field splicing of twelve LC, LC/APC, SC, and SC/APC connectors in a convenient cassette-based system. These robust cassettes are applicable for enterprise, datacenter, colo, and edge deployments.

construction

Fiber count:	12	
Fiber types:	Multimode:	OM3/OM4 50/125µm
	Singlemode:	OM5 50/125µm
Front connectivity:	LC Duplex, SC Duplex LC/APC Duplex (OS2 only) SC/APC Duplex (OS2 only)	
Split sleeve material (SC or LC adapters):	Zirconia Ceramic:	OM3/OM4 Multimode Cassettes OM5 Multimode Cassettes OS2 Singlemode Cassettes
Includes:	1-meter Pigtailed Splice Protection Sleeves (individual or ribbon) Cable Ties Splice Holder	

environmental properties

Operating temperature:	0°C to +70°C (32°F to 158°F)
Storage and shipping temperature:	-40°C to +75°C (-40°F to 167°F)

performance properties

Insertion loss (Link loss):	OM3/OM4 Optimized: 0.15dB plus splice loss	OM5 Optimized: 0.15dB plus splice loss	OS2 Standard: 0.35dB plus splice loss
Return loss:	Per fiber:	>26dB Multimode	>55dB Singlemode
Connector durability:	Connectors meet TIA/EIA-568C.3 A.4.9	Durability: 500 Mating cycles	

standards

Connectivity meets or exceeds TIA/EIA-568-C.3 performance requirements. Supports IEEE 802.3ae and ANSI T11.2 (Fibre Channel) channel and link specifications. Compliant with ROHS 2002/95/EC.

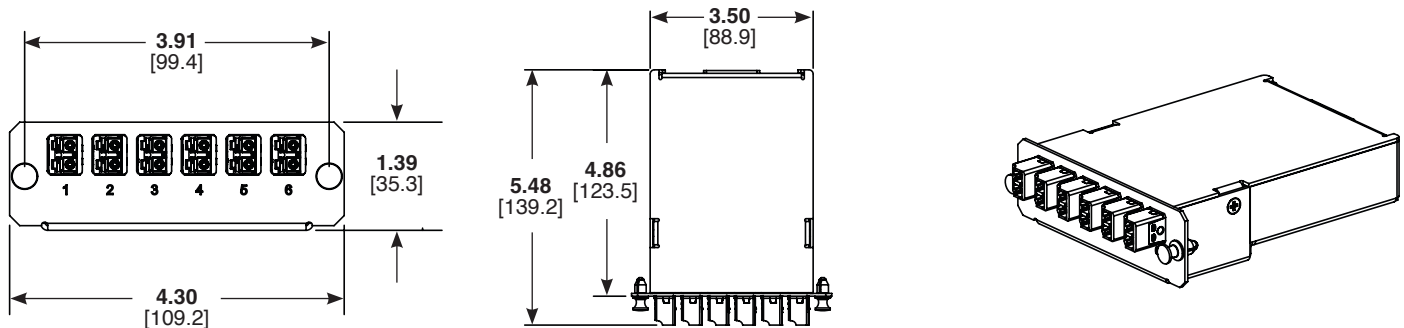
Opticom® Fiber Optic Splice Cassettes

part numbers

Part Number	Number of Fibers	Fiber Type	Connector	Port Count	Performance
FCS9N-12-10P^	12	OS2	LC	6	Standard (0.35dB + splice loss)
FCS9N-12-LAP^	12	OS2	LC/APC	6	Standard (0.35dB + splice loss)
FCSZO-12-10P^	12	OM3/OM4	LC	6	Optimized (0.15dB + splice loss)
FCSWO-12-10P^	12	OM5	LC	6	Optimized (0.15dB + splice loss)
FCS9N-12-03P^	12	OS2	SC	6	Standard (0.35dB + splice loss)
FCS9N-12-SAP	12	OS2	SC/APC	6	Standard (0.35dB + splice loss)
FCSZO-12-03P	12	OM3/OM4	SC	6	Optimized (0.15dB + splice loss)

^Also available in ribbon fiber, change the "P" in the part number to an "R".

6-port LC duplex splice cassettes



Dimensions are in inches. [Dimensions in brackets are metric].

WORLDWIDE SUBSIDIARIES AND SALES OFFICES

PANDUIT US/CANADA
Phone: 800.777.3300

PANDUIT EUROPE LTD.
London, UK
Phone: 44.20.8601.7200

PANDUIT SINGAPORE PTE. LTD.
Republic of Singapore
Phone: 65.6305.7575

PANDUIT JAPAN
Tokyo, Japan
Phone: 81.3.6863.6000

PANDUIT LATIN AMERICA
Guadalajara, Mexico
Phone: 52.33.3777.6000

PANDUIT AUSTRALIA PTY. LTD.
Victoria, Australia
Phone: 61.3.9794.9020

For a copy of Panduit product warranties, log on to www.panduit.com/warranty

For more information

Visit us at www.panduit.com
Contact Customer Service by email: cs@panduit.com
or by phone: 800.777.3300

PANDUIT®

© 2023 Panduit Corp.
ALL RIGHTS RESERVED.
FBSP176-WW-ENG
2/2023