

Wyr-Grid 4-Post Rack Mount Bracket

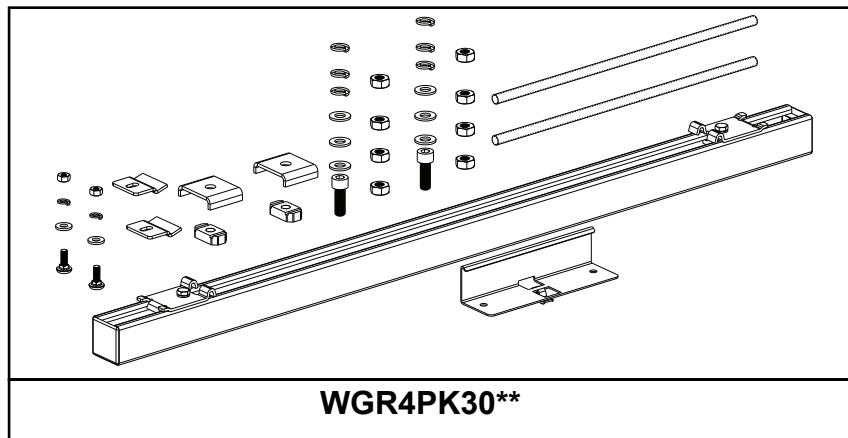


Part Number(s): WGR4PK30**

© Panduit Corp. 2014

INSTALLATION INSTRUCTIONS

V00029FC



Note: The 4-Post Rack Mounting Brackets in the depicted configurations are capable of supporting Wyr-Grid Pathways at their safe working load unless otherwise noted.

Direct Mount Installation (R4P)

M10 Bolt

Torque both screws to a maximum of 7 Lb-ft (9.5 N-m) with 8mm Hex key

M10 Lockwasher

M10 Flat Washer

Strut

Step 1: Attach Strut to top of Rack using thru holes with (1) M10 Bolt, (1) M10 Flat Washer, (1) M10 Lockwasher & (1) M10 Nut (per side).

Note: Strut can also be installed perpendicular to the Racks depth.

M10 Nut

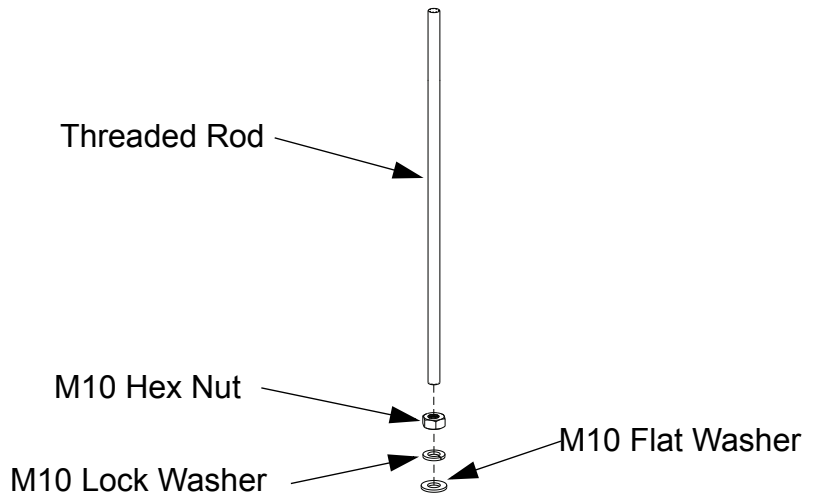
FiberRunner/Wyr-Grid Quiklock Clip Assemblies

(See page 5 & 6 for Pathway installation.)

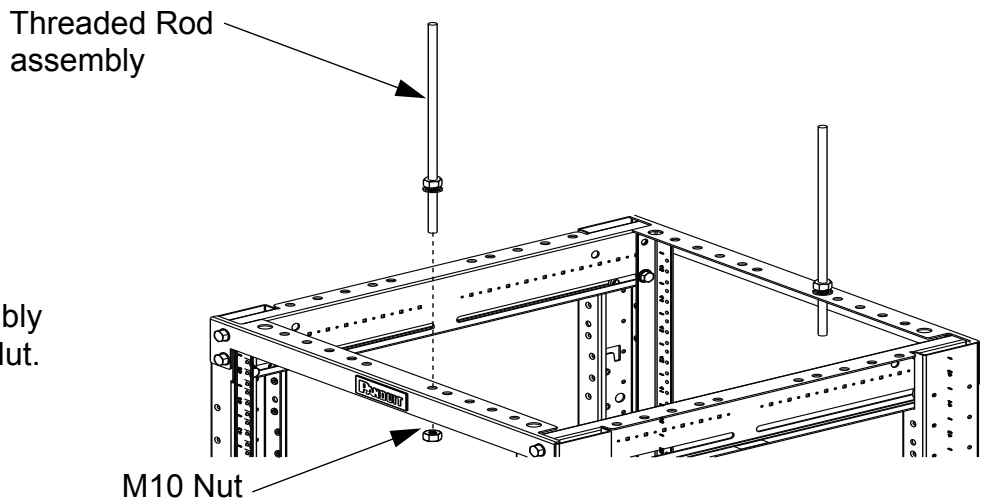
FOR TECHNICAL SUPPORT www.panduit.com/resources/install_maintain.asp

Standard Elevated Installation (R4P)

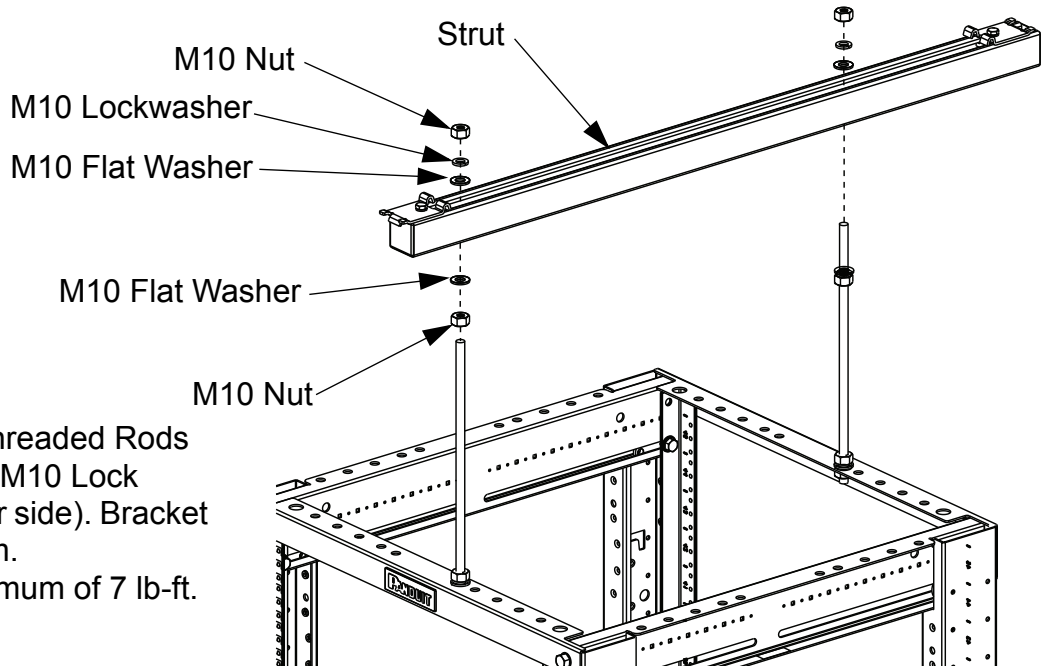
Step 1: Assemble the Threaded Rod using (1) M10 Hex Nuts, (1) M10 Lock Washers, & (1) M10 Flat Washers as shown.



Step 2: Install Threaded Rod assembly in thru holes & secure with (1) M10 Nut.



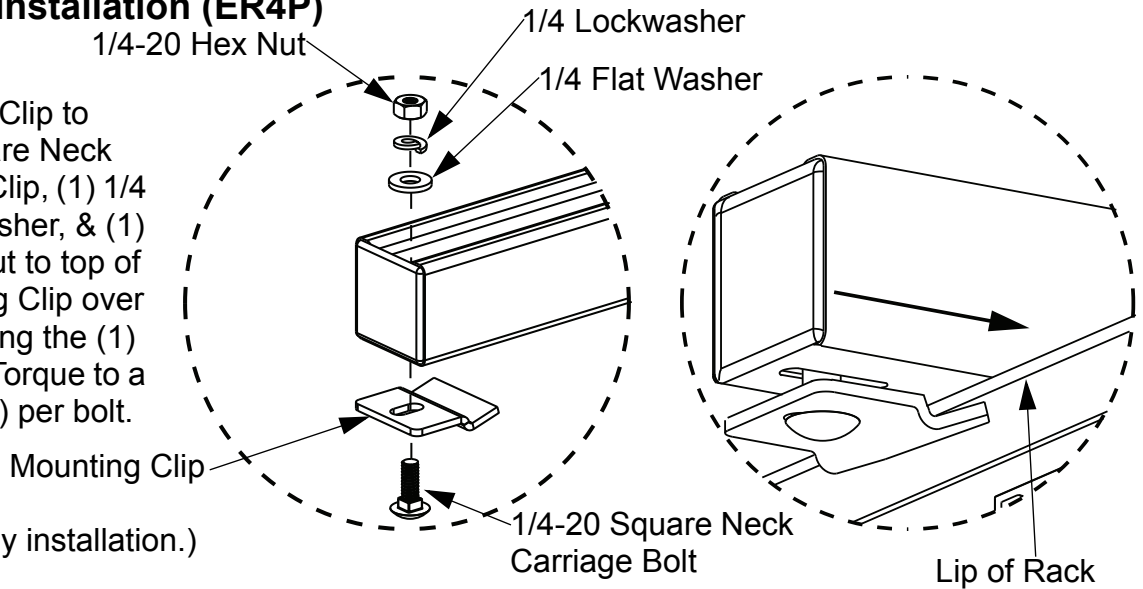
Step 3: Attach Strut to top of Threaded Rods using (1) M10 Flat Washer, (1) M10 Lock Washer, & (1) M10 Hex Nut (per side). Bracket load rating is 300 lbs. maximum. (Torque all M10 Nuts to a maximum of 7 lb-ft. (9.5 N-m) typical)



(See page 5 & 6 for Pathway installation.)

Economy Rack Direct Installation (ER4P)

Step 1: Assemble Mounting Clip to Strut using (1) 1/4 - 20 Square Neck Carriage Bolt, (1) Mounting Clip, (1) 1/4 Flat Washer, (1) 1/4 Lockwasher, & (1) 1/4 - 20 Hex Nut. Attach Strut to top of Rack by sliding the Mounting Clip over the lip of the Rack & tightening the (1) 1/4 - 20 Hex Nut (per side). Torque to a minimum of 4 lb-ft (5.4 N-m) per bolt.



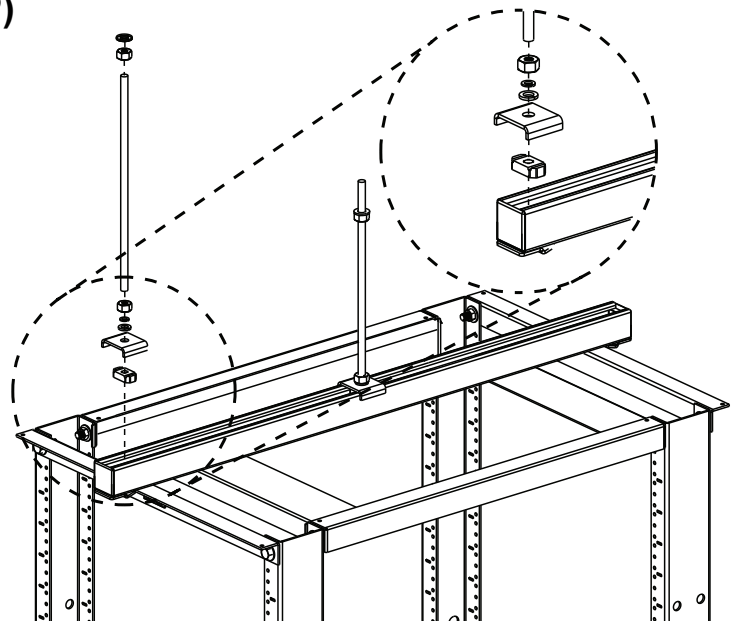
(See page 5 & 6 for Pathway installation.)

Economy Rack Elevated Installation (ER4P)

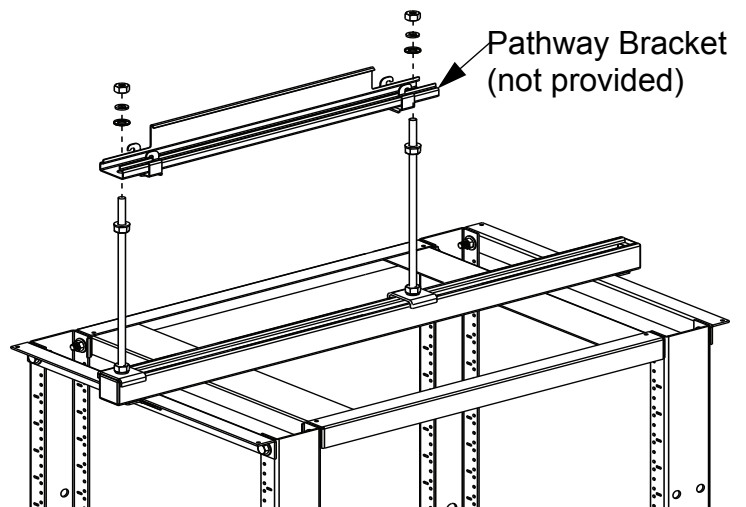
Step 1: See Direct Installation Step 1.

Step 2: Assemble Threaded Rod using (1) M10 Hex Nut, (1) M10 Lockwasher, (1) M10 Flat Washer, (1) Channel Washer, & (1) M10 Channel Nut.

Step 3: Attach Threaded Rod Assembly to Strut by inserting the Channel Nut into the Strut parallel with the Strut, turning 1/4 turn & lifting so that the grooves on the Channel Nut engage with the flanges on the Strut. Tighten the M10 Hex Nut. Install (1) M10 Hex Nut & (1) M10 Flat Washer to the top of the Threaded Rod & adjust to desired height of the Upper Strut.



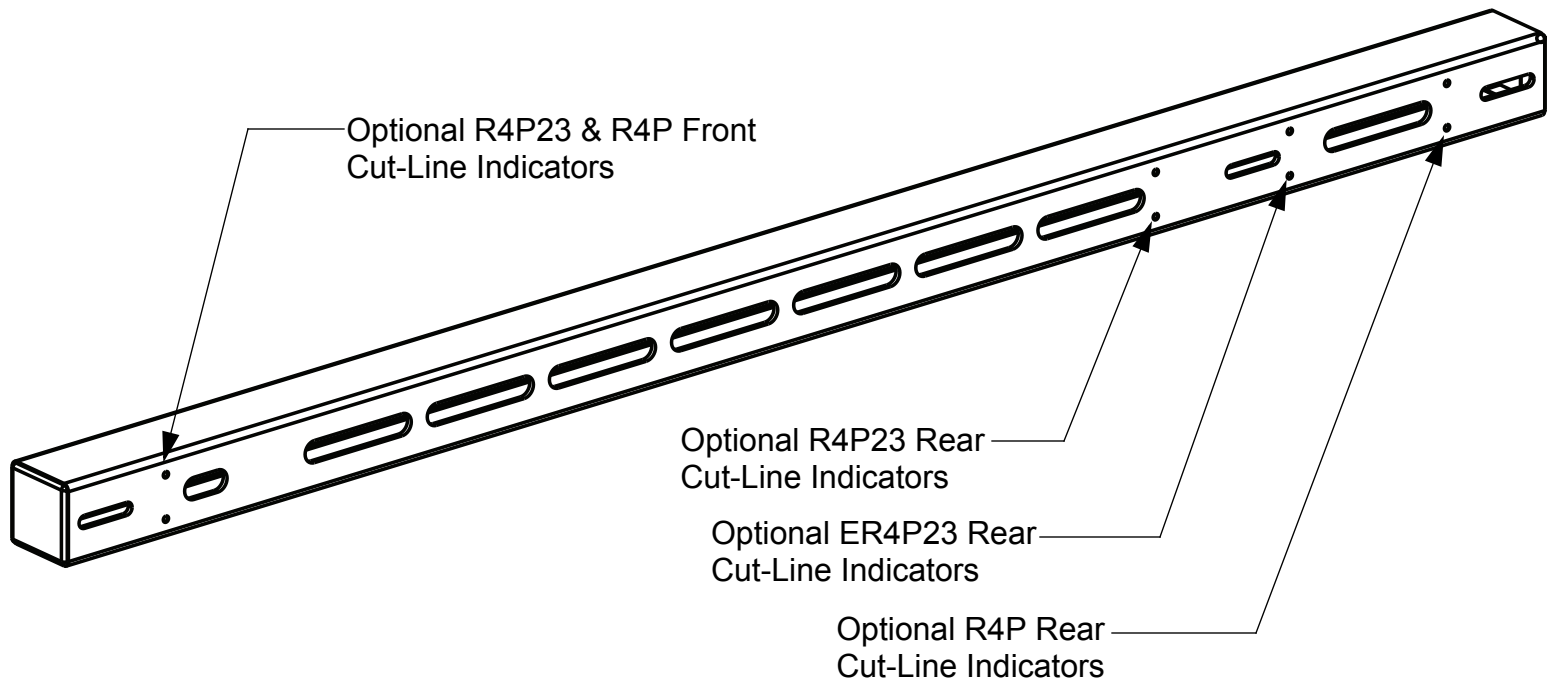
Step 4: Attach Pathway Bracket (not provided) to the top of Threaded Rods using (1) M10 Flat Washer, (1) M10 Lock Washer, & (1) M10 Hex Nut (per side) Bracket load rating is 300 lbs maximum. (Torque all M10 Nuts to a maximum of 7 lb-ft (9.5 N-m) typical)



(See page 5 & 6 for Pathway installation.)

Optional field Strut length modification

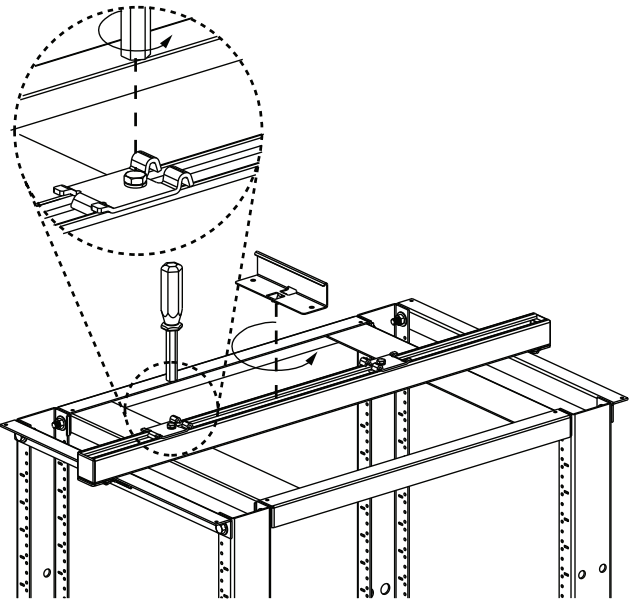
The Strut length may be customized to the actual application requirements by cutting excess length off according to the corresponding Cut-Line Indicators



Wyr-Grid WG810, WG12**10, WG18**10, WG24**10, & WG30**10 Installation**

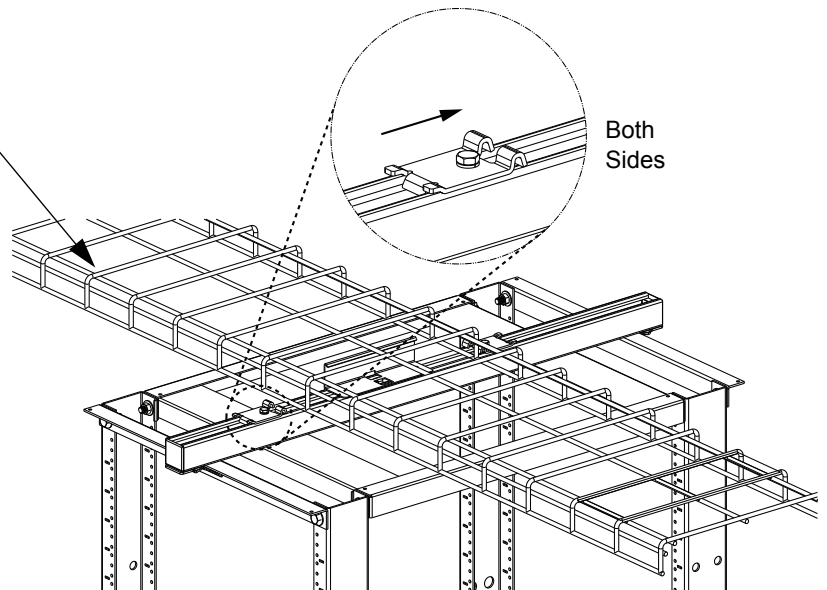
Step 1: Loosen Clips & slide Clips outside the pathway's width.

Step 2: Install the Center Support in the desired location by inserting the Support in the strut perpendicular with the length of the Strut & rotate 1/4 turn.

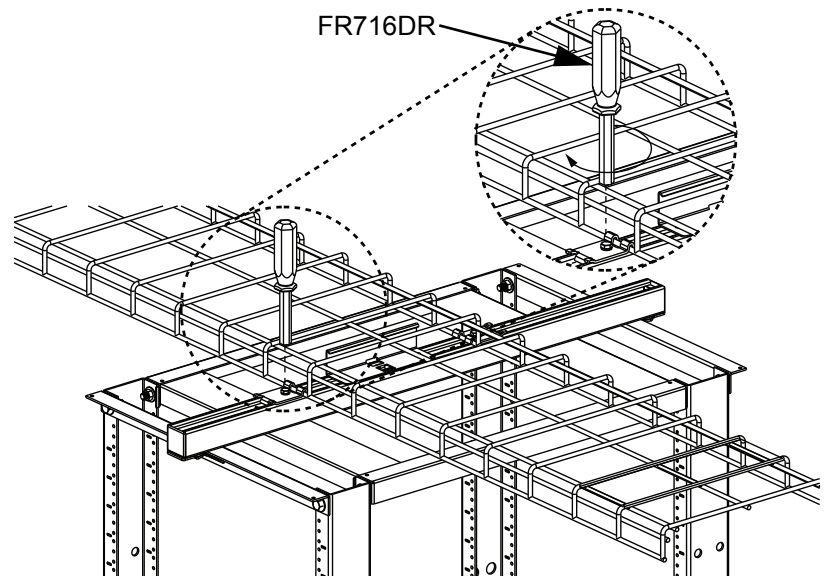


Wyr-Grid Pathway

Step 3: Position Wyr-Grid & place clips over the pathway's wires.



Step 4: Tighten both clips to 4 Lb-ft (5.4 N-m)



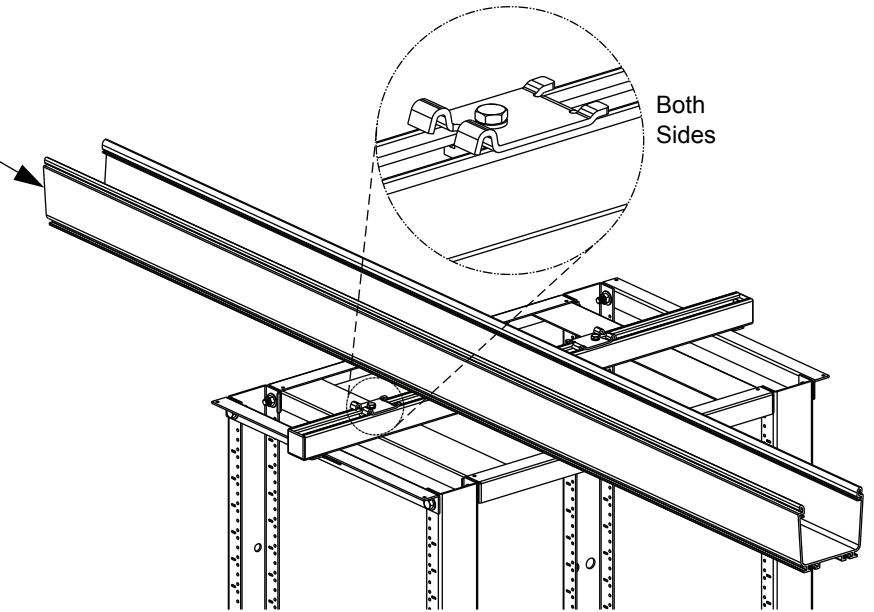
For Technical Support: www.panduit.com/resources/install_maintain.asp

FiberRunner FR4X46, FR6X4**6, & FR12X4**6 Installation**

NOTE: For FR24X4**6 Clips must be rotated 180°

FiberRunner Pathway

Step 1: Loosen Clips & slide clips outside the channels width.
 Step 2: Apply FiberRunner & engage the legs of channel with the clips.



Step 4: Tighten both clips to 4 Lb-ft (5.4 N-m)

