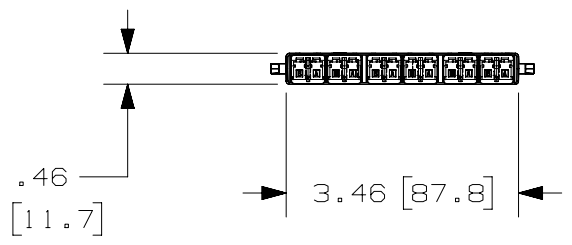
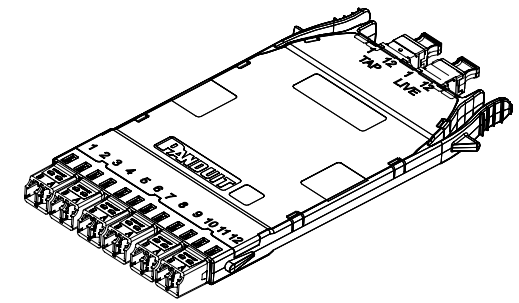
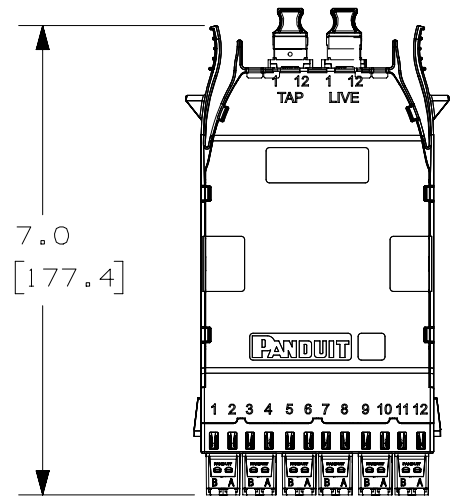


THIS COPY IS PROVIDED ON A RESTRICTED BASIS AND IS NOT TO BE USED IN ANY WAY DETRIMENTAL TO THE INTERESTS OF PANDUIT CORP.

- NOTES:
1. SEE TABLE FOR SPECIFIC PART NUMBERS
 2. SEE PAGE 2 FOR PORT MAPPING
 3. MATERIALS:
 - A. ENCLOSURE: PLASTIC
 - B. ADAPTERS: COMPOSITE PLASTIC
 4. PART WEIGHT: 3.5 OZ [100 G]
 5. DIMENSIONS IN BRACKETS ARE METRIC [mm]
 6. ALL DIMENSIONS ARE FOR REFERENCE ONLY

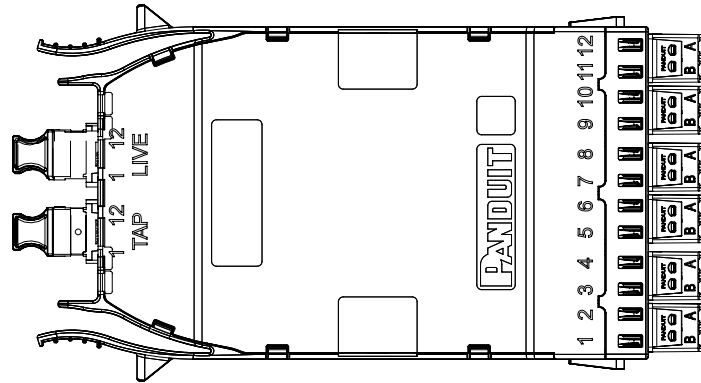


TAP MODULE SPECIFICATIONS		
PART NUMBER	SPLIT RATIO (LIVE/TAP)	CONNECTOR ENDFACE
FHCT-5ZUB	50/50	UPC
FHCT-7ZUB	70/30	UPC

REV	DATE	BY	CHK	APR	DESCRIPTION	ECN
00A	05-02-18	BONS	SAT	EJH	INITIAL RELEASE	17F187AB-DC

TITLE		HDFE TAP MODULE, 6 PORT, LC-MPO	
CUSTOMER DRAWING			
ITEM REVISION NAME	17F187AB/00	PANDUIT	
DATASET FILE NAME	17F187AB_DC/00A		
UNLESS OTHERWISE SPECIFIED, DIMENSIONAL TOLERANCES ARE: IN [mm]		PART NO.	
.x ± .03 [0.8] .xxx ± .005 [0.127]		FHCT-*ZUB	
.xx ± .01 [0.25] ANGLES ± 5		DRAWING NUMBER:	
THIRD ANGLE PROJECTION		17F187AB-DC	
DRAWN BY	DATE	CHK	SCALE
BONS	02-21-18	JESA	NONE
SHT 1 OF 2			SIZE
			A

THIS COPY IS PROVIDED ON A RESTRICTED BASIS AND IS NOT TO BE USED IN ANY WAY DETRIMENTAL TO THE INTERESTS OF PANDUIT CORP.



CHANNEL	INPUT PORT	OUTPUT PORT (50% OR 70% OF POWER)	TAP PORT (50% OR 30% OF POWER)
1	LIVE MPO 1 (REAR)	LC 1 (FRONT)	TAP MPO 1 (REAR)
2	LC 2 (FRONT)	LIVE MPO 2 (REAR)	TAP MPO 2 (REAR)
3	LIVE MPO 3 (REAR)	LC 3 (FRONT)	TAP MPO 3 (REAR)
4	LC 4 (FRONT)	LIVE MPO 4 (REAR)	TAP MPO 4 (REAR)
5	LIVE MPO 5 (REAR)	LC 5 (FRONT)	TAP MPO 5 (REAR)
6	LC 6 (FRONT)	LIVE MPO 6 (REAR)	TAP MPO 6 (REAR)
7	LIVE MPO 7 (REAR)	LC 7 (FRONT)	TAP MPO 7 (REAR)
8	LC 8 (FRONT)	LIVE MPO 8 (REAR)	TAP MPO 8 (REAR)
9	LIVE MPO 9 (REAR)	LC 9 (FRONT)	TAP MPO 9 (REAR)
10	LC 10 (FRONT)	LIVE MPO 10 (REAR)	TAP MPO 10 (REAR)
11	LIVE MPO 11 (REAR)	LC 11 (FRONT)	TAP MPO 11 (REAR)
12	LC 12 (FRONT)	LIVE MPO 12 (REAR)	TAP MPO 12 (REAR)

TITLE
HDFE TAP MODULE, 6 PORT, LC-MPO

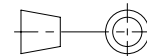
CUSTOMER DRAWING

ITEM REVISION NAME
17F187AB/00

DATASET FILE NAME
17F187AB_DC/00A

UNLESS OTHERWISE SPECIFIED,
DIMENSIONAL TOLERANCES ARE: IN (mm)

.x ± .xxx ± .010 (0.3)
.xx ± .03 (0.8) ANGLES ±



THIRD ANGLE
PROJECTION

PART NO.
FHCT-*ZUB

DRAWING NUMBER:
17F187AB-DC

SEE SHEET 1 FOR REVISION HISTORY

REV	DATE	BY	CHK	APR	DESCRIPTION	ECN	DRAWN BY	DATE	CHK	SCALE	SHT 2 OF 2	SIZE
							BONS	02-21-18	JESA	NONE		A