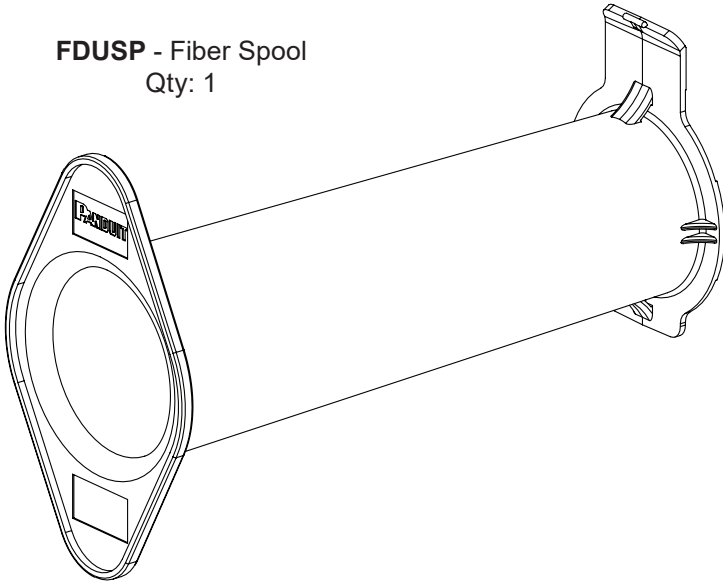
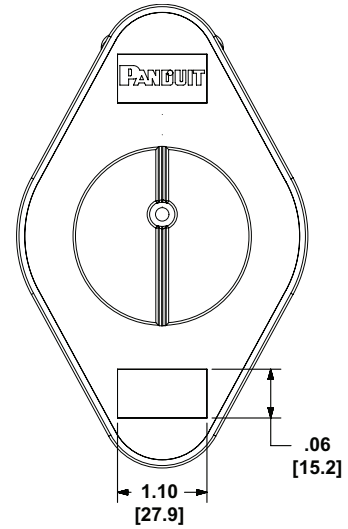


Component included

FDUSP - Fiber Spool
Qty: 1



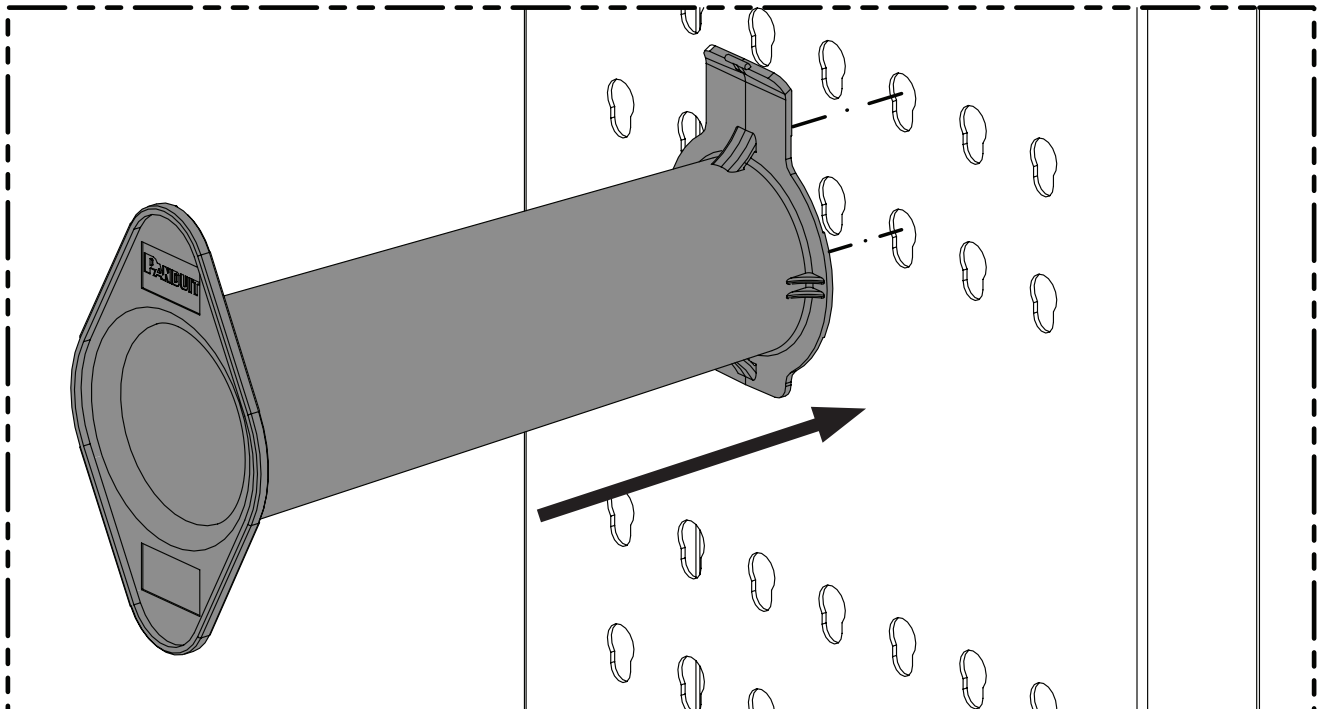
OPTIONAL - Label window shown below will accommodate labels with Panduit part no. **C100X050**T** (sold separately)



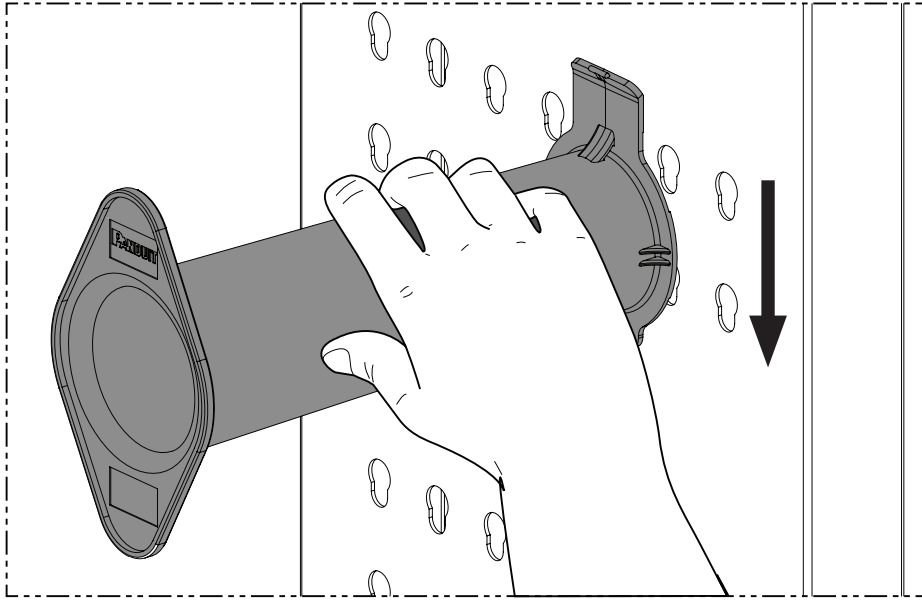
Fiber Spool Installation & Removal

- Install buttons on the back of the Fiber Spool into the keyholes in equipment
- Push Fiber Spool downward until a clicking sound is heard and Fiber Spool is completely engaged
- **Removal** - Use one hand to pull top tab of the Fiber Spool out while simultaneously pushing spool upward

①

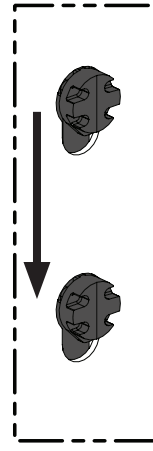


2

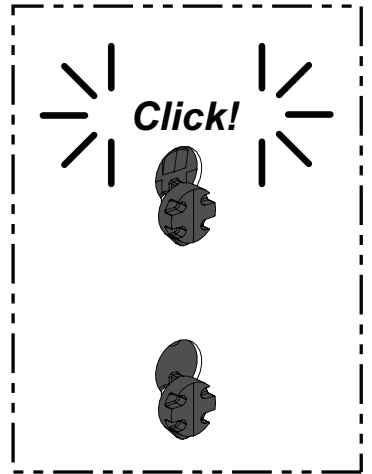


Rear View of Fiber Spool Install

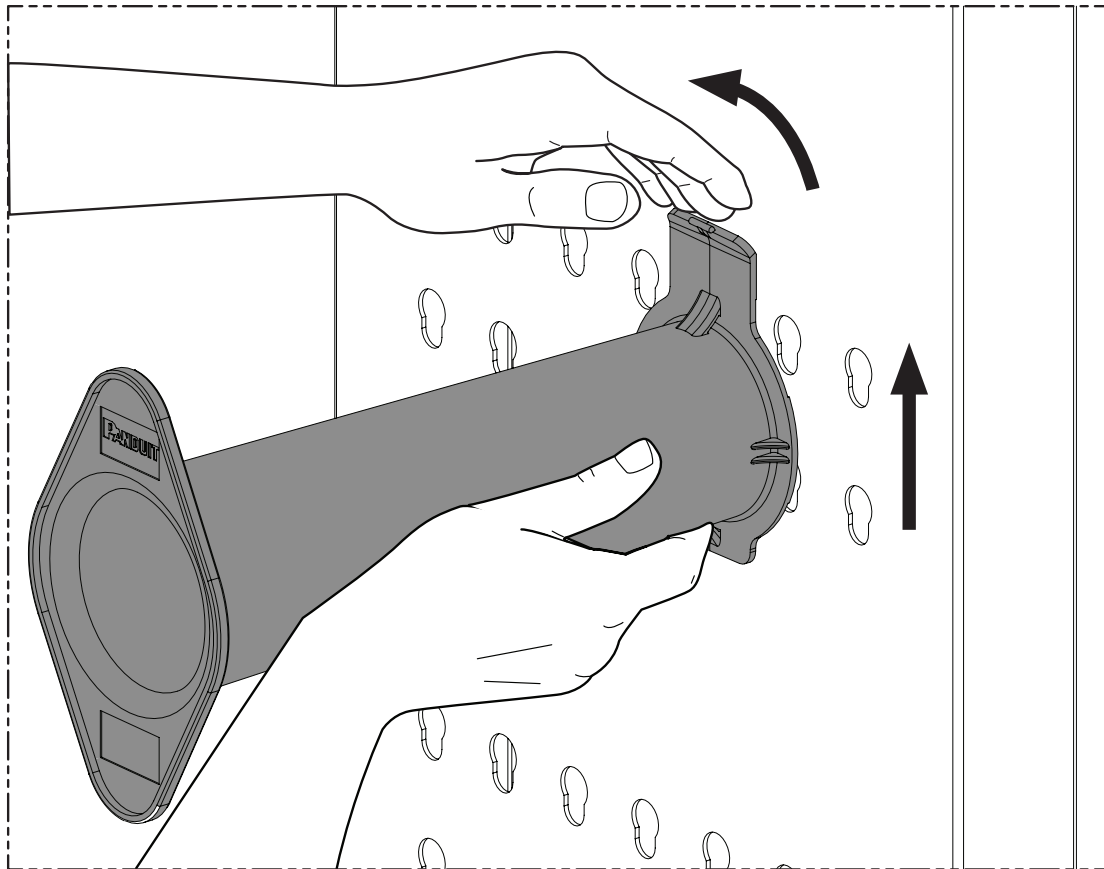
1



2



Fiber Spool Removal



For Instructions in Local Languages
and Technical Support:

www.panduit.com/resources/install_maintain.asp

PANDUIT

www.panduit.com

E-mail:
techsupport@panduit.com

Phone:
866-405-6654