

SPECIFICATIONS

Pedestals shall be available in 8 in. x 8 in. and 10 in. x 10 in. dimensions. Product shall be made of galvanized steel to protect from corrosion. Product shall be available empty or with a Multi-Port Service Terminal (MST) universal mounting bracket capable of holding a maximum MST size of the 12-port terminal. 8 in. pedestal shall be 37 in. in height with a storage capacity of up to 50 ft. of flat MST cable; 10 in. pedestal shall be 43.3 in. in height with a storage capacity of up to 100 ft. of flat MST cable.



TECHNICAL INFORMATION

Attributes:		Cable slack storage cap.	Height in. (mm)	Width in. (mm)	Length in. (mm)	Max. MST Port Density	Int. Equip. Mounting Space W x D, in.
Part Number							
HUB-8	-		37.17 (944.2)	8.43 (214.2)	8.67 (220.1)	12	7.58 x 7.65
HUB-8-MB	50 ft						7.58 x 7.09
HUB-10	-		43.34 (1100.9)	10.83 (275.1)	10.98 (278.9)		9.93 x 10.10
HUB-10-MB	100 ft						9.93 x 9.54
Material:	Galvanized Steel						
Color:	Gray-green						

KEY FEATURES AND BENEFITS

Metal housing:	Made of corrosion resistant galvanized steel
Multiple options:	Available in 8 in. x 8 in. and 10 in. x 10 in. with or without universal MST mounting bracket
Cable slack storage capacity:	Found in pedestals with mounting bracket: 8 in. pedestal can hold up to 50 ft. of flat MST cable and 10 in. pedestal can hold up to 100 ft. of flat MST cable
MST mounting bracket:	Includes universal attachment slots to accommodate other types of fiber equipment eliminating the need to use knockouts which may compromise the corrosion protection.
Grounding bracket:	Grounding and bonding bracket included with Pedestals to protect equipment and technicians while accessing the enclosure

APPLICATIONS

Pedestals are considered an enclosure or housing located above ground that serves as an access point to underground cables which come up into the pedestal where they are terminated to provide a service to a specific number of subscribers or customers; technicians or operators require easy access to these connections to facilitate maintenance or troubleshooting. Pedestals are made of corrosive resistant galvanized steel to withstand the elements; they come in two different sizes, 8 in. x 8 in. and 10 in. x 10 in., empty or with Multi-Port Service Terminal (MST) universal mounting bracket which can accept a maximum MST size of 12-port configuration. The mounting bracket has universal attachments to accommodate other types of fiber equipment.

Pedestals

8 in. pedestal:	HUB-8
10 in. pedestal:	HUB-10
8 in. pedestal with universal mounting bracket:	HUB-8-MB
10 in. pedestal with universal mounting bracket:	HUB-10-MB

Accessories

32 in. stake:	HUB-S32
42 in. stake:	HUB-S42



Build America, Buy America compliant for purchases shipped to customers in the United States.



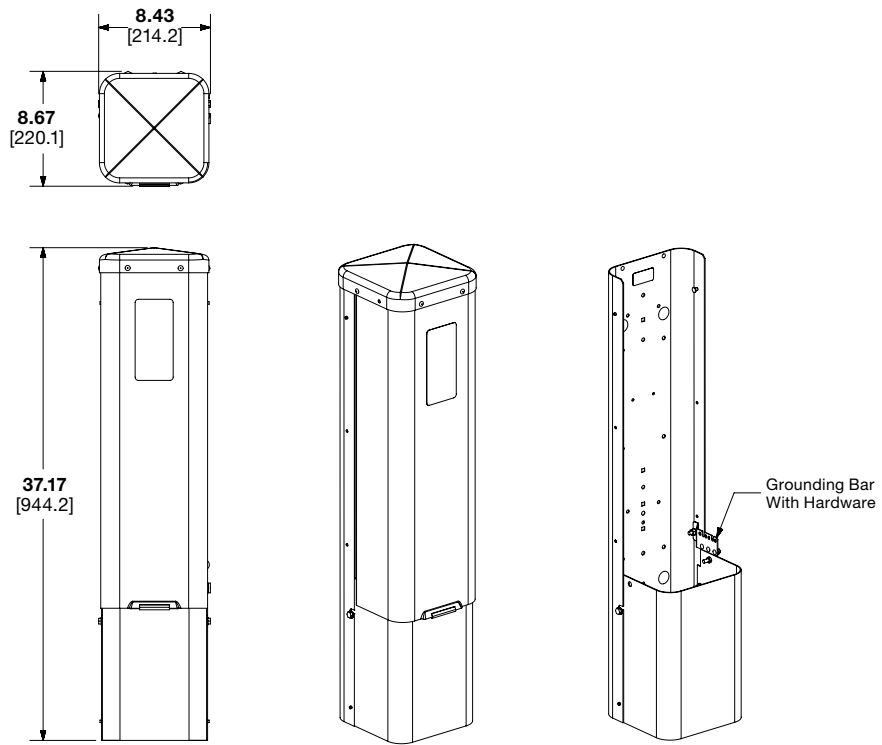
All listed part numbers are compliant with the U.S. Trade Agreements Act (TAA) for purchases shipped to customers in the United States.

Be sure to consult the applicable project terms to ensure you are supplying compliant product. This document does not provide legal advice and buyer is responsible for its own compliance with applicable laws and regulations.

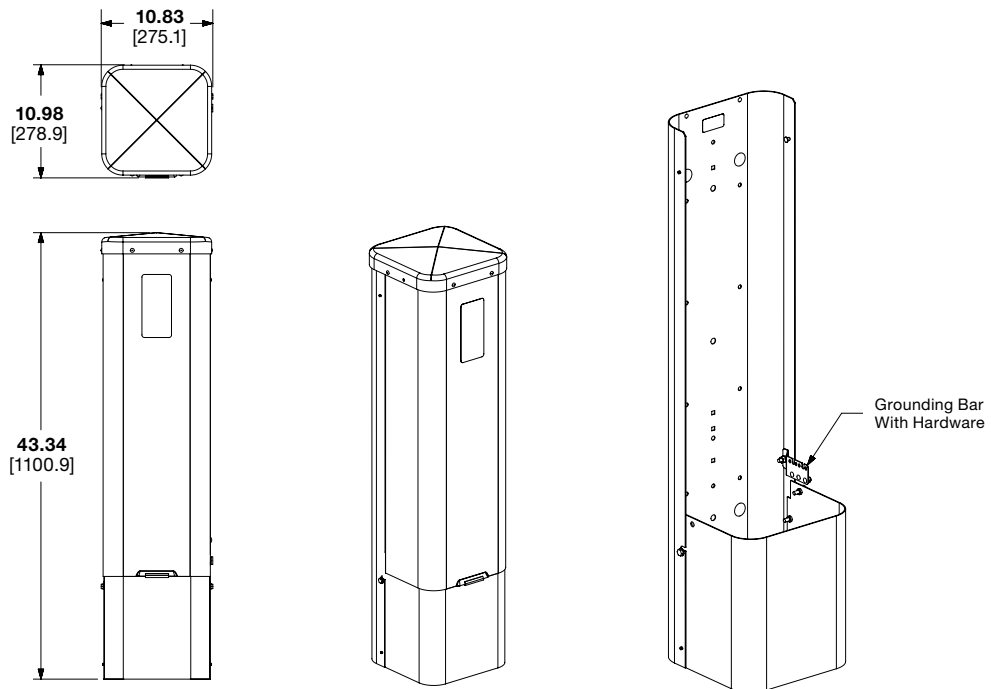
Pedestals

ENGINEERING DRAWINGS

HUB-8



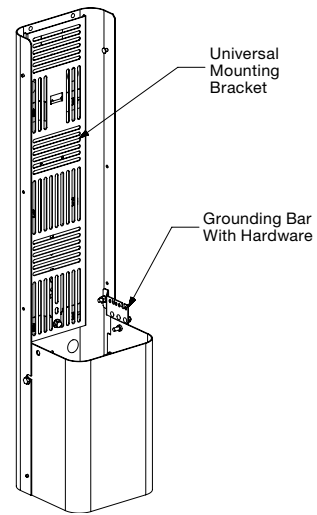
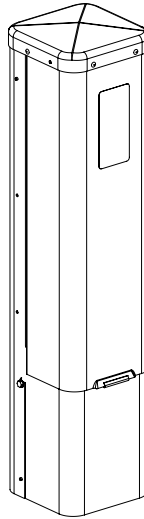
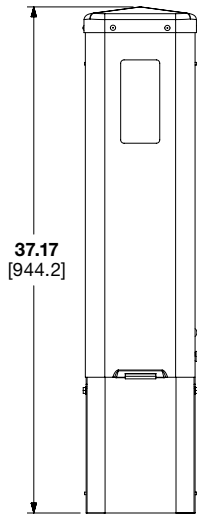
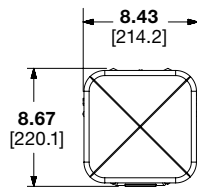
HUB-10



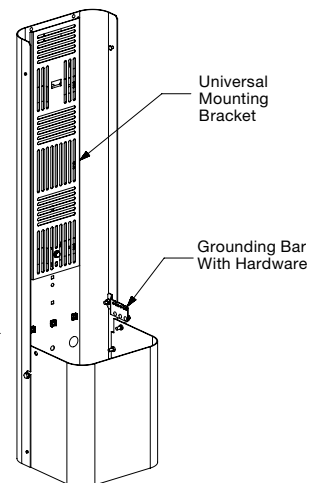
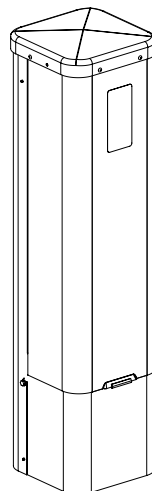
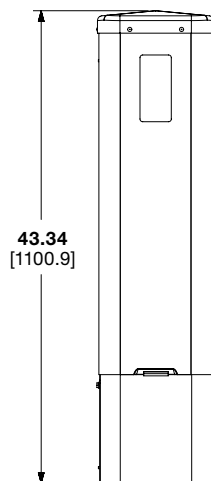
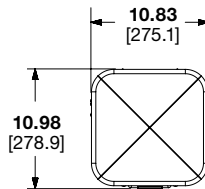
Pedestals

ENGINEERING DRAWINGS (CONTINUED)

HUB-8-MB

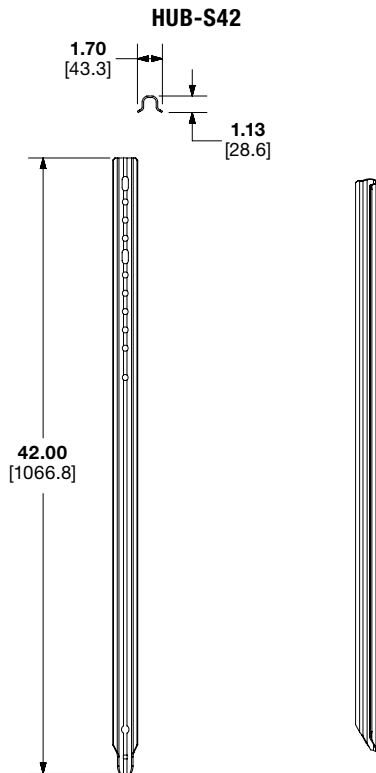
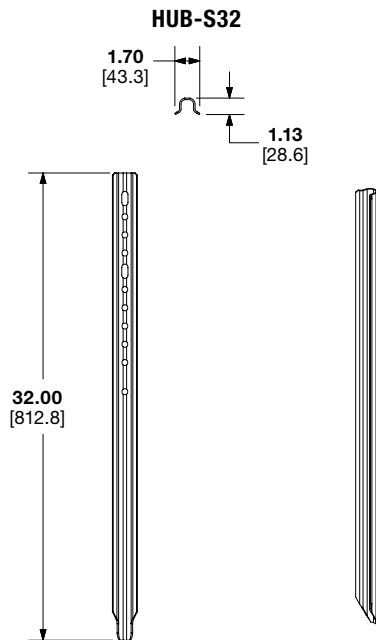


HUB-10-MB



Pedestals

ENGINEERING DRAWINGS (CONTINUED)



Dimensions are in inches. [Dimensions in brackets are metric].

WORLDWIDE SUBSIDIARIES AND SALES OFFICES

PANDUIT US/CANADA
Phone: 800.777.3300

PANDUIT EUROPE LTD.
London, UK
Phone: 44.20.8601.7200

PANDUIT SINGAPORE PTE. LTD.
Republic of Singapore
Phone: 65.6305.7575

PANDUIT JAPAN
Tokyo, Japan
Phone: 81.3.6863.6000

PANDUIT LATIN AMERICA
Guadalajara, Mexico
Phone: 52.33.3777.6000

PANDUIT AUSTRALIA PTY. LTD.
Victoria, Australia
Phone: 61.3.9794.9020

For a copy of Panduit product warranties, log on to www.panduit.com/warranty

PANDUIT[®]

For more information
Visit us at www.panduit.com
Contact Customer Service by email: cs@panduit.com
or by phone: 800.777.3300

© 2024 Panduit Corp.
ALL RIGHTS RESERVED.
FBSP268-WW-ENG
6/2024