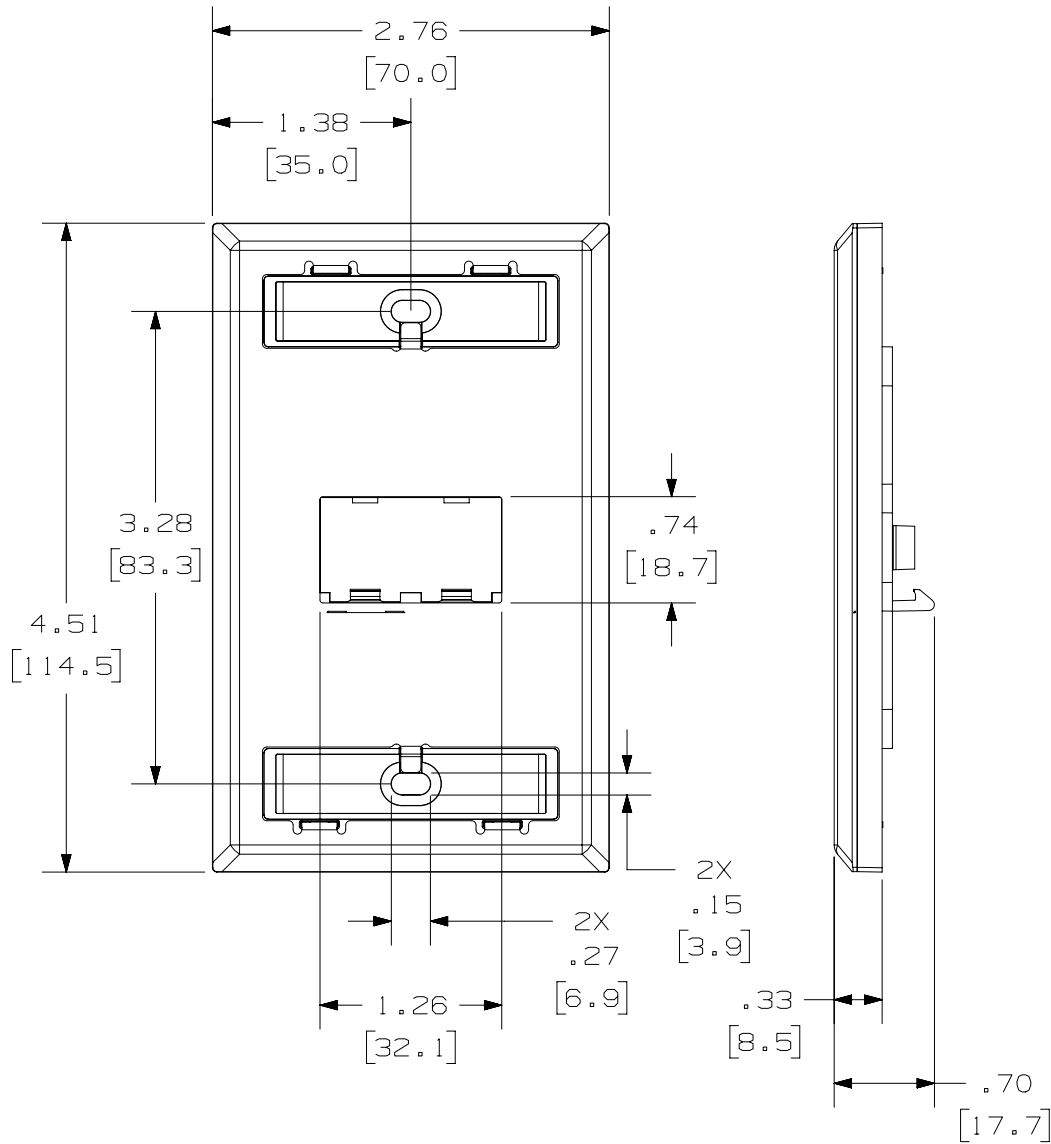
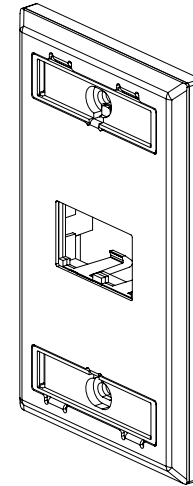


THIS COPY IS PROVIDED ON A RESTRICTED BASIS AND IS NOT TO BE USED IN ANY WAY DETRIMENTAL TO THE INTERESTS OF PANDUIT CORP.



NOTES:

1. VISIT OUR ON-LINE CATALOG AT WWW.PANDUIT.COM FOR A LIST OF CURRENT PARTS APPLICABLE FOR USE WITH THIS PRODUCT.
2. DIMENSIONS IN [] ARE METRIC.
3. ALL MATERIALS AND COMPONENTS USED MEET THE MATERIAL RESTRICTIONS OF RoHS (EUROPEAN DIRECTIVE 2011/65/EU ON THE RESTRICTION OF HAZARDOUS SUBSTANCES) AS PROPOSED BY THE RoHS TECHNICAL ADAPTATION COMMITTEE.
4. WEIGHT: 1.0 lb/10 PCS [458.1g/10 PCS]
5. PART INCLUDES:
 - 1- FACEPLATE
 - 2- #6-32 X 1" MOUNTING SCREWS
 - 2- LABELS
 - 2- LABEL COVERS



PART NUMBER		CFPL2SU		
TITLE				
MINI-COM™ 2 POSITION STAINLESS STEEL FACEPLATE WITH LABELS CUSTOMER DRAWING				
ITEM REVISION NAME		03198NAA/01		
DATASET FILE NAME		03198NAA_DC/01A		
MATERIAL		FACEPLATE 304 S.S. BACKING ABS		
DRAWING NUMBER		03198NAA-DC		
DRAWN BY		DATE	CHK	SCALE
BJN		01-04-24	MDJR	NONE
SHEET 1 OF 1		A		

REV	DATE	BY	CHK	APR	DESCRIPTION	ECN
01A	4-23-24	MDJR	MDJR	MDJR	REV CHANGE ONLY	M09000V0/01
00A	01-04-24	BJN	MDJR	MMR	INITIAL RELEASE	M09000V0/00

A-SIZE CUSTOMER