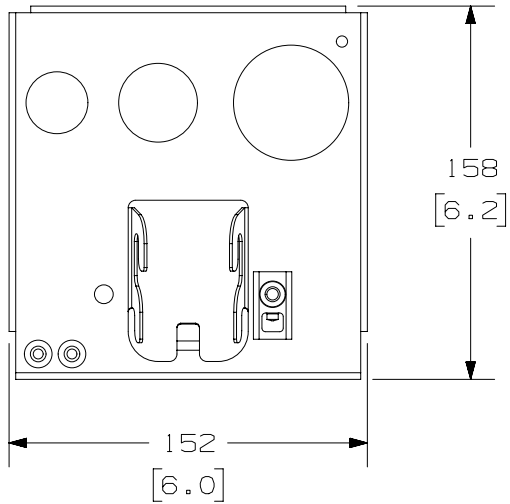
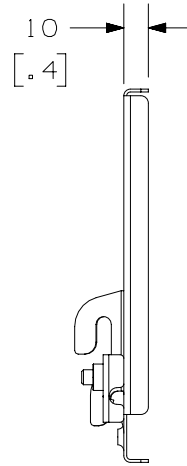
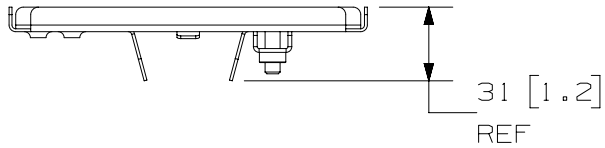


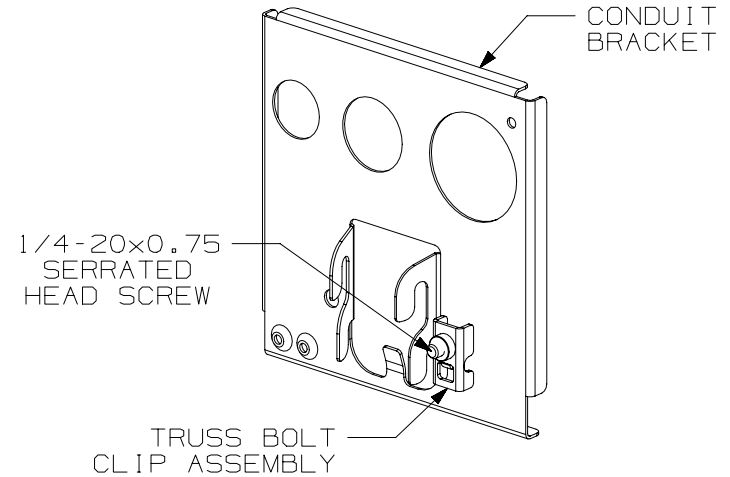
THIS COPY IS PROVIDED ON A RESTRICTED BASIS AND IS NOT TO BE USED IN ANY WAY DETRIMENTAL TO THE INTERESTS OF PANDUIT CORP.

NOTES

1. SEE CATALOG FOR ADDITIONAL PART NUMBER SUFFIXES TO INDICATE PART FINISHES.
2. PARTS SUPPLIED:
 - (1) CONDUIT BRACKET, FITTING FOR 3/4", 1" & 1-1/2" OPENINGS
 - (1) TRUSS BOLT CLIP ASSEMBLY
 - (1) 1/4-20x0.75" SERRATED HEAD SCREW
 - (1) OPTIONAL GROUNDING ACCESSORY GACBJ6*U (NOT SHOWN)
 - (1) INSTRUCTION SHEET (NOT SHOWN)
3. PRIMARY DIMENSIONS ARE IN MILLIMETERS.



PANDUIT PART NO.	WEIGHT
WGCB3EZ	1.2 kg/EACH 0.54 LBS/EACH



00A	4/30/19	MEX-JAGC	FWI	FWI	DRAWING RELEASE				V09001YG/00
REV	DATE	BY	CHK	APR	DESCRIPTION	ECN			

TITLE		WYR-GRID CONDUIT BRACKET WITH OPENINGS (WGCB3EZ)	
		CUSTOMER DRAWING	
ITEM REVISION NAME		00371EAH/00	
DATASET FILE NAME		00371EAH_DC/00A	
MATERIAL:		N/A	
DRAWING NUMBER:		00371EAH-DC	
DRAWN BY		DATE	CHK
MEX-JAGC	4/30/19	FWI	SCALE
			NONE
SHT 1 OF 1		SIZE	
		A	

N:\GLOBAL_AS\SIZE

2

1

2

1