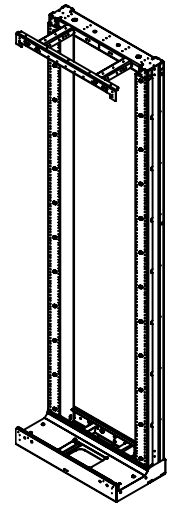
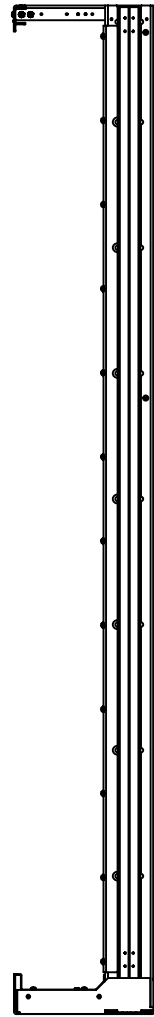
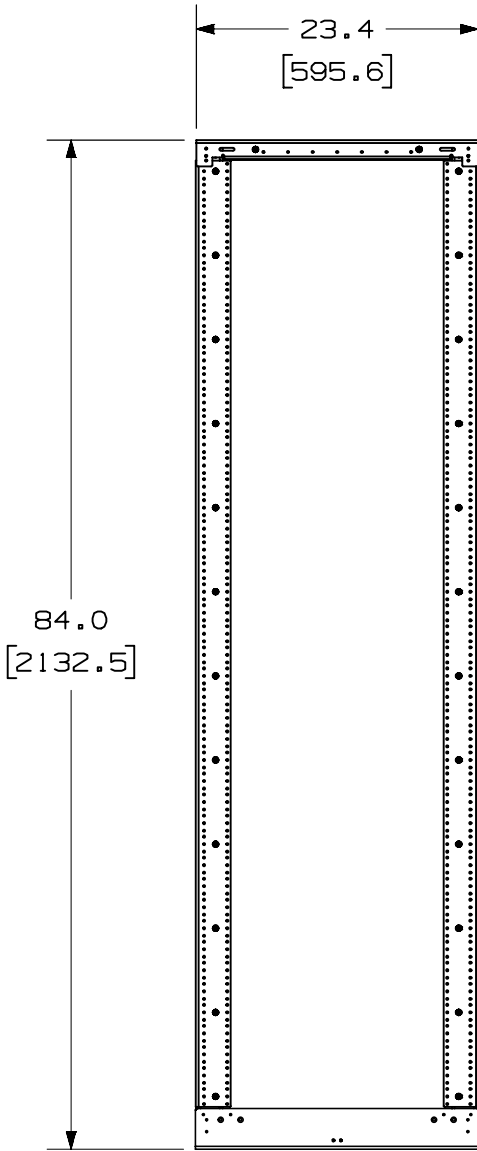


THIS COPY IS PROVIDED ON A RESTRICTED BASIS AND IS NOT TO BE USED IN ANY WAY DETRIMENTAL TO THE INTERESTS OF PANDUIT CORP.

NOTES:

- VISIT OUR ON-LINE CATALOG AT WWW.PANDUIT.COM FOR A LIST OF CURRENT PARTS APPLICABLE FOR USE WITH THIS PRODUCT.
- DIMENSIONS IN [] ARE METRIC.
- ALL MATERIALS AND COMPONENTS USED MEET THE MATERIAL RESTRICTIONS OF RoHS (EUROPEAN DIRECTIVE 2011/65/EU ON THE RESTRICTION OF HAZARDOUS SUBSTANCES) AS PROPOSED BY THE RoHS TECHNICAL ADAPTATION COMMITTEE.
- WEIGHT: 150lbs (68kg)
- PART INCLUDES:
 - (1) SEISMIC FRAME
 - (4) SEISMIC WASHERS
 - (1) LOWER PATHWAY
 - (2) 12-24 TAPPED EQUIPMENT RAILS WITH EIA UNIVERSAL HOLE PROGRESSION
- FULLY BONDED STRUCTURE



PART NUMBER	PAINT COLOR
FDF45GY	GRAY
FDF45BL	BLACK

PART NUMBER		SEE TABLE		
TITLE				
FDF45** - ODF 45RU FA FRAME ASSM				
CUSTOMER DRAWING				
ITEM REVISION NAME		00984EAD/04		
DATASET FILE NAME		00984EAD_DC_R04A		
MATERIAL		N/A		
DRAWING NUMBER		00984EAD-DC		
DRAWN BY		DATE	CHK	SCALE
SAT		01-26-22	ACBR	NONE
SHEET 1 OF 1				SIZE
				A

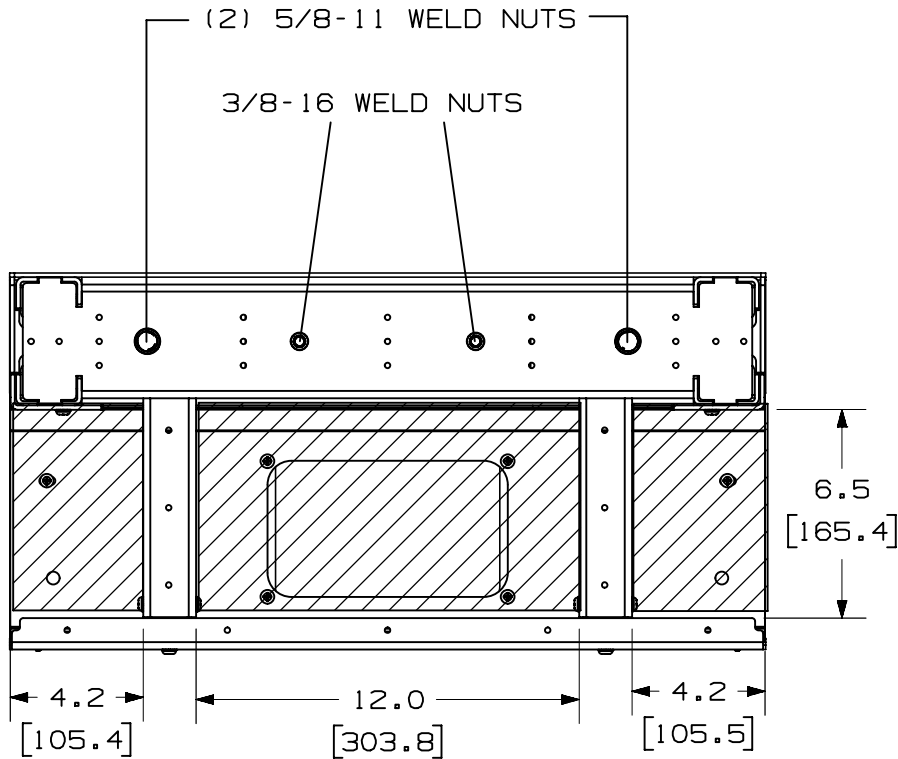
A-SIZE CUSTOMER

04A	01-26-22	SAT	ACBR	GB-SJMO	INITIAL RELEASE	00984EAD-DC
REV	DATE	BY	CHK	APR	DESCRIPTION	ECN

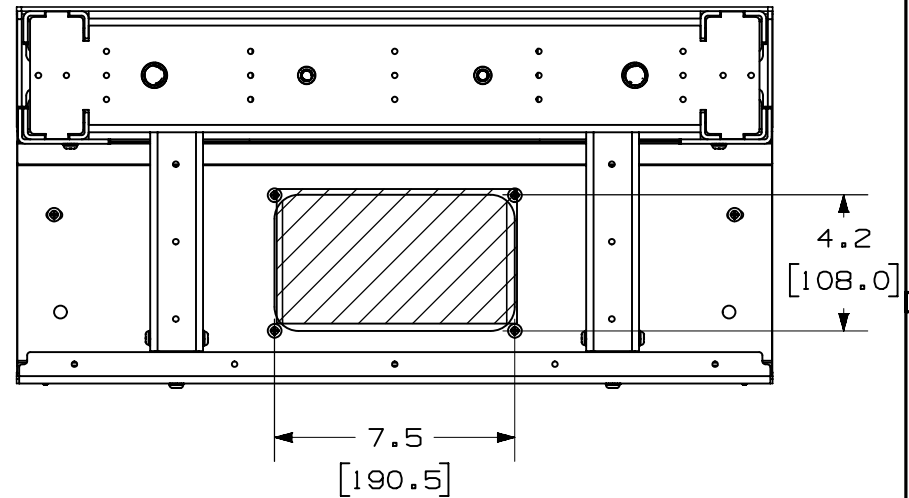
2

1

THIS COPY IS PROVIDED ON A RESTRICTED BASIS AND IS NOT TO BE USED IN ANY WAY DETRIMENTAL TO THE INTERESTS OF PANDUIT CORP.



OVERHEAD INCOMING CABLE OPEN AREA



UNDERFLOOR INCOMING CABLE OPEN AREA

PART NUMBER		SEE TABLE ON SHEET 1		
TITLE		FDF45** - ODF 45RU FA FRAME ASSM		
		CUSTOMER DRAWING		
ITEM REVISION NAME		00984EAD/04		
DATASET FILE NAME		00984EAD_DC_R04A		
		THIRD ANGLE PROJECTION		
MATERIAL		N/A		DRAWING NUMBER
				00984EAD-DC
DRAWN BY	DATE	CHK	SCALE	SIZE
SAT	01-26-22	ACBR	NONE	A
SHEET 1 OF 1				

REV	DATE	BY	CHK	APR	DESCRIPTION	ECN
04A	01-26-22	SAT	ACBR	GB-SJMO	SEE SHEET 1 FOR REVISIONS	00984EAD-DC