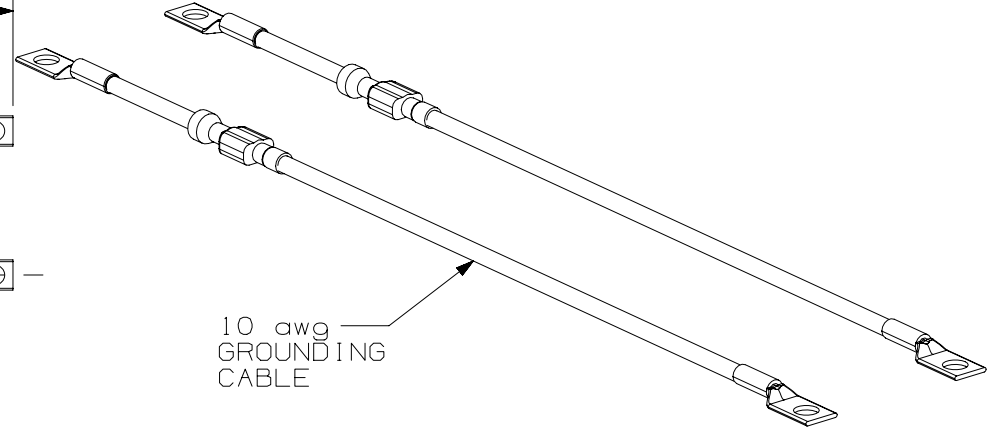
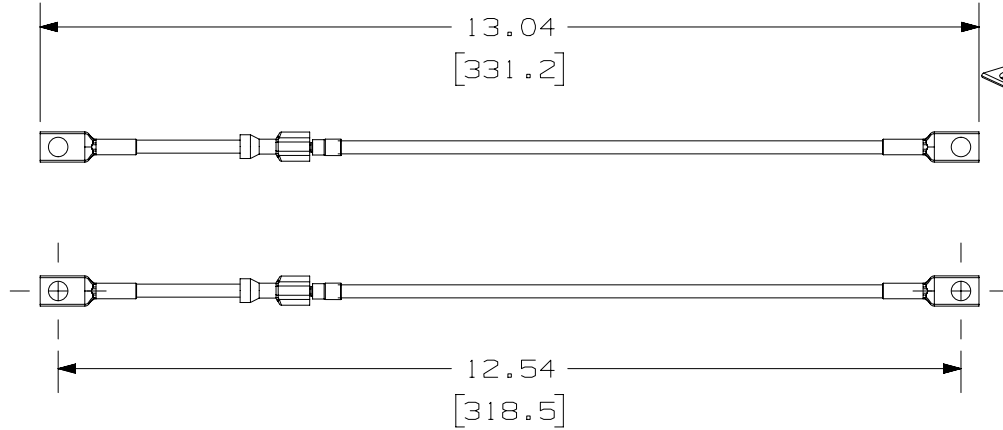


THIS COPY IS PROVIDED ON A RESTRICTED BASIS AND IS NOT TO BE USED IN ANY WAY DETRIMENTAL TO THE INTERESTS OF PANDUIT CORP.

NOTES:

1. VISIT OUR ON-LINE CATALOG AT WWW.PANDUIT.COM FOR A LIST OF CURRENT PARTS APPLICABLE FOR USE WITH THIS PRODUCT.
2. DIMENSIONS IN [] ARE METRIC.
3. ALL MATERIALS AND COMPONENTS USED MEET THE MATERIAL RESTRICTIONS OF RoHS (EUROPEAN DIRECTIVE 2011/65/EU ON THE RESTRICTION OF HAZARDOUS SUBSTANCES) AS PROPOSED BY THE RoHS TECHNICAL ADAPTATION COMMITTEE.
4. WEIGHT: .2 LB [0.09 kg]
5. PART INCLUDES:
 - 2 - 10 awg GROUNDING CABLES
 - 4 - #10 BONDING NUTS
 - 1 - CLEANING PAD
 - 1 - ANTI-OX PASTE



PART NUMBER		WMEGK		
TITLE		WME GROUNDING KIT		
		CUSTOMER DRAWING		
ITEM REVISION NAME		00490EAL/00		
DATASET FILE NAME		00490EAL_DC/00A		
		THIRD ANGLE PROJECTION		
MATERIAL		STEEL		DRAWING NUMBER
				00490EAL - DC
DRAWN BY	DATE	CHK	SCALE	SIZE
TWV	5-19-20	KZU	1:4	A

A-SIZE CUSTOMER

00A	5-19-20	TWV	KZU	BETL	RELEASED TO PRODUCTION	M09000L0
REV	DATE	BY	CHK	APR	DESCRIPTION	ECN