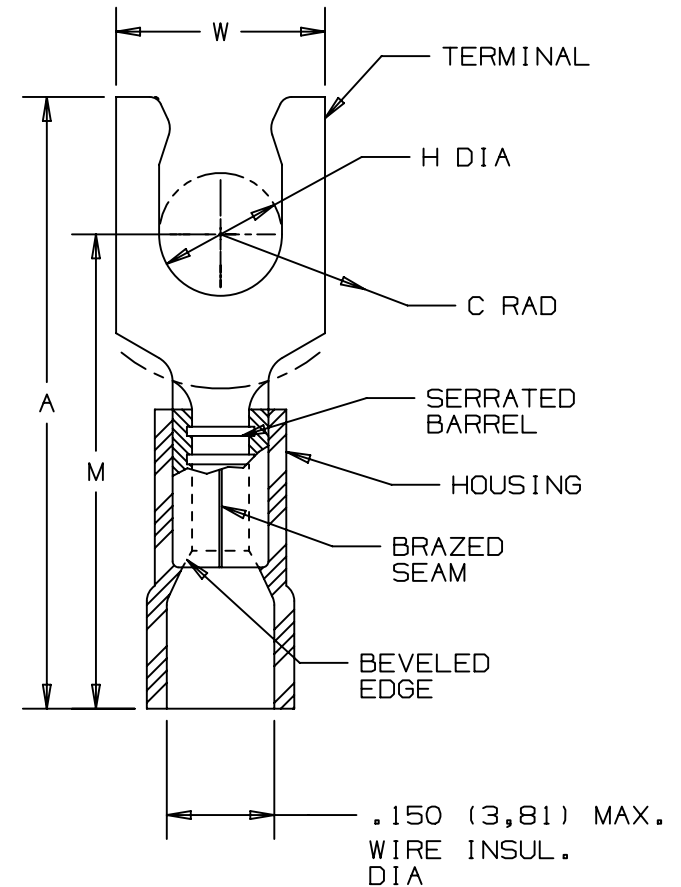


THIS COPY IS PROVIDED ON A RESTRICTED BASIS AND IS NOT TO BE USED IN ANY WAY DETRIMENTAL TO THE INTERESTS OF PANDUIT CORP.

PANDUIT PART NUMBER	STUD SIZE	DIMENSIONS - in.					TOOLS
		A ± .03	W ± .01	C ± .02	M ± .03	H ± .01	
PV18-6LF	#6	.90 (22.9)	.27 (6.9)	.22 (5.6)	.68 (17.3)	.14 (3.6)	CT-100A CT-600A (CT-500CH) CT-600A (CT-550CH) CT-1550 CT-1551
PV18-6LFW	#6	.90 (22.9)	.29 (7.4)	.22 (5.6)	.68 (17.3)	.14 (3.6)	
PV18-8LF	#8	.97 (24.6)	.29 (7.4)	.25 (6.4)	.73 (18.5)	.16 (4.1)	
PV18-10LF	#10	.97 (24.6)	.33 (8.4)	.25 (6.4)	.73 (18.5)	.19 (4.8)	
PV18-10LFN	#10	.97 (24.6)	.29 (7.4)	.25 (6.4)	.73 (18.5)	.19 (4.8)	



NOTES:

- cULus LISTED FOR:
  - A. 600V MAX VOLTAGE RATING (1000V. MAX. IN SIGNS, FIXTURES & LUMINARIES)
  - B. 221° F (105° C) MAX TEMP RATING
  - C. #22-18 AWG STRANDED COPPER WIRE
- SEE WWW.PANDUIT.COM FOR PACKAGE QUANTITIES
- MATERIAL:
  - A. STAMPING - .032" (.81) THK, COPPER TIN PLATED
  - B. HOUSING - VINYL, RED
- DIMENSIONS IN BRACKETS ARE IN MILLIMETERS
- WIRE STRIP LENGTH:  $5/16 + 1/32$  (7.9 + .8) - 0



					TITLE <b>#22-18 BARREL FUNNELED VINYL INSULATED LOCKING FORK, .150 [3.81] MAX. WIRE INSULATION DIAMETER</b>						
					CUSTOMER DRAWING						
					ITEM REVISION NAME N41288BA/12						
					DATASET FILE NAME N41288BA/12						
					UNLESS OTHERWISE SPECIFIED, DIMENSIONAL TOLERANCES ARE: IN [mm]						
					MATERIAL: SEE NOTES						
					DRAWING NUMBER: <b>A41288</b>						
12	07/14	MBY	JHNU	RGB	REVISED NOTES, MOVED TOOLS TO TABLE, REVISED CERTIFICATION, UPDATED BORDER					N41288BA-A41288	
REV	DATE	BY	CHK	APR	DESCRIPTION					ECN	
					DRAWN BY	DATE	CHK	SCALE			
					MS		LA	NONE			
					THIRD ANGLE PROJECTION					SHT 1 OF 1	A

D101000A/16