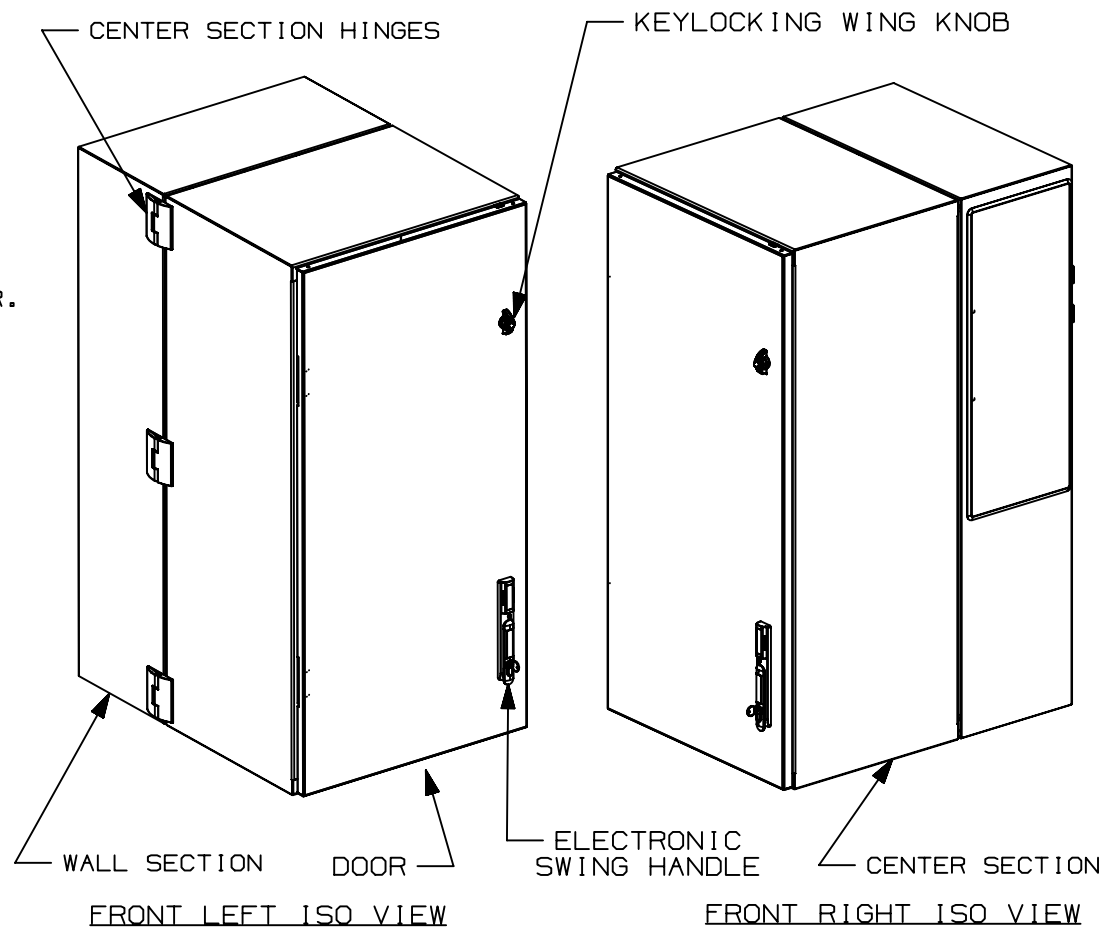


THIS COPY IS PROVIDED ON A RESTRICTED BASIS AND IS NOT TO BE USED IN ANY WAY DETRIMENTAL TO THE INTERESTS OF PANDUIT CORP.

NOTES:

1. VISIT OUR ON-LINE CATALOG AT WWW.PANDUIT.COM FOR A LIST OF CURRENT PARTS APPLICABLE FOR USE WITH THIS PRODUCT.
2. DIMENSIONS IN PARENTHESES ARE METRIC [mm].
3. CAN BE USED WITH ANY 19" CEA STANDARD PANEL.
4. PARTS SUPPLIED:
 - 26RU DUAL HINGE NEMA 4/12 ENCLOSURE
 - KEYLOCKING WING KNOB
 - ELECTRONIC SWING HANDLE WITH CARD READER PROVIDING ACCESS CONTROL TO THE ENCLOSURE:
 - P/N: ACF05 (HANDLE)
 - P/N: ACF20 (HARNESS)
 - ACCOMMODATIONS FOR AN OPTIONAL AIR CONDITIONER.
 - RAL 7035 LIGHT-GRAY, LOW GLOSS, LIGHTLY TEXTURED POLYESTER POWDER COAT
 - INSTALLED FRONT AND REAR CAGE NUT RAILS IN OPTIMIZED POSITIONS FOR EQUIPMENT MOUNTING.
 - INSTALLED POWER RECEPTACLE
 - INSTALLED FIBER ENCLOSURE (72 FIBER CAPACITY)
 - INSTALLED (2) 48-PORT PATCH PANELS
 - INSTALLED CABLE MANAGEMENT
 - INSTALLED DOOR GROUND WHIPS, EQUIPMENT GROUND WHIPS (ONE END)
 - INSTALLED GROUND BAR
 - INFRASTRUCTURE GROUND CABLE
 - POWER CORDS, LABELED AND LENGTH OPTIMIZED
 - 10" LONG DIN RAIL MOUNTING PROVISION
 - CABLE/FIBER/POWER PENETRATION HARDWARE KIT
 - MOUNTING INSTRUCTIONS
5. CENTER HINGED SECTION
MAXIMUM LOAD RATING: 350 LBS [158.8 kg].
6. SEE PAGE 2 FOR A LIST OF PART NUMBERS.

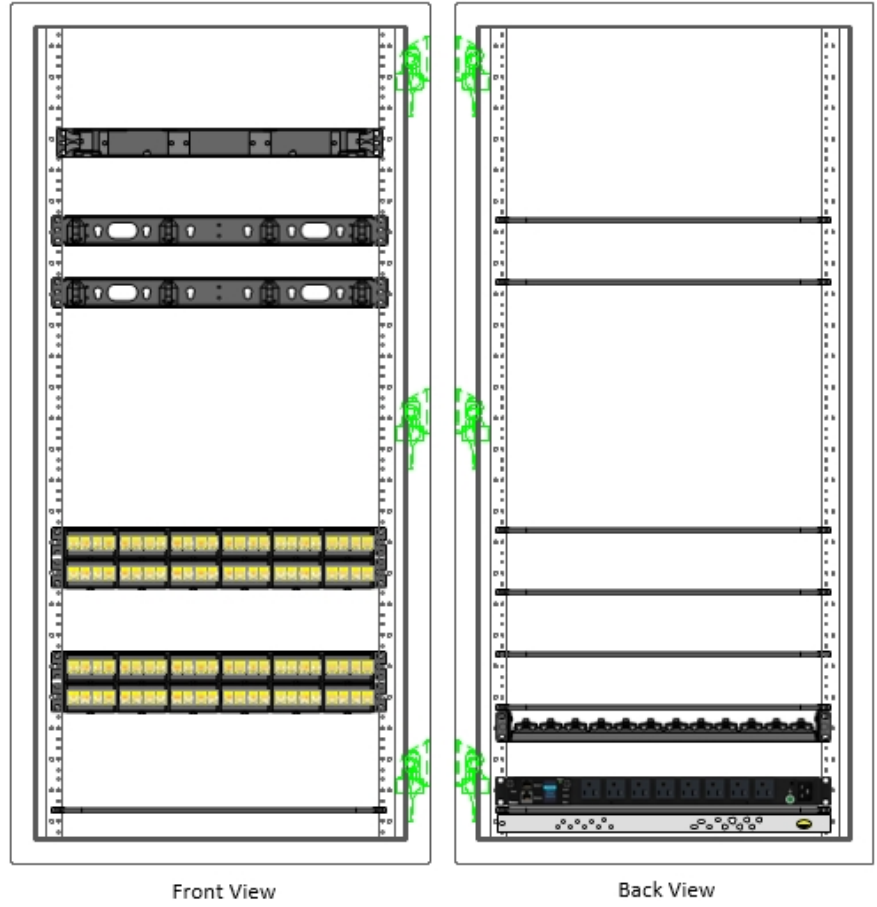


SHIPPING LENGTH	57"
SHIPPING WIDTH	39"
SHIPPING HEIGHT	35-1/4"
SHIPPING WEIGHT	285 lbs. 129.3 kg.
ENCLOSURE WEIGHT	233 lbs. 105.7 kg.

TITLE		ZDF48-RA*** PRECONFIGURED 48" INDUSTRIAL DISTRIBUTION FRAME WITH ACCESS CONTROL	
CUSTOMER DRAWING			
ITEM REVISION NAME	00377EBG/02		
DATASET FILE NAME	00377EBG_DC/02B		
UNLESS OTHERWISE SPECIFIED, DIMENSIONAL TOLERANCES ARE: IN [mm]		MATERIAL:	
.x ± .1 [2.54]	.xxx ± .015 [0.38]	SEE NOTES	
.xx ± .03 [0.76]	ANGLES ± 5 °		
THIRD ANGLE PROJECTION		DRAWING NUMBER:	
		00377EBG_DC	
DRAWN BY	DATE	CHK	SCALE
JBO	4/11/19	SCL	NONE
SHT 1 OF 4		SIZE	
		A	

02B	5/6/21	JBO	SCL	KGA	D. REMOVED PART NUMBERS	00377EBG
REV	DATE	BY	CHK	APR	DESCRIPTION	ECN

THIS COPY IS PROVIDED ON A RESTRICTED BASIS AND IS NOT TO BE USED IN ANY WAY DETRIMENTAL TO THE INTERESTS OF PANDUIT CORP.



FRONT EQUIPMENT LOCATIONS

RU 23	FRME1U	FIBER ENCLOSURE
RU 20	CMPHF1	HORIZONTAL CABLE MANAGER
	CMPH1C	SNAP-ON COVER
RU 18	CMPHF1	HORIZONTAL CABLE MANAGER
	CMPH1C	SNAP-ON COVER
RU 9-10	CPP48WBLY	48 PORT COPPER PATCH PANEL
RU 8- TOP	03137-01	STRAIN RELIEF BAR, 7"
RU 5-6	CPP48WBLY	48 PORT COPPER PATCH PANEL
RU 4- TOP	03137-01	STRAIN RELIEF BAR, 7"
RU 1- TOP	00741-09	STRAIN RELIEF BAR, STRAIGHT

REAR EQUIPMENT LOCATIONS

RU20- TOP	00741-09	STRAIN RELIEF BAR, STRAIGHT
RU18- TOP	00741-09	STRAIN RELIEF BAR, STRAIGHT
RU10- TOP	00741-09	STRAIN RELIEF BAR, STRAIGHT
RU8- TOP	00742-91	STRAIN RELIEF BAR, 2"
RU6- TOP	00741-09	STRAIN RELIEF BAR, STRAIGHT
RU5- BOTTOM	00742-91	STRAIN RELIEF BAR, 2"
RU4	SRBBRWC	STRAIN RELIEF BAR
RU3	VARIOUS	PDU WITH 2RU FORM FACTOR
RU2	VARIOUS	PDU
RU1- TOP	00741-09	STRAIN RELIEF BAR, STRAIGHT
RU1- MIDDLE	RGRB19CN	GROUND BAR

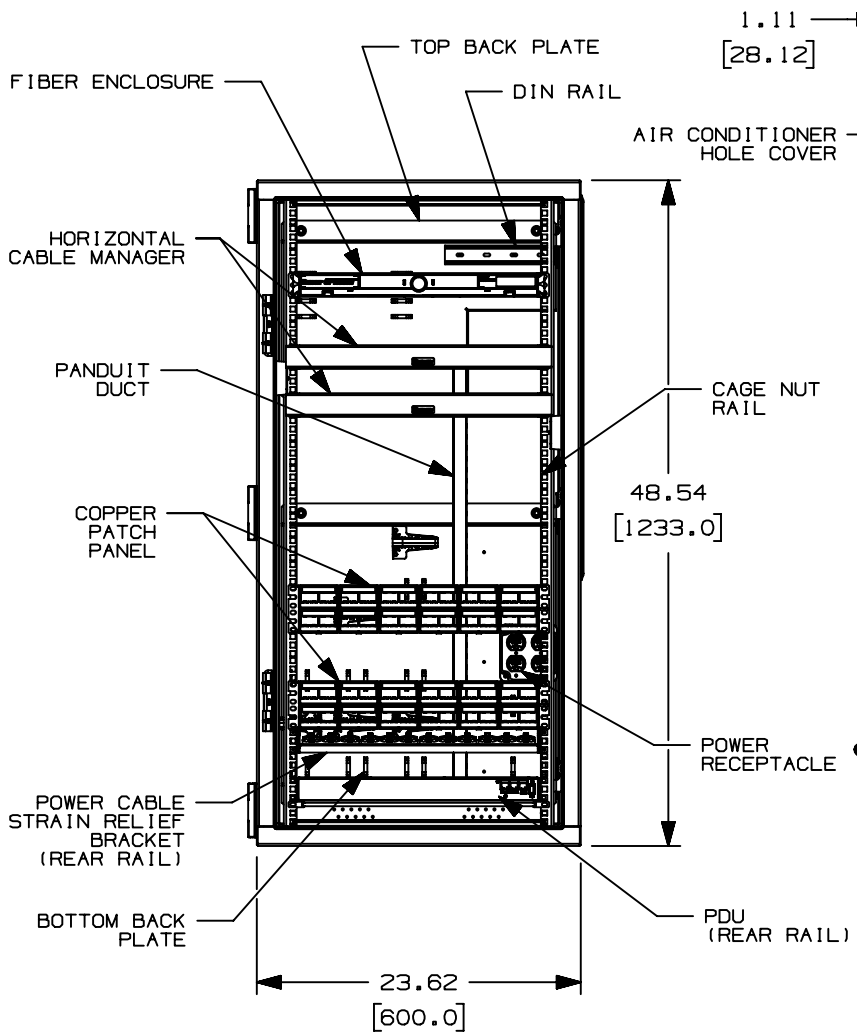
Front View

Back View

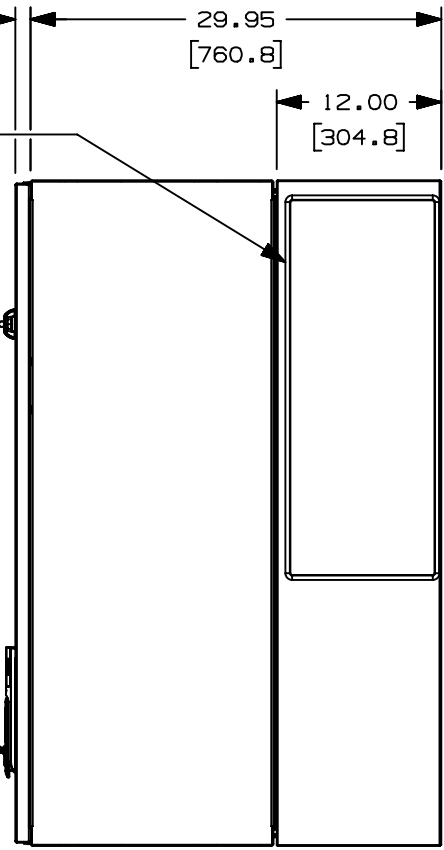
PART NUMBER	PDU	HANDLE	REGION
ZDF48-RADA2	P08D09M	ACF05	NORTH AMERICA

<p>TITLE</p> <p>ZDF48-RA*** PRECONFIGURED 48" INDUSTRIAL DISTRIBUTION FRAME WITH ACCESS CONTROL</p> <p>CUSTOMER DRAWING</p>				
<p>ITEM REVISION NAME</p> <p>00377EBG/02</p>				
<p>DATASET FILE NAME</p> <p>00377EBG_DC/02B</p>				
<p>UNLESS OTHERWISE SPECIFIED, DIMENSIONAL TOLERANCES ARE: IN [mm]</p> <p>.x ± .1 [2.54] .xxx ± .015 [0.38]</p> <p>.xx ± .03 [0.76] ANGLES ± 5 °</p>			<p>MATERIAL:</p> <p>SEE SHEET 1 NOTES</p>	
<p>DRAWN BY</p> <p>JBO</p>		<p>DATE</p> <p>4/11/19</p>	<p>CHK</p> <p>SCL</p>	<p>SCALE</p> <p>NONE</p>
<p>REV</p> <p>02B</p>		<p>DATE</p> <p>5/6/21</p>	<p>BY</p> <p>JBO</p>	<p>CHK</p> <p>SCL</p>
<p>APR</p> <p>KGA</p>		<p>REFER TO SHEET 1 FOR REVISION CONTROL</p>		<p>ECN</p> <p>00377EBG</p>
<p>DESCRIPTION</p>		<p>THIRD ANGLE PROJECTION</p>		<p>DRAWING NUMBER:</p> <p>00377EBG_DC</p>
<p>DESCRIPTION</p>		<p>SHT 2 OF 4</p>		<p>SIZE</p> <p>A</p>

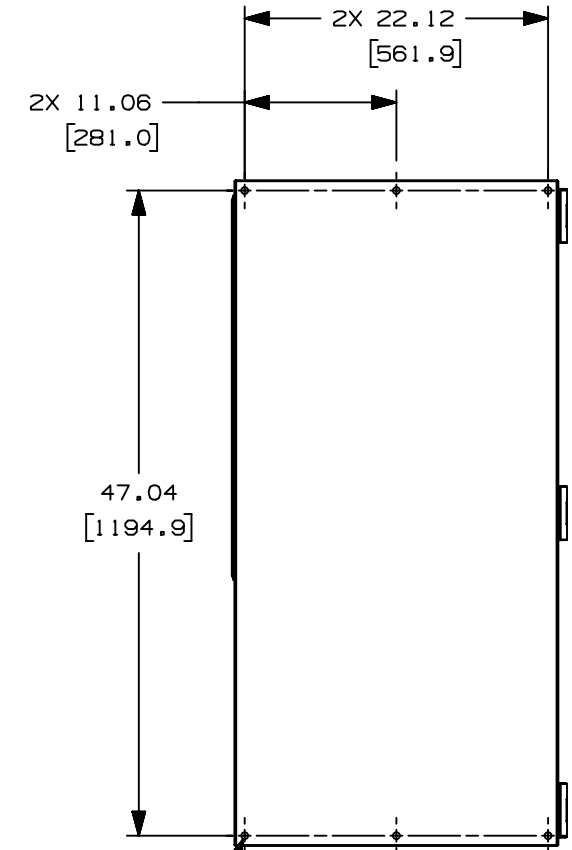
THIS COPY IS PROVIDED ON A RESTRICTED BASIS AND IS NOT TO BE USED IN ANY WAY DETRIMENTAL TO THE INTERESTS OF PANDUIT CORP.



FRONT VIEW
DOOR HIDDEN TO SHOW
INSIDE DETAILS



SIDE VIEW



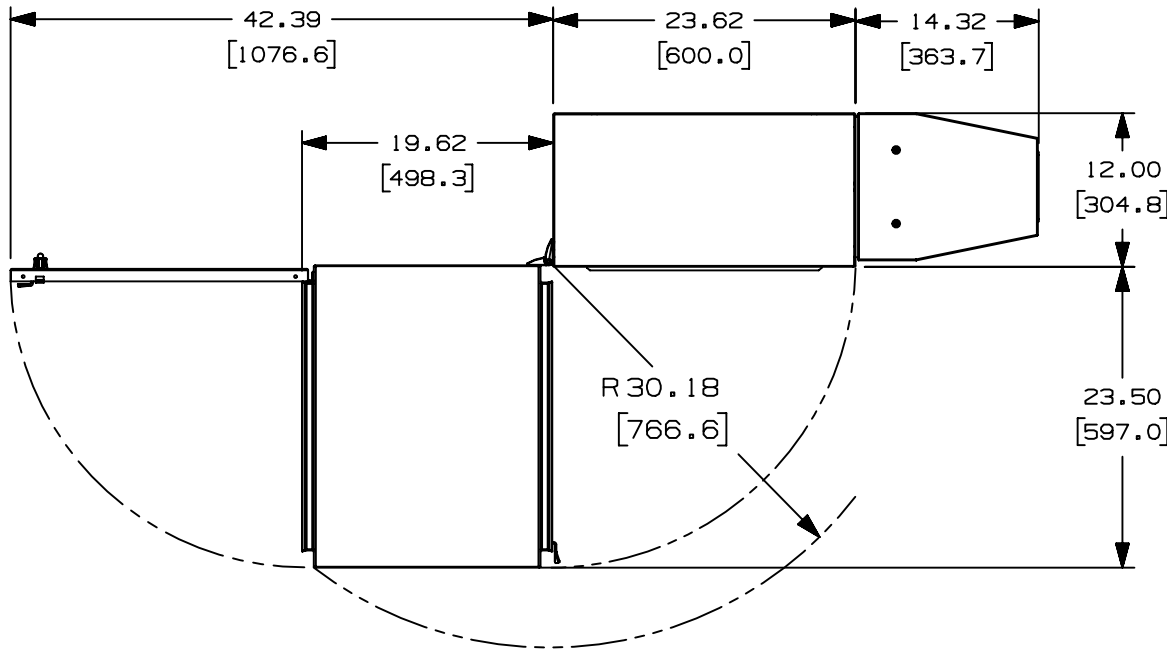
BACK VIEW

6X Ø 0.50
[12.70]
MOUNTING HOLES

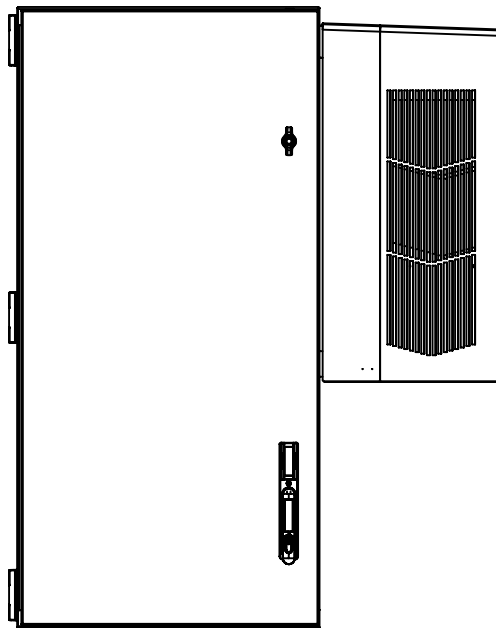
TITLE		ZDF48-RA*** PRECONFIGURED 48" INDUSTRIAL DISTRIBUTION FRAME WITH ACCESS CONTROL	
CUSTOMER DRAWING			
ITEM REVISION NAME	00377EBG/02	PANDUIT	
DATASET FILE NAME	00377EBG_DC/02B		
UNLESS OTHERWISE SPECIFIED, DIMENSIONAL TOLERANCES ARE: IN [mm]		MATERIAL:	
.x ± .1 [2.54]	.xxx ± .015 [0.38]	SEE SHEET 1 NOTES	
.xx ± .03 [0.76]	ANGLES ± 5°	DRAWING NUMBER:	
THIRD ANGLE PROJECTION		00377EBG_DC	
DRAWN BY	DATE	CHK	SCALE
JBO	4/11/19	SCL	NONE
SHT 3 OF 4		SIZE	
A		A	

02B	5/6/21	JBO	SCL	KGA	REFER TO SHEET 1 FOR REVISION CONTROL	00377EBG
REV	DATE	BY	CHK	APR	DESCRIPTION	ECN

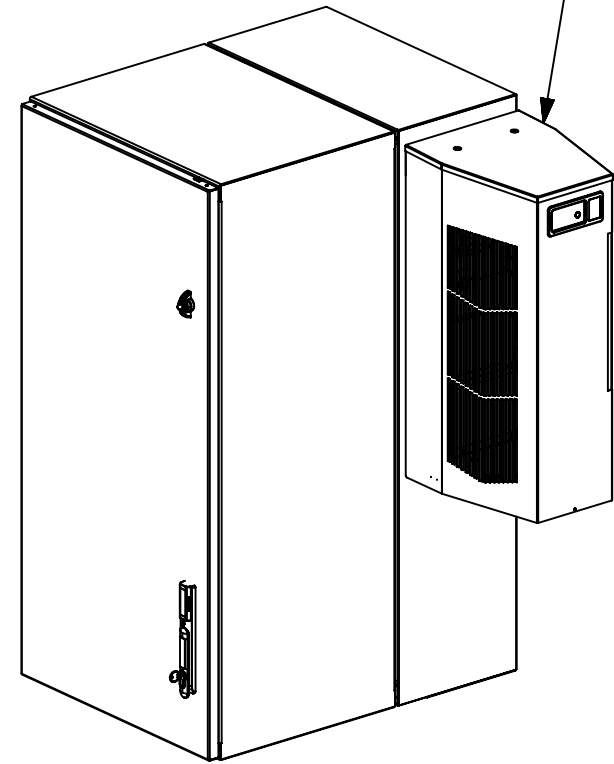
THIS COPY IS PROVIDED ON A RESTRICTED BASIS AND IS NOT TO BE USED IN ANY WAY DETRIMENTAL TO THE INTERESTS OF PANDUIT CORP.



PLAN VIEW SHOWING OPEN ENCLOSURE



OPTIONAL HOFFMAN N28 MODEL AIR CONDITIONER



ISOMETRIC VIEW SHOWING OPTIONAL AIR CONDITIONER

TITLE		ZDF48-RA*** PRECONFIGURED 48" INDUSTRIAL DISTRIBUTION FRAME WITH ACCESS CONTROL	
CUSTOMER DRAWING			
ITEM REVISION NAME	00377EBG/02	PANDUIT	
DATASET FILE NAME	00377EBG_DC/02B		
UNLESS OTHERWISE SPECIFIED, DIMENSIONAL TOLERANCES ARE: IN [mm]		MATERIAL:	
.x ± .1 [2.54] .xxx ± .015 [0.38]		SEE SHEET 1 NOTES	
.xx ± .03 [0.76] ANGLES ± 5 °		DRAWING NUMBER:	
THIRD ANGLE PROJECTION		00377EBG_DC	
DRAWN BY	DATE	CHK	SCALE
JBO	4/11/19	SCL	NONE
SHT 4 OF 4		SIZE	
		A	

02B	5/6/21	JBO	SCL	KGA	REFER TO SHEET 1 FOR REVISION CONTROL	00377EBG
REV	DATE	BY	CHK	APR	DESCRIPTION	ECN