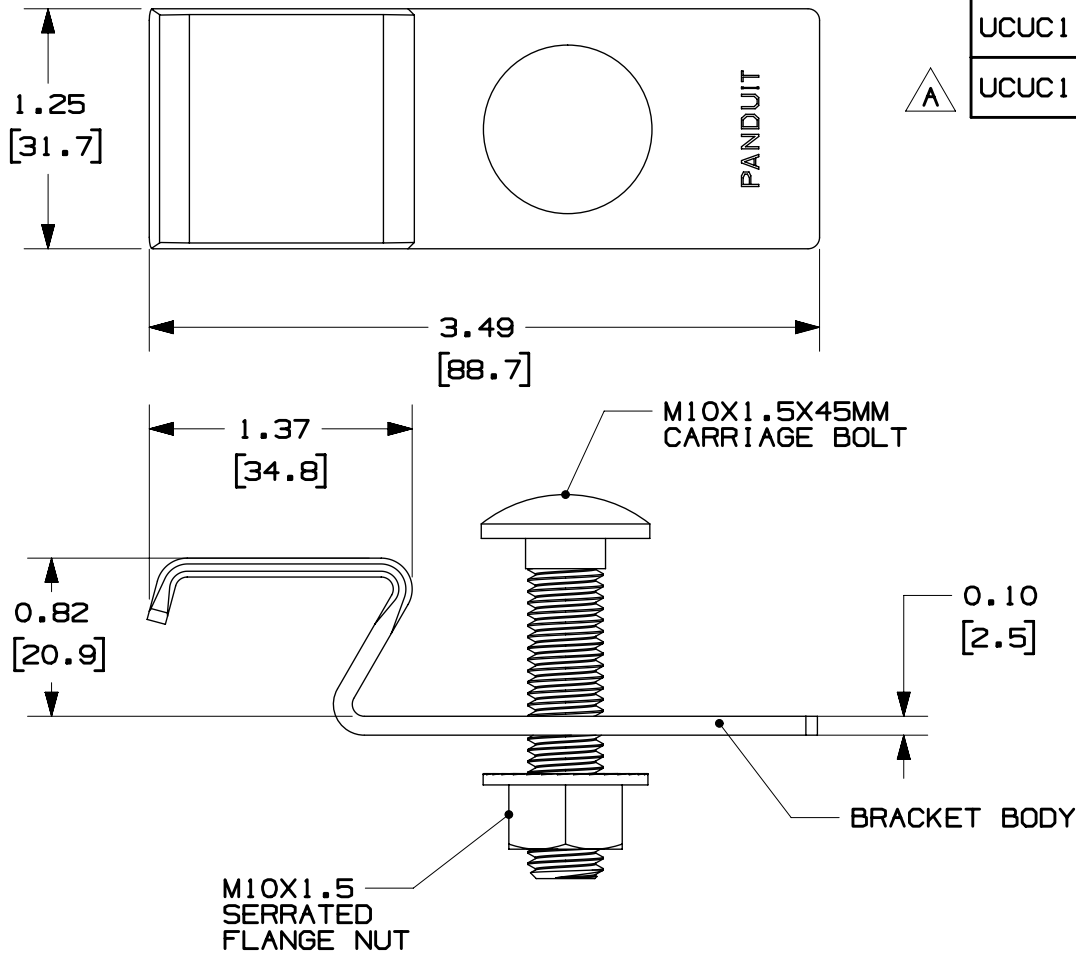


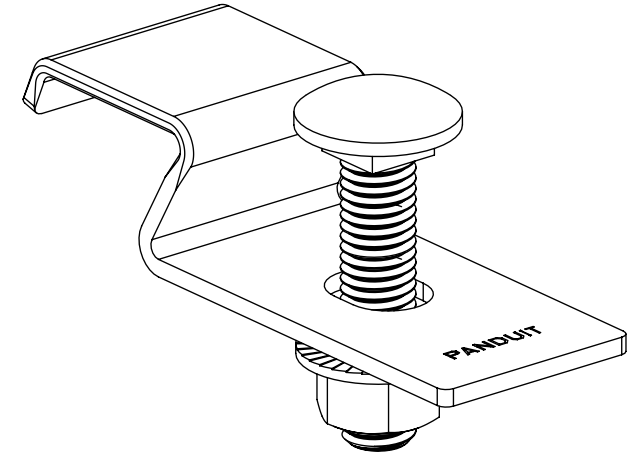
THIS COPY IS PROVIDED ON A RESTRICTED BASIS AND IS NOT TO BE USED IN ANY WAY DETRIMENTAL TO THE INTERESTS OF PANDUIT CORP.



PANDUIT P/N	MATERIAL	WEIGHT / PC
UCUC1-V316	316 STAINLESS STEEL	0.25 lbs [112.0 g]
UCUC1-VC	COMMERCIAL STEEL/ GALVANIZED	0.26 lbs [118.0 g]

NOTES:

1. PRIMARY DIMENSIONS IN ENGLISH DIMENSIONS IN [ ] ARE METRIC.
2. THIS PRODUCT INTENDED FOR USE WITH U-CHANNEL CABLE LADDER RUNGS WITH SLOTS IN GALVANIZED STEEL, STAINLESS STEEL, OR ALUMINUM CONSTRUCTIONS.
3. EACH ASSEMBLY INCLUDES:  
 (1) BRACKET BODY  
 (1) M10X1.5X45MM CARRIAGE BOLT  
 (1) M10X1.5 SERRATED FLANGE NUT



REV	DATE	BY	CHK	APR	DESCRIPTION	ECN
03A	06-18-19	JBN	ACC	JADE	A. ADDED P/N UCUC1-VC - COMMERCIAL STEEL MATERIAL / GALVANIZED	049210
02A	04-23-19	JBN	ACC	JADE/RGRO	RELEASED TO PRODUCTION	043594
01A	11-20-18	JBN	ACC	RGRO	DRAWING RELEASED	

TITLE		<b>UNICLIP U-CHANNEL TYPE BRACKET UCUC1</b>		
		CUSTOMER DRAWING		
ITEM REVISION NAME		00225SBJ/03		
DATASET FILE NAME		00225SBJ_DC/03A		
UNLESS OTHERWISE SPECIFIED, DIMENSIONAL TOLERANCES ARE: IN [mm]		<b>PANDUIT</b>		
.x ± .1 [2.54]      .xxx ± .005 [0.127] .xx ± .04 [1.0]      ANGLES ± 5°				
		THIRD ANGLE PROJECTION		
DRAWN BY		DATE		SCALE
JBN		11-20-18		ACC N.T.S
MATERIAL:		SEE CHART		
DRAWING NUMBER:		<b>00225SBJ_DC</b>		
SHT 1 OF 1		<b>A</b>		