

Multi-Purpose In-Ceiling Enclosure

North America and
Latin America

PANDUIT[®]
SPECIFICATION SHEET

SPECIFICATIONS

The Multi-Purpose in-ceiling enclosure shall allow network equipment to be conveniently located in the air handling space above a drop ceiling. The enclosure shall be designed to provide a central distribution consolidation point and to house transitionpoint connectivity. The Multi-Purpose in-ceiling enclosure shall mount accessories with a push/pull design. The unit shall have a hinged door and shall be engineered to allow proper heat dissipation for use with various equipment, but not limited to AV or ONT devices, copper connections, and fiber connections. The unit shall have an optional cool boot accessory for cable entry points. The unit shall be rated to UL 2043 and UL 2416.



TECHNICAL INFORMATION

Attributes:	Part Number	Height in. (mm)	Width in. (mm)	Depth in. (mm)	Load Capacity lbs. (kg)
	MSICE24	22.5 (572)	22.5 (572)	6.9 (175)	35 (16)
Mounting:	Recessed in-ceiling mounting				
Packaging:	Enclosure comes fully assembled with the following components: Base, Hinged Door				
Compliance:	RoHS, UL 2043, and UL 2416				
Material:	18 gauge Steel				

KEY FEATURES AND BENEFITS

Open mounting pattern:	Allows placement of equipment across the entire base of the enclosure using a 1" grid pattern for unlimited mounting options, greater flexibility, and maximum use of available space
Hinged lockable door:	Protects against physical damage, vandalism, and tampering
Grounding kit:	Properly bond the door to the base to protect network equipment and maximize uptime (sold separate)
Simple deployment:	Cable knockout openings and gland plate allow cables to easily enter and exit the enclosure providing easier cable routing, quicker installation, and increased density. Equipment mounting plate is removable, allowing the user to install the accessories/equipment before mounting the enclosure in the ceiling.
Power knockouts:	Provisions included to mount one 2-gang outlet box to bring power to the box facilitating the ability to connect active devices in the enclosure

APPLICATIONS

The Multi-Purpose In-Ceiling mountable solution offers a flexible, comprehensive, and cost-effective structured cabling solution that can be used in commercial or residential deployments. The innovative system is designed to deliver a compact distribution point for a variety of connectivity options into individual location enclosures while still meeting all certification required for air handling spaces. Multi-Purpose enclosure and accessories are customizable and provide an easy to install solution for voice, video, or data applications and can be used in an office or home environments. Modularity with Panduit products allows the Multi-Purpose system to service an entire network infrastructure from the building demarcation point to the end user's network outlet. Multi-Purpose enclosures can provide a point of installation for a variety of equipment, utilizing a pre-determined grid pattern that helps guide the placement of components, knockouts for the entry of power and cables, and a hinged door to protect the installation.

In-Ceiling Enclosure

Enclosure (Includes base and door): MSICE24

Opticom[®] PON SC-APC Splitter Cassettes

1X4 split: FC29N-04-3G1X04

2X4 split: FC29N-04-3G2X04

1X8 split: FC29N-08-3G1X08

2X8 split: FC29N-08-3G2X08

Accessories

Device shelf: MSSHLF

Device strap bracket: MSBRKT

8-Port patch panel bracket: MS8PPB

8-Port NetKey Patch Panel Bracket: NKMS8PPB

Fiber cassette bracket: MSFCB2

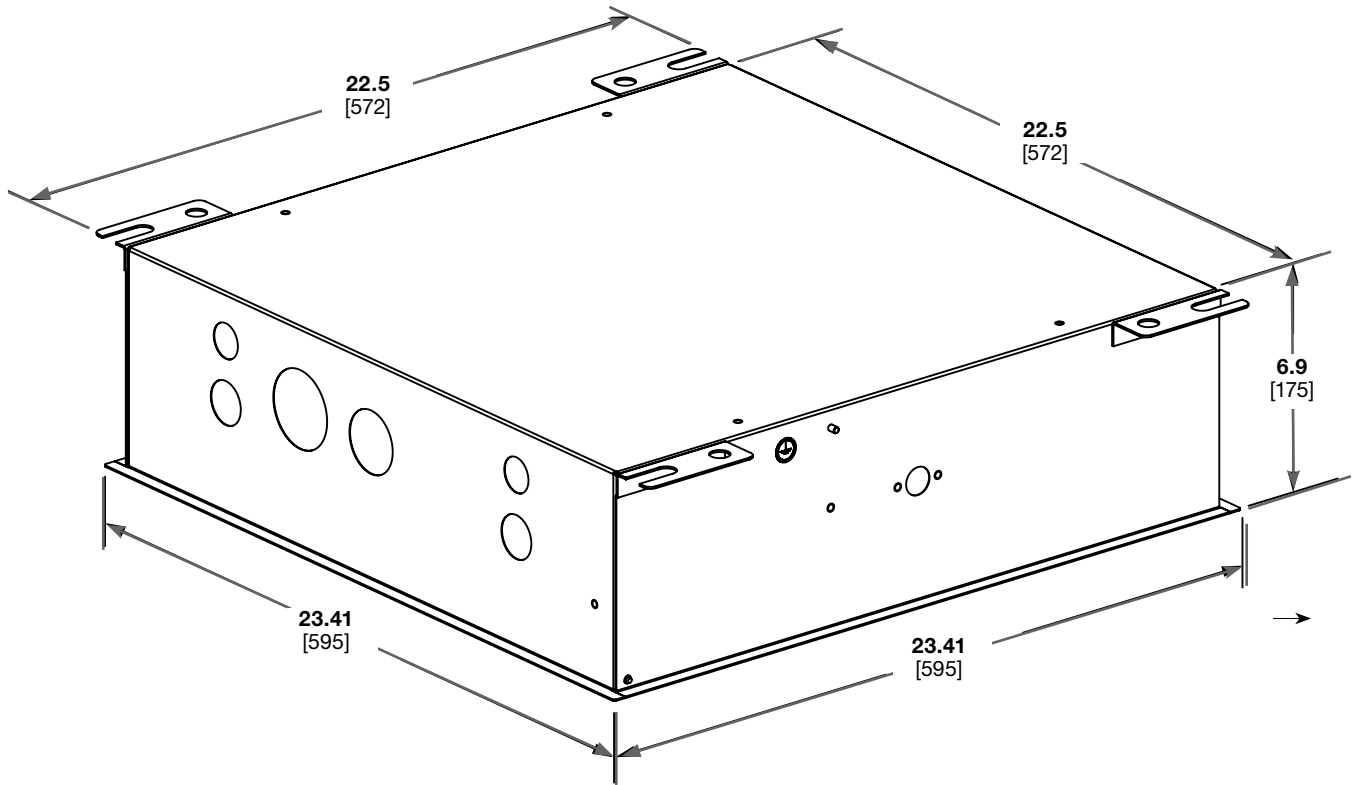
Cool boot: MSICECB

Grounding kit: MSGK

Fiber Slack Spool: FMS1

Multi-Purpose In-Ceiling Enclosure

ENGINEERING DRAWING



Dimensions are in inches. [Dimensions in brackets are metric].

WORLDWIDE SUBSIDIARIES AND SALES OFFICES

PANDUIT US/CANADA
Phone: 800.777.3300

PANDUIT EUROPE LTD.
London, UK
Phone: 44.20.8601.7200

PANDUIT SINGAPORE PTE. LTD.
Republic of Singapore
Phone: 65.6305.7575

PANDUIT JAPAN
Tokyo, Japan
Phone: 81.3.6863.6000

PANDUIT LATIN AMERICA
Guadalajara, Mexico
Phone: 52.33.3777.6000

PANDUIT AUSTRALIA PTY. LTD.
Victoria, Australia
Phone: 61.3.9794.9020

For a copy of Panduit product warranties, log on to www.panduit.com/warranty

PANDUIT®

For more information
Visit us at www.panduit.com
Contact Customer Service by email: cs@panduit.com
or by phone: 800.777.3300

© 2024 Panduit Corp.
ALL RIGHTS RESERVED.
RKSP209-WW-ENG
5/2024