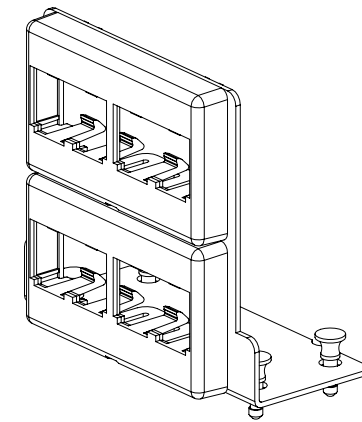
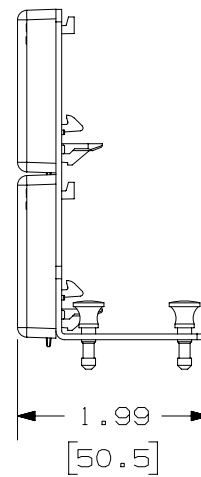
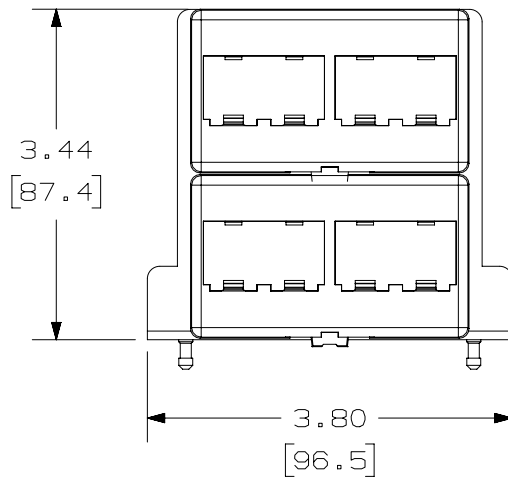
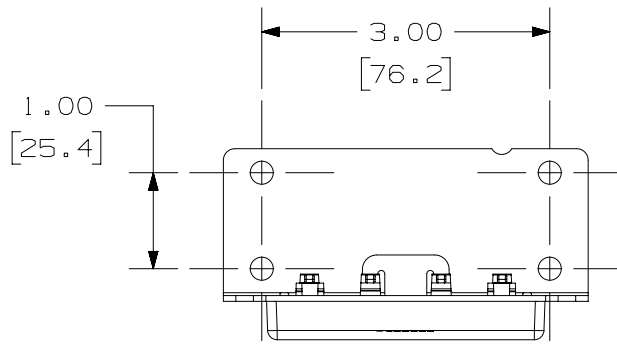
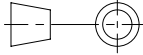


THIS COPY IS PROVIDED ON A RESTRICTED BASIS AND IS NOT TO BE USED IN ANY WAY DETRIMENTAL TO THE INTERESTS OF PANDUIT CORP.



NOTES:

1. VISIT OUR ON-LINE CATALOG AT WWW.PANDUIT.COM FOR A LIST OF CURRENT PARTS APPLICABLE FOR USE WITH THIS PRODUCT.
2. DIMENSIONS IN [] ARE METRIC.
3. ALL MATERIALS AND COMPONENTS USED MEET THE MATERIAL RESTRICTIONS OF RoHS (EUROPEAN DIRECTIVE 2011/65/EU ON THE RESTRICTION OF HAZARDOUS SUBSTANCES) AS PROPOSED BY THE RoHS TECHNICAL ADAPTATION COMMITTEE.
4. WEIGHT: 0.22 lb [0.1 kg]
5. PART INCLUDES:
 - (2) MINI-COM 4-PORT FACEPLATES
 - (1) PATCH PANEL BRACKET

PART NUMBER		MS8PPB		
TITLE				
8 PORT MINI-COM™ PATCH PANEL BRACKET FOR MULTI-PURPOSE ENCLOSURES				
CUSTOMER DRAWING				
ITEM REVISION NAME		01055EFL/00		
DATASET FILE NAME		01055EFL_DC/00C		
		THIRD ANGLE PROJECTION		
MATERIAL		STEEL, PLASTIC		
DRAWING NUMBER				01055EFL-DC
DRAWN BY	DATE	CHK	SCALE	SIZE
TWV	10-21-22	KZU	NONE	A

00C	6-20-24	BJN	BSN	TAM	UPDATED	01055EFL-DC
REV	DATE	BY	CHK	APR	DESCRIPTION	ECN

A-SIZE CUSTOMER

2

1

2

1