

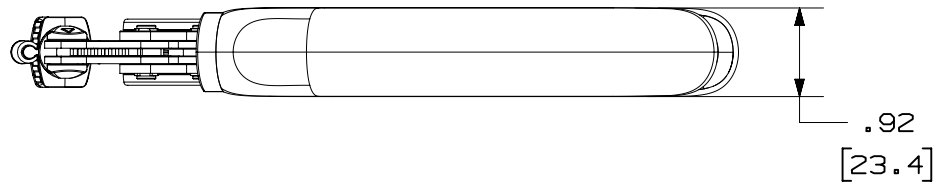
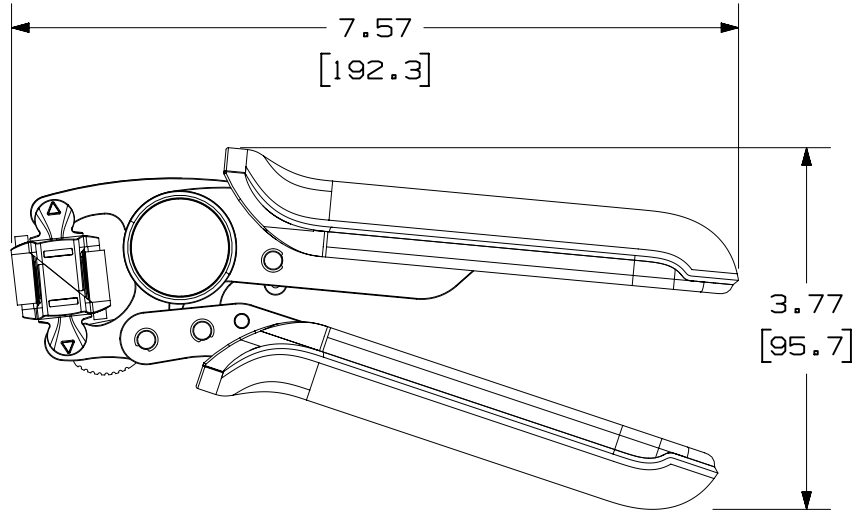
2

1

THIS COPY IS PROVIDED ON A RESTRICTED BASIS AND IS NOT TO BE USED IN ANY WAY DETRIMENTAL TO THE INTERESTS OF PANDUIT CORP.

NOTES:

1. PANDUIT TOOL CT-1201
2. CRIMPS FERRULE WITH SQUARE PROFILE FOR #26 TO #6 (0,14 MM²-16 MM²) INSULATED AND NON-INSULATED SINGLE WIRE FERRULES AND #22 TO #10 (2X 0,34 MM² - 2X 6 MM²) INSULATED TWIN WIRE FERRULES.
3. TOOL WEIGHT .992LBS (450G)
4. TOOL FEATURES
 - INTEGRATED RELEASABLE RATCHET GUARANTEES COMPLETE CRIMPING
 - ERGONOMICALLY DEVELOPED SOFT-GRIPS WITH SLIP-OFF PROTECTION
5. DIMENSIONS IN BRACKETS ARE MILLIMETERS.



PART NUMBER		CT-1201		
TITLE				
SQUARE PROFILE DIE CONTROLLED CYCLE FERRULE CRIMP TOOL				
CUSTOMER DRAWING				
ITEM REVISION NAME		03114NBA/00		
DATASET FILE NAME		03114NBA-DC/00B		
MATERIAL		N/A		
DRAWN BY		DATE	CHK	SCALE
JHNU		7-20-23	SAHR	1/2X
DRAWING NUMBER		03114NBA-DC		
SHEET 1 OF 1		A		

A-SIZE CUSTOMER

00B	10-30-23	JHNU	SAHR	MRWA	A. REVISED NOTE 2: #26-#6 WAS #28-#5 #22-#10 WAS #23-#8	135417
00A	7-20-23	JHNU	SAHR	MRWA	DRAWING RELEASED	
REV	DATE	BY	CHK	APR	DESCRIPTION	ECN

2

1