

HD Flex™ Tapped Fiber Optic Cassettes

technical information

Integral to the HD Flex™ Fiber Optic solution, fiber optic tapped cassettes are a highly effective and efficient means for mission-critical data centers and networks to obtain real-time network visibility. TAP cassettes provide passive optical tapping of live networks while maintaining full integrity of the data with no link downtime.

HD Flex™ TAP cassettes are designed for multimode applications and offer superior splitter technology to minimize loss, extend reach, and preserve signal integrity. The cassettes are offered in a variety of models to meet the demands of both structured cabling systems and dynamic situations. TAP cassettes facilitate monitoring of up to 144 fibers per one rack unit space and are suited for HD Flex™ Patch Panels, Enclosures, and Hardware, along with pre-terminated HD Flex® Fiber products, for a complete end-to-end solution.



specifications

Part Number	Split Ratio	Split Loss Live/TAP	MPO Connector	LC Connector
		(dB Loss at 850nm)	Insertion Loss (dB)	Insertion Loss (dB)
FHCT-5ZUB	50/50	3.8 / 3.8	0.35	0.15
FHCT-7ZUB	70/30	1.8 / 5.8	0.35	0.15
FHCT-5ZUC	50/50	3.8 / 3.8	0.35	0.15
FHCT-7ZUC	70/30	1.8 / 5.8	0.35	0.15
FHCT-5ZUFB	50/50	3.8 / 3.8	0.35	0.15

ordering information

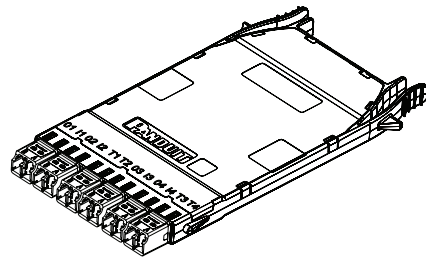
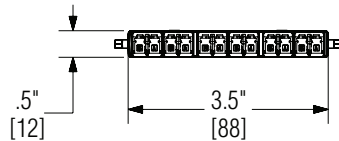
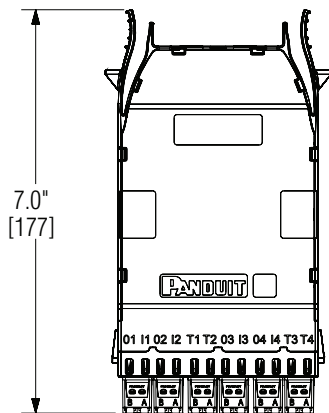
Part Number & Split Ratio	Top View	Front View	Rear View
FHCT-5ZUB 50/50			
FHCT-7ZUB 70/30			
FHCT-5ZUC 50/50			Not Applicable
FHCT-7ZUC 70/30			Not Applicable
FHCT-5ZUFB 50/50 BiDi			Not Applicable

*MPO ports are Male (pinned)

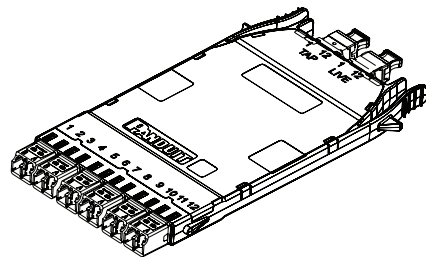
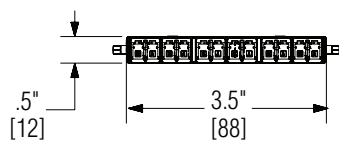
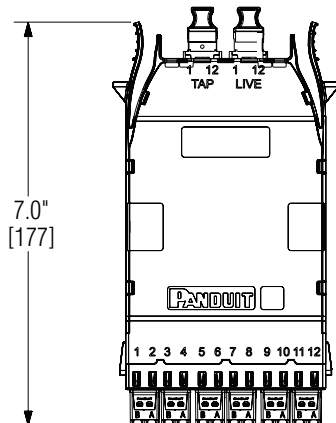
HD Flex™ Tapped Fiber Optic Cassettes

product dimensions

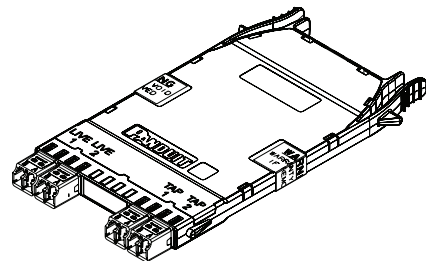
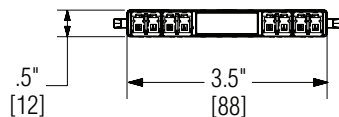
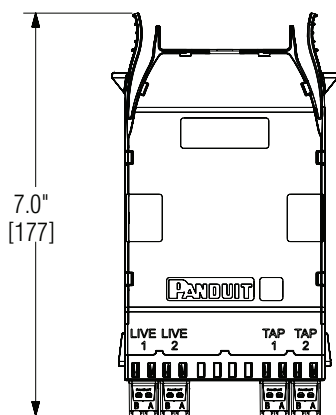
FHCT-5ZUC FHCT-7ZUC



FHCT-5ZUB FHCT-7ZUB



FHCT-5ZUFB



Dimensions are in inches. (Dimensions in parentheses are metric).

WORLDWIDE SUBSIDIARIES AND SALES OFFICES

PANDUIT CANADA
Markham, Ontario
cs-cdn@panduit.com
Phone: 800.777.3300

PANDUIT EUROPE LTD.
London, UK
cs-emea@panduit.com
Phone: 44.20.8601.7200

PANDUIT SINGAPORE PTE. LTD.
Republic of Singapore
cs-ap@panduit.com
Phone: 65.6305.7575

PANDUIT JAPAN
Tokyo, Japan
cs-japan@panduit.com
Phone: 81.3.6863.6000

PANDUIT LATIN AMERICA
Guadalajara, Mexico
cs-la@panduit.com
Phone: 52.33.3777.6000

PANDUIT AUSTRALIA PTY. LTD.
Victoria, Australia
cs-aus@panduit.com
Phone: 61.3.9794.9020

For a copy of Panduit product warranties, log on to www.panduit.com/warranty

For more information

Visit us at www.panduit.com

Contact Customer Service by email: cs@panduit.com
or by phone: 800.777.3300

PANDUIT®

© 2019 Panduit Corp.
ALL RIGHTS RESERVED.
FBSP153--SA-ENG
4/2019