

SPECIFICATIONS:

Material: PC +ABS, water resistant, dust-proof, IP55

Dimension (HxWxD): 317 x 235 x 100 mm

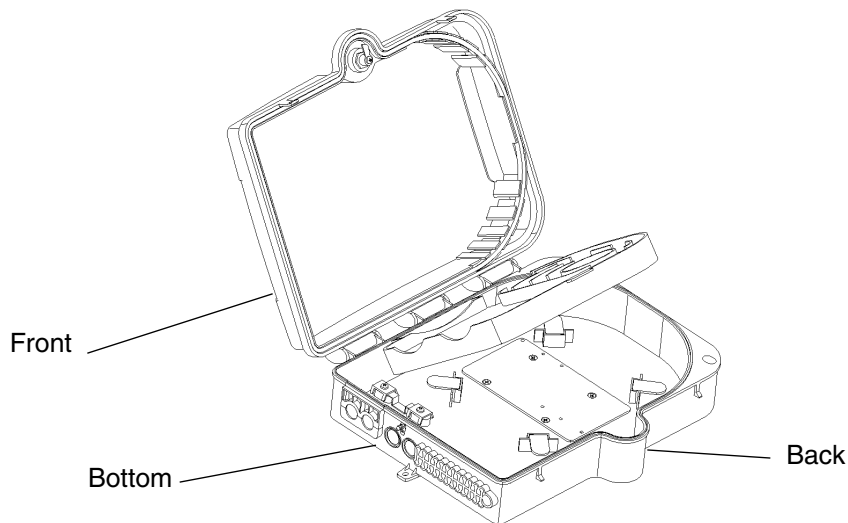
Color: Light Gray

Adapter Type: SC

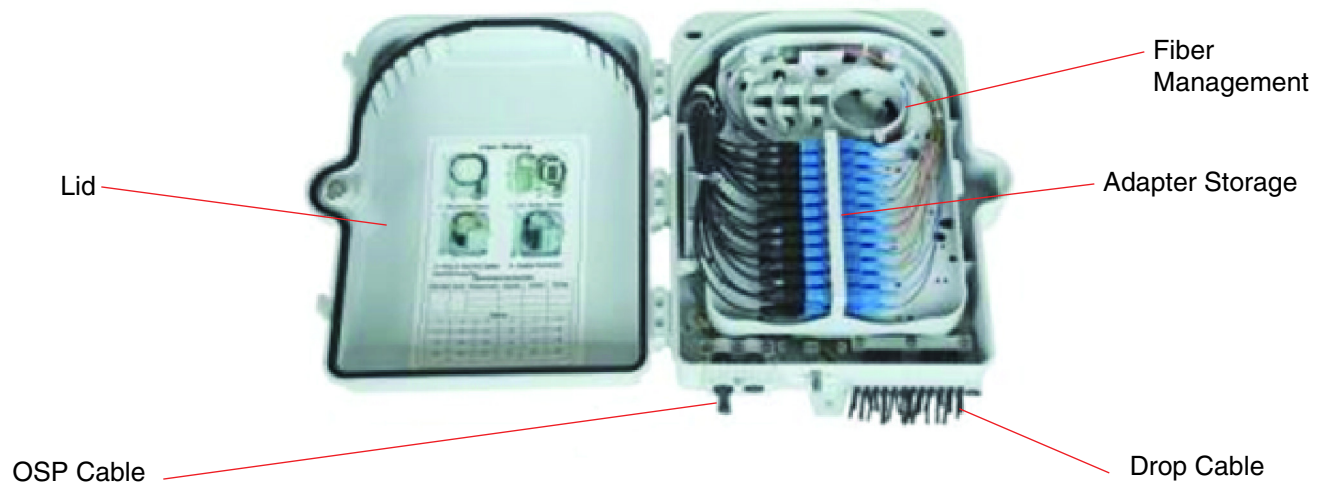
Number of Adapters: Max 24

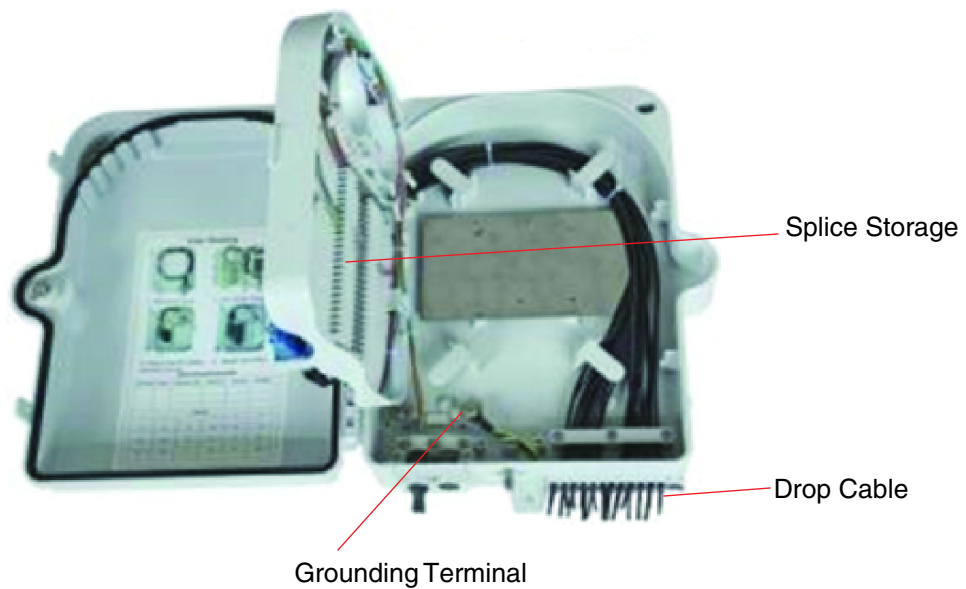
Number of Splitters: Max 1 (N x 2, N x 4, and N x 8,) and Max 1(N x 16)

Wall Mount



Product Structure and Cable Entry





Enclosure Installation and drop cable attachment

1. Find the mounting screws included in the product packaging.
2. Drill (4) holes in the wall and place an expansion bolt in each hole, align the enclosure to holes and use the bolt to fasten the enclosure to the wall.
3. Route the drop cables through the attachment hardware on the bottom right hand side of the base. Then route the drop cables around the base of the enclosure so that they enter onto the front of the flip tray.
4. Attach the connectorized end into the adapters. Match the adapter number with the appropriate cable number.

Pigtail Installation

Pigtails with connectors on one end should have the connectorized end attached to the adapter located in the adapter storage. The pigtail fiber ends will need to be routed from the front of the flip tray to the rear of the flip tray and prepared for splicing.

Splitter Installation

5. Splitters are available connectorized or with bare fibers. If splitter is connectorized, then attach the connectors to the adapter located in the adapter storage, from the breakout side first, one at a time.
6. Then attach the splitter on the rear of the flip tray.

The Outside Plant Cable Installation

7. The outside plant cable is routed into the bottom left hand corner of the base and attached inside the bracket at the base of the enclosure.
8. The cable is to be prepped with 38 inches of exposed unit tube that is routed to the base of the enclosure and routed to the rear of the flip tray.
9. The unit tube that will be spliced is to be prepped by stripping to expose 18 inches of the fiber that will be spliced to the pigtail.
10. Once the fusion splice is completed cover with the splice sleeve. It should be installed on the rear of the flip tray in the splice storage, and then the fiber slack is routed counter clockwise and the unit tube is routed clockwise on the rear of the flip tray.