

SPECIFICATIONS

The Multiport Service Terminal (MST) shall include models with 4, 8, and 12 ports. Each MST shall be configured for different deployment distances of 200 feet and 500 feet, catering to diverse network needs. Terminals shall be available in toneable and non-toneable models, enhancing flexibility for network diagnostics and maintenance. They shall be engineered for efficient fiber optic distribution, supporting scalable deployments in various environments such as underground, aerial, and surface-mounted setups, making them integral for expanding fiber-to-the-x (FTTx) networks.



TECHNICAL INFORMATION

Attributes:	Part Number	No. of Ports	Height in. (mm)	Width in. (mm)	Length in. (mm)
	P-MST-4*-^	4	3.31 (84.1)	5.09 (129.5)	11.12 (282.4)
	P-MST-8*-^	8			16.32 (414.5)
	P-MST-12*-^	12			21.53 (546.9)
*Add D for Dielectric/Non-Toneable or T for Toneable					
Cable type:	Dielectric/Non-Toneable and Toneable				
Cable stub length:	200 ft. - 500 ft. (60.96m - 152m)				
Cable outer diameter:	Dielectric: 0.17 in. x 0.31 in. (4.3mm x 8.0mm) Toneable: 0.17 in. x 0.4 in. (4.3mm x 10mm)				
Qualification standards:	IEC 60529, IP68 + 2 m Waterhead, Telcordia GR-3120-CORE, Telcordia GR-326-CORE, Telcordia GR-771-CORE				
Flammability rating:	Designed to meet or exceed 94 5VA				
Relative humidity:	5%-100%, condensing				
Environmental space:	Above ground / Below ground				
UV resistance:	UV Stabilized				
RoHS compliance:	Compliant				
Port type:	Hardened full-size SC/APC				
Splitter:	Without Splitter				
Mounting:	Handhole, Pedestal, Pole, Strand				
Stub type:	Unterminated				
Fiber type:	G.657.A1/A2				
Operating wavelength range:	1260 nm - 1635 nm				
Attenuation single ports (maximum):	0.4 dB				
Attenuation cable coefficient (maximum):	0.30 dB/km@1550 nm 0.40 dB/km@1310 nm				
Return loss, connector (typical):	-65 dB				
Operating temperature:	-40°C to +70°C (-40°F to +158°F)				
Color:	Black				
Material:	Gasketed hardened plastic				

KEY FEATURES AND BENEFITS

Hardened terminals:	Designed to withstand the harsh outside environment
Ease of use:	Smaller size terminal is ideal for tight spaces and are quick to install
Mounting options:	Handhole, pedestal, pole or strand
Cable options:	Flat dielectric, flat toneable
Port options:	4, 8 and 12

Non-Toneable (Dielectric) Service Terminal

4-port:	P-MST-4D-^
8-port:	P-MST-8D-^
12-port:	P-MST-12D-^

Toneable Service Terminal

4-port:	P-MST-4T-^
8-port:	P-MST-8T-^
12-port:	P-MST-12T-^

Accessories

Strand Mounting Bracket Kit:	P-MST-ASB
-------------------------------------	-----------

^Foot Lengths: 200 ft. and 500 ft.



All listed part numbers are compliant with the U.S. Trade Agreements Act (TAA) for purchases shipped to customers in the United States.

Be sure to consult the applicable project terms to ensure you are supplying compliant product. This document does not provide legal advice and buyer is responsible for its own compliance with applicable laws and regulations.

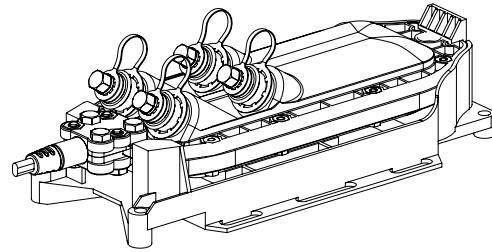
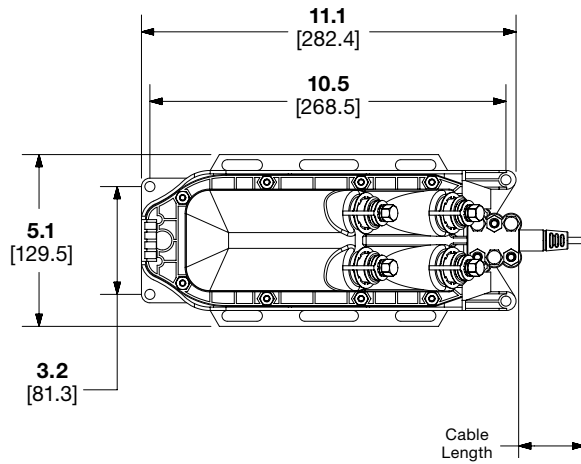
Multiport Service Terminals

APPLICATIONS

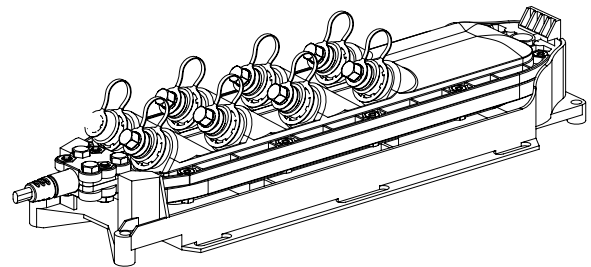
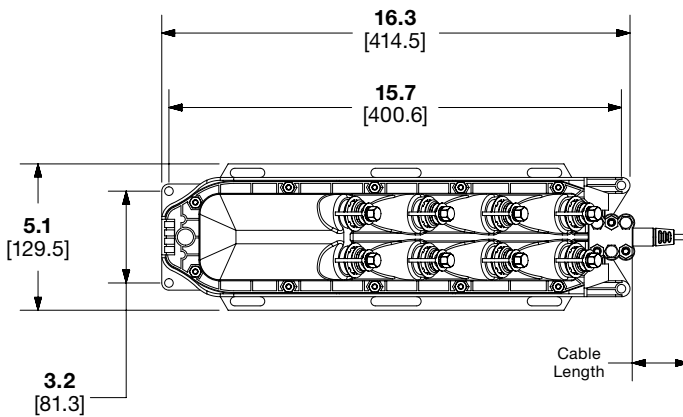
Multiport Service Terminals are designed for diverse telecommunications applications, accommodating 4, 8, and 12 ports with deployment lengths of 200 feet and 500 feet, suitable for toneable and non-toneable configurations. These terminals enhance the flexibility and reliability of fiber optic networks, supporting a wide range of fiber-to-the-x (FTTx) deployments. Their adaptability makes them ideal for both urban and rural network expansions, ensuring efficient connectivity solutions for service providers looking to upgrade or extend their infrastructure.

ENGINEERING DRAWINGS

P-MST-4D-^ and P-MST-4T-^



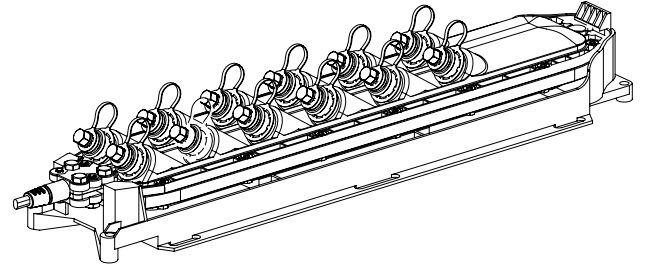
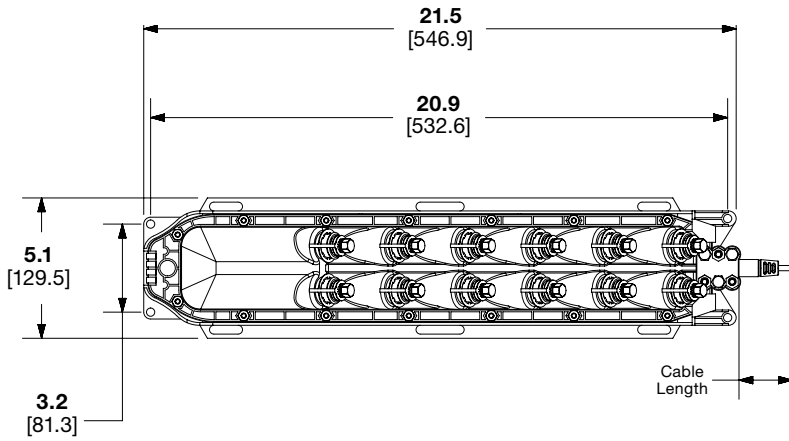
P-MST-8D-^ and P-MST-8T-^



Multiport Service Terminals

ENGINEERING DRAWINGS (CONTINUED)

P-MST-12D-^ and P-MST-12T-^



Dimensions are in inches. [Dimensions in brackets are metric].

WORLDWIDE SUBSIDIARIES AND SALES OFFICES

PANDUIT US/CANADA
Phone: 800.777.3300

PANDUIT EUROPE LTD.
London, UK
Phone: 44.20.8601.7200

PANDUIT SINGAPORE PTE. LTD.
Republic of Singapore
Phone: 65.6305.7575

PANDUIT JAPAN
Tokyo, Japan
Phone: 81.3.6863.6000

PANDUIT LATIN AMERICA
Guadalajara, Mexico
Phone: 52.33.3777.6000

PANDUIT AUSTRALIA PTY. LTD.
Victoria, Australia
Phone: 61.3.9794.9020

For a copy of Panduit product warranties, log on to www.panduit.com/warranty

PANDUIT[®]

For more information
Visit us at www.panduit.com
Contact Customer Service by email: cs@panduit.com
or by phone: 800.777.3300

© 2024 Panduit Corp.
ALL RIGHTS RESERVED.
FBSP265-WW-ENG
6/2024