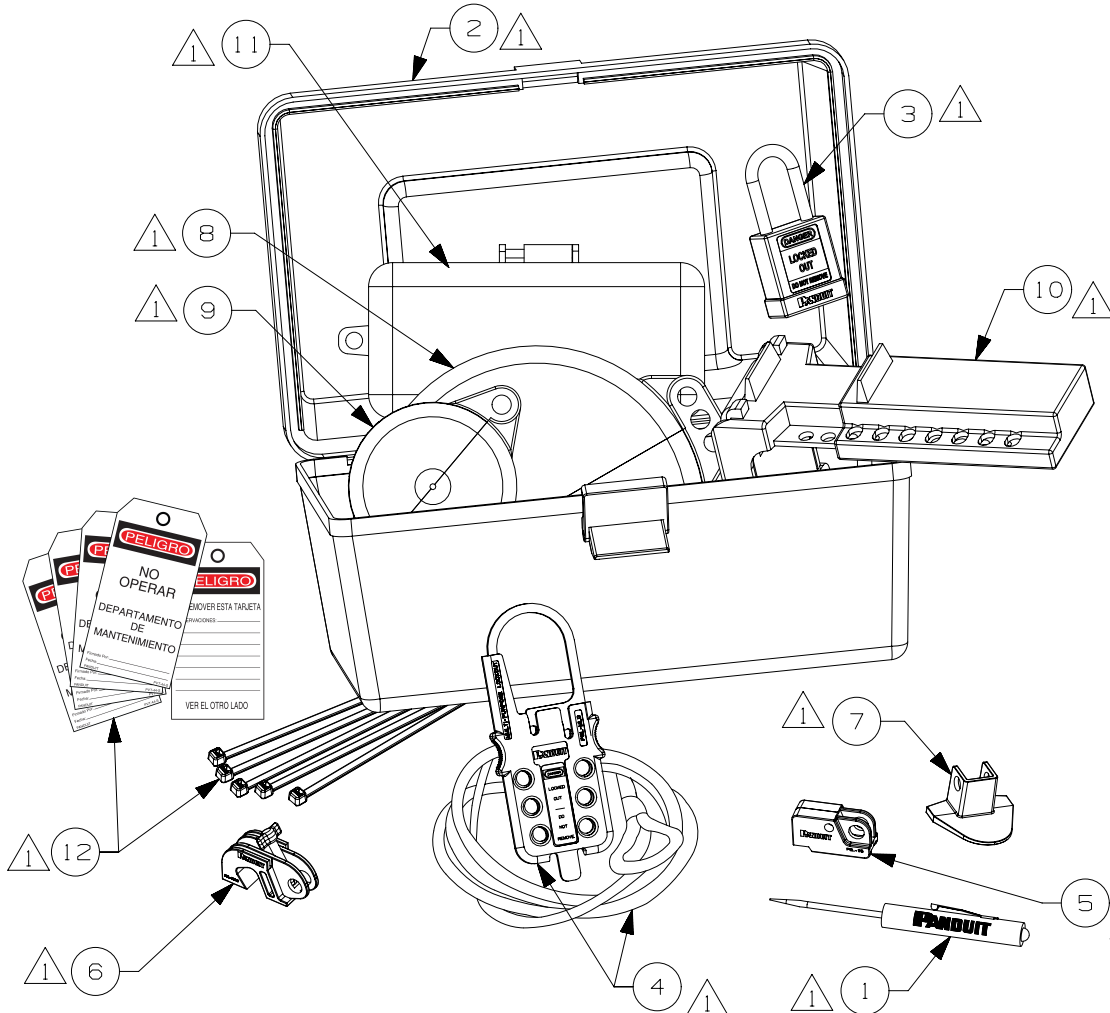
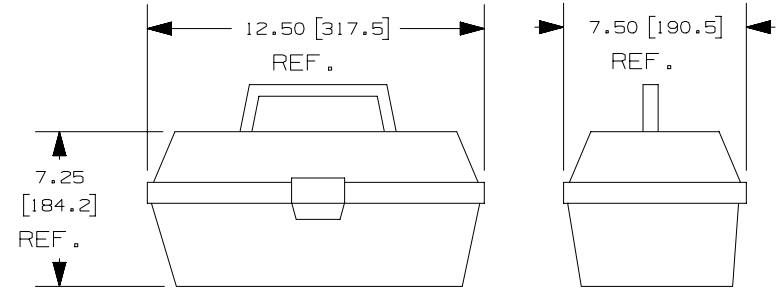


THIS COPY IS PROVIDED ON A RESTRICTED BASIS AND IS NOT TO BE USED IN ANY WAY DETRIMENTAL TO THE INTERESTS OF PANDUIT CORP.



ITEM NO.	QTY. (PCS.)	PART NO.	DESCRIPTION
1	1	GMSDCOM	PANDUIT SCREWDRIVER
2	1	PSL-BX	CARRYING CASE
3	3	PSL-8	RED NON-CONDUCTIVE PADLOCK
4	1	PSL-MLD	MULTIPLE LOCKOUT DEVICE
5	2	PSL-WS	WALL SWITCH LOCKOUTS
6	2	PSL-CBNT	"NO TOOL" CIRCUIT BREAKER LOCKOUT DEVICE
7	2	PSL-P	PLUG LOCKOUTS DEVICE
8	1	PSL-V6A	GATE VALVE LOCKOUT - 6.5" [165mm]
9	1	PSL-V2A	GATE VALVE LOCKOUT - 2.5" [64mm]
10	1	PSL-BV2	BALL VALVE LOCKOUT - 3.0" [76mm]
11	1	PSL-CL110	PLUG LOCKOUT
12	10	PVT-44-S	"DO NOT OPERATE" MAINTENANCE TAGS IN SPANISH



PSL-BX
PLASTIC CARRYING CASE

REV	DATE	BY	CHK	APR	DESCRIPTION	ECN
1	4/28/17	RVU	DJW	JHAC	UPDATE ALL ISO VIEWS WITH PSL-BX. REMOVE GMPSL-INMLD AND GMPSL-INI. UPDATE TABLE.	GAECN04123
0	4/13/16	CR-RLM	SEWH	JHAC	DRAWING RELEASE.	GAECN03451

TITLE	
PSL-KT-MROA-S SPANISH MAINTENANCE LOCKOUT KIT CUSTOMER DRAWING	
ITEM REVISION NAME	100619CV/02
DATASET FILE NAME	100619CV_DC_C11652/02B
UNLESS OTHERWISE SPECIFIED, DIMENSIONAL TOLERANCES ARE: IN (mm)	PANDUIT MATERIAL: N/A DRAWING NUMBER: C11652
.X ± .XX ±	
THIRD ANGLE PROJECTION	
DRAWN BY	DATE
CR-RLM	4/13/16
CHK	SCALE
	NTS
SHT 1 OF 1	
SIZE A	