

THIS COPY IS PROVIDED ON A RESTRICTED BASIS AND IS NOT TO BE USED IN ANY WAY DETRIMENTAL TO THE INTERESTS OF PANDUIT CORP.

T-70 RACEWAY KNOCK-OUT
 COMBINATION 1/2" OR 3/4" KNOCK-OUT
 COMBINATION 1" OR 1 1/4" KNOCK-OUT
 REMOVABLE PLATES FOR ADDITIONAL CABLE CAPACITY

REMOVABLE TOP LID

PERFORATED FOR AIRFLOW

WALL PASS-THRU KNOCK-OUT

ADJUSTABLE ANGLED PASSIVE EQUIP. RAILS

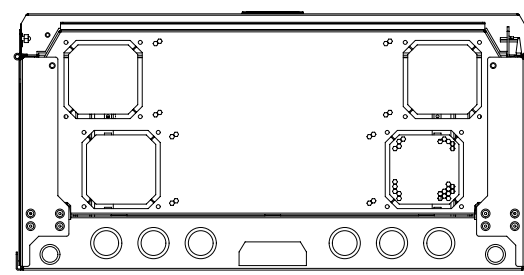
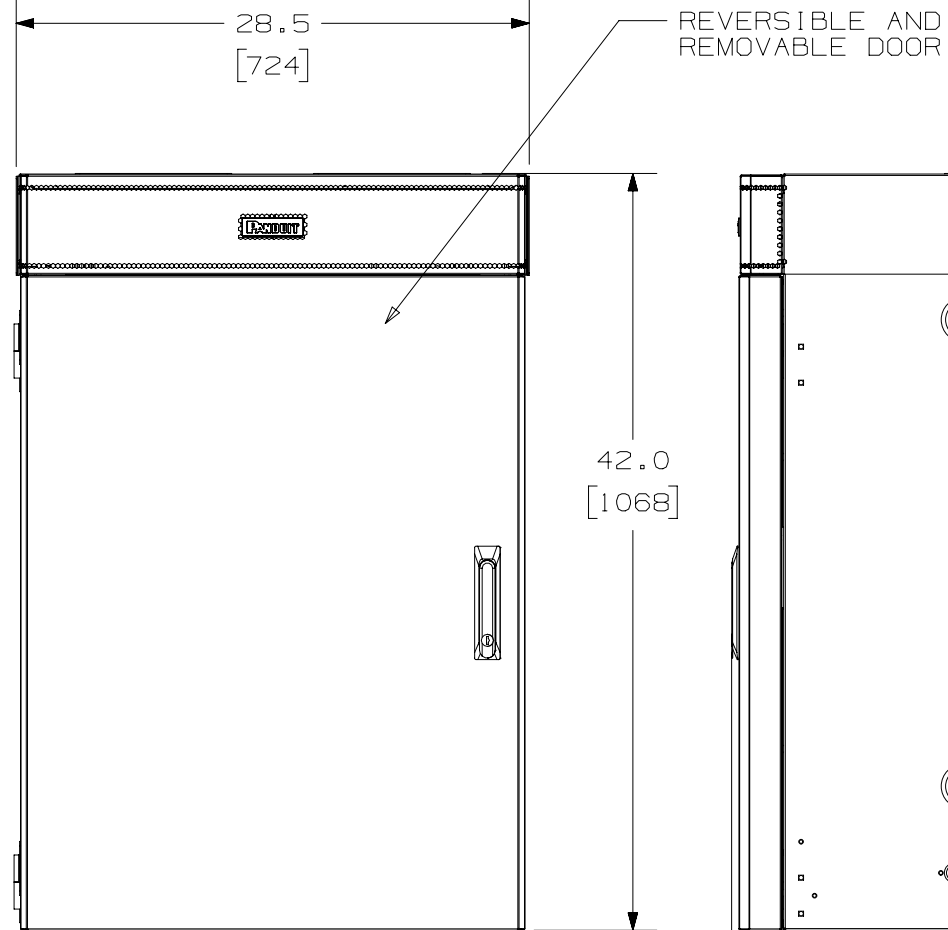
ADJUSTABLE HORIZONTAL ACTIVE EQUIP. RAILS (#12-24 AND CAGE NUT)

MULTIPLE CONDUIT BOX MOUNTING LOCATIONS

REMOVABLE BOTTOM PLATE

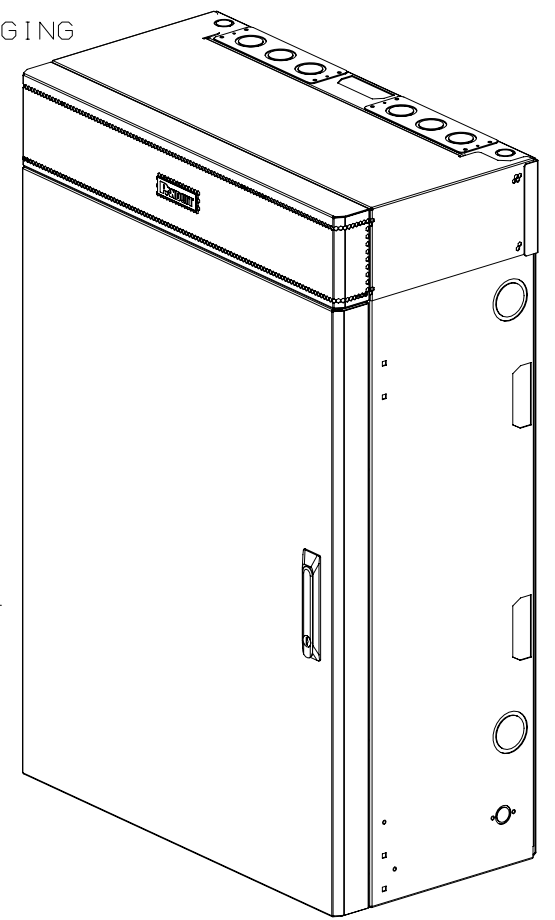
PERFORATED FOR AIRFLOW

PERFORATED FAN KNOCK-OUTS



NOTES:

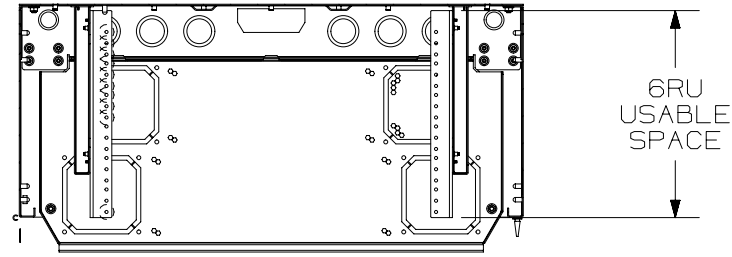
1. VISIT OUR ON-LINE CATALOG AT WWW.PANDUIT.COM FOR A LIST OF CURRENT PARTS APPLICABLE FOR USE WITH THIS PRODUCT.
2. DIMENSIONS IN [] ARE METRIC.
3. CAN BE USED WITH ANY 19" EIA STANDARD COMPONENT UP TO 36.9" [938mm] DEEP.
4. 6 AVAILABLE RACK SPACES. (6 ACTIVE &/OR 6 PASSIVE)
5. EQUIPMENT MOUNTING BRACKETS ARE ADJUSTABLE VERTICALLY IN 1.75" [44.5mm] INCREMENTS.
6. WEIGHT: 94 LB [42.6 kG]
7. LOAD CAPACITY: 300 LBS [136 kG]
8. TOP AND BOTTOM PANELS ARE REMOVABLE FOR ACCESS TO EQUIPMENT.
9. PART INCLUDES:
 - (1) VERTICAL WALL MOUNT ENCLOSURE
 - (1) PAIR OF HORIZONTAL ACTIVE EQUIPMENT RAILS (6RU)
 - (1) PAIR OF ANGLED PASSIVE EQUIPMENT RAILS (6RU)
 - (4) #12-24 SCREWS
 - (4) M5 THREAD FORMING BONDING SCREWS
 - (1) ROLL OF TAK-TY HOOK AND LOOP CABLE TIE
 - (2) KEYS
 - (1) ROLL OF GROMMET EDGING
 - (1) HARDWARE KIT
 - (1) DOOR GUIDE RAMP



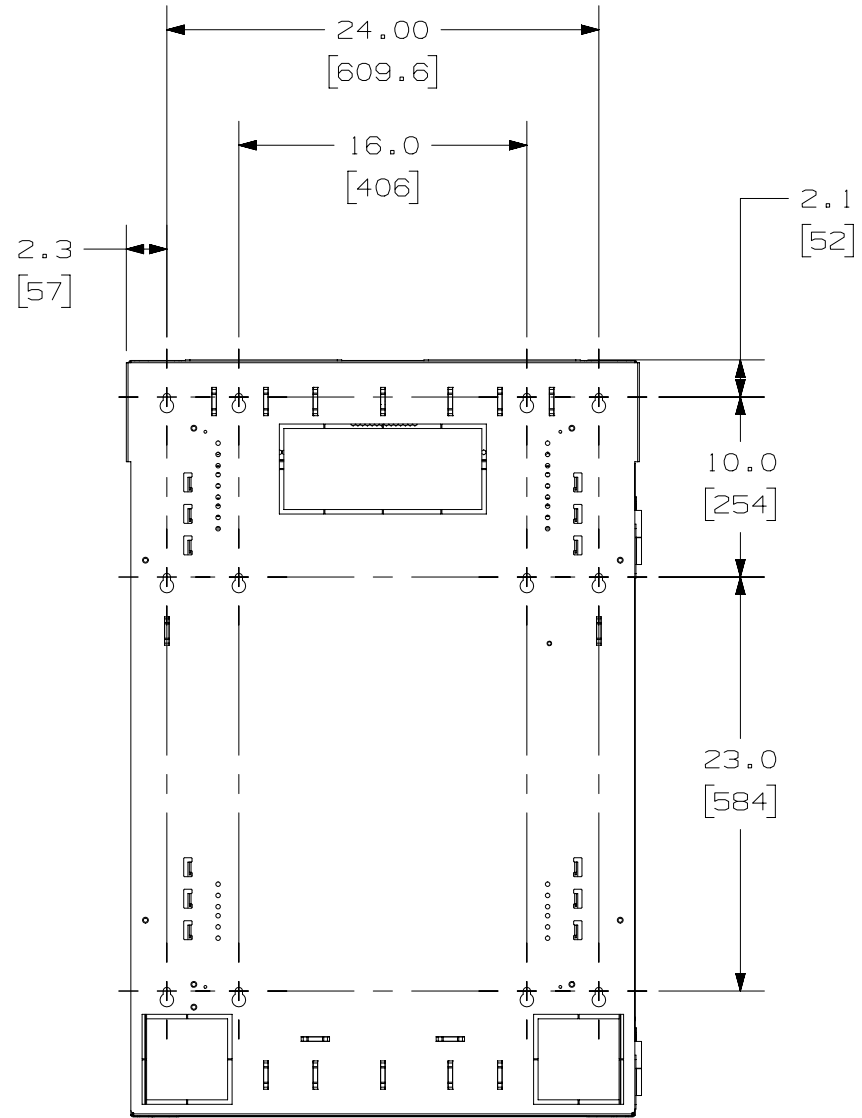
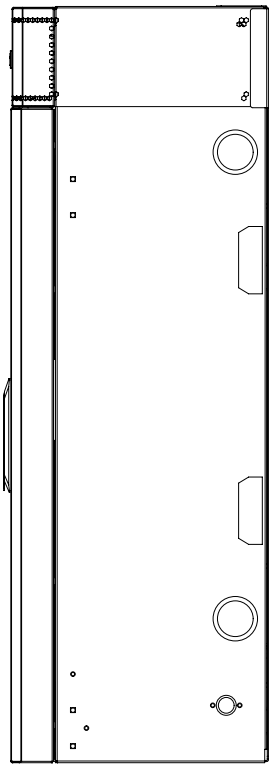
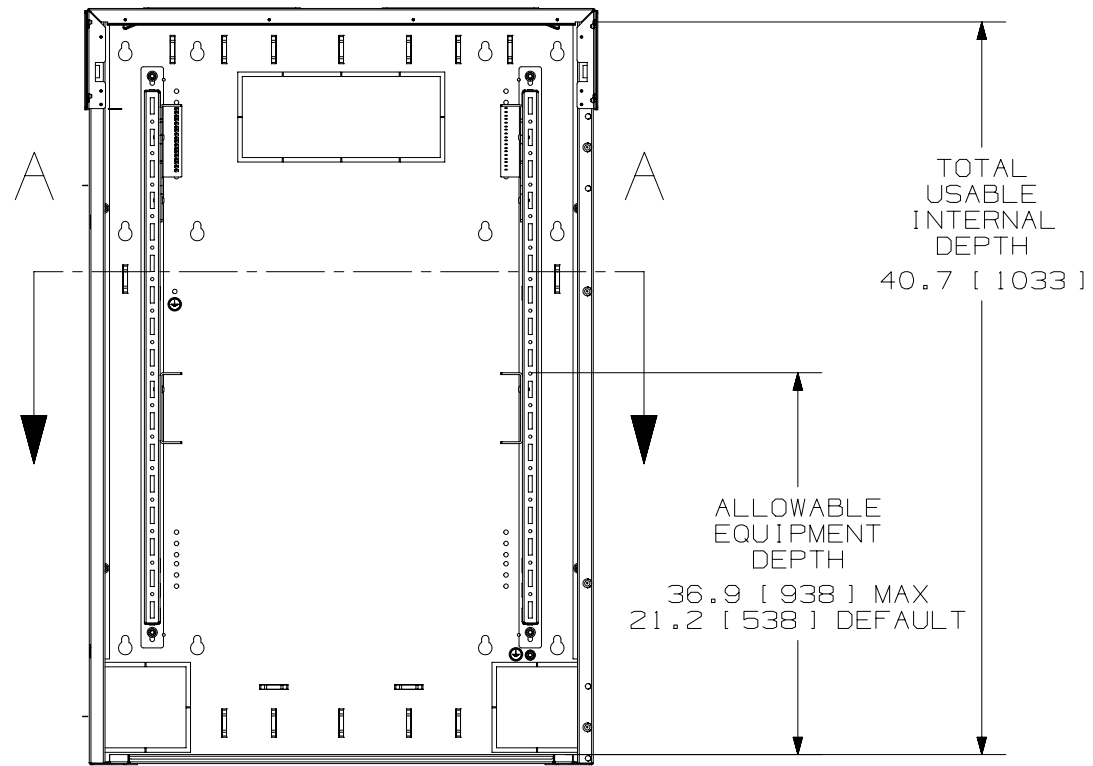
PART NUMBER		WME6BL, WME6WH	
TITLE		VERTICAL WALL MOUNT ENCLOSURE 6RU	
ITEM REVISION NAME		CUSTOMER DRAWING	
DATASET FILE NAME		00490EAB/06	
		00490EAB_DC/06A	
MATERIAL		STEEL	
DRAWN BY		TWW	
DATE		3-17-20	
CHK		KZU	
SCALE		NONE	
DRAWING NUMBER		00490EAB-DC	
SHEET 1 OF 3		B	

REV	DATE	BY	CHK	APR	DESCRIPTION	ECN
06A	1-23-24	TWV	KZU	BETL	ADDED P/N WME6WH	M09000LL/08
03A	6-13-22	TWV	KZU	BETL	ADDED DOOR GUIDE RAMP	M09000LL

B-SIZE CUSTOMER



SECTION A - A



PART NUMBER		WME6BL, WME6WH	
TITLE		VERTICAL WALL MOUNT ENCLOSURE 6RU	
CUSTOMER DRAWING			
ITEM REVISION NAME	00490EAB/06		
DATASET FILE NAME	00490EAB_DC/06A		
THIRD ANGLE PROJECTION		PANDUIT	
MATERIAL	STEEL	DRAWING NUMBER	
		00490EAB - DC	
DRAWN BY	DATE	CHK	SCALE
TWV	3-17-20	KZU	NONE
SHEET 2 OF 3		SIZE	
		B	

REV	DATE	BY	CHK	APR	DESCRIPTION	ECN
06A	1-23-24	TWV	KZU	BETL	SEE SHEET ONE FOR REVISIONS	M09000LL/08
03A	6-13-22	TWV	KZU	BETL	SEE SHEET ONE FOR REVISIONS	M09000LL

B-SIZE CUSTOMER

2

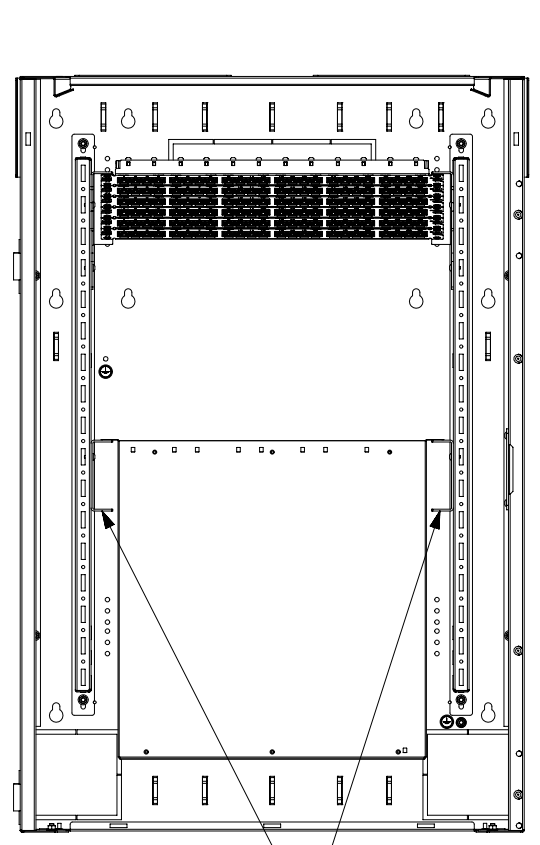


1

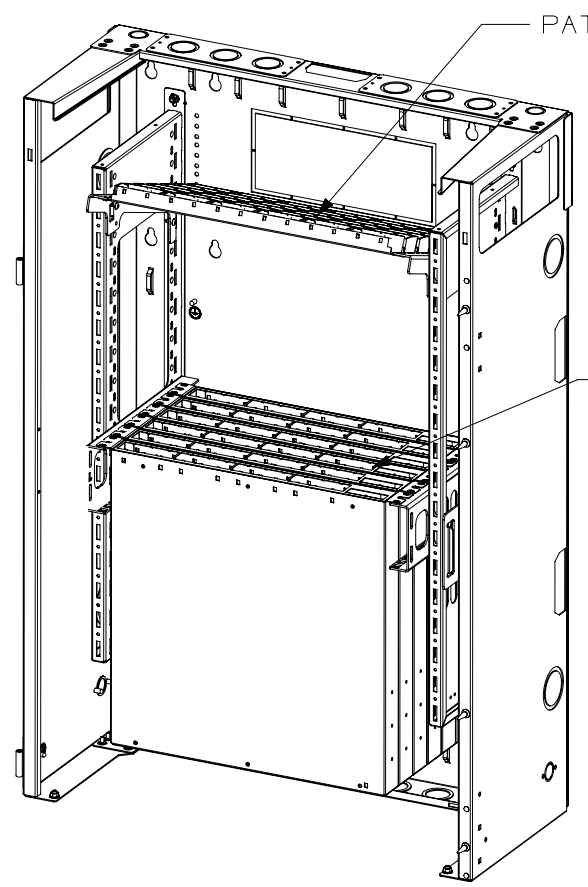
B



A



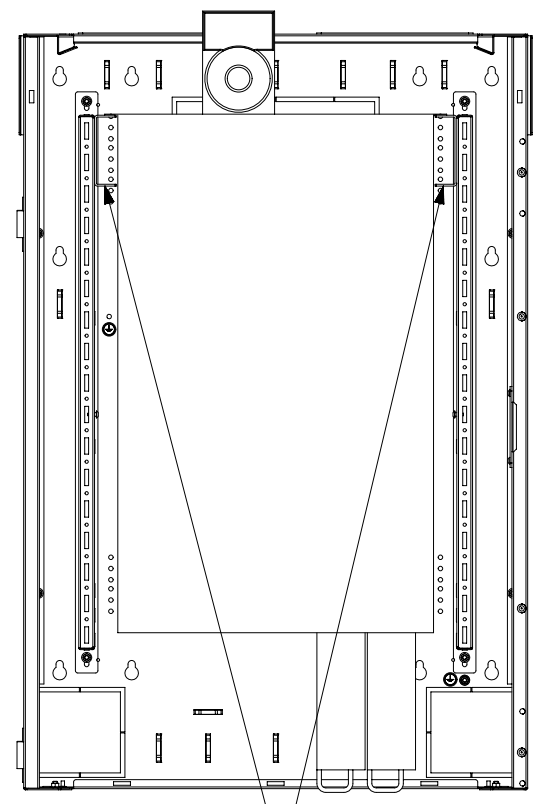
ADJUSTABLE EQUIPMENT BRACKETS (ADJUSTABLE VERTICALLY IN 1.75" [44.5] INCREMENTS



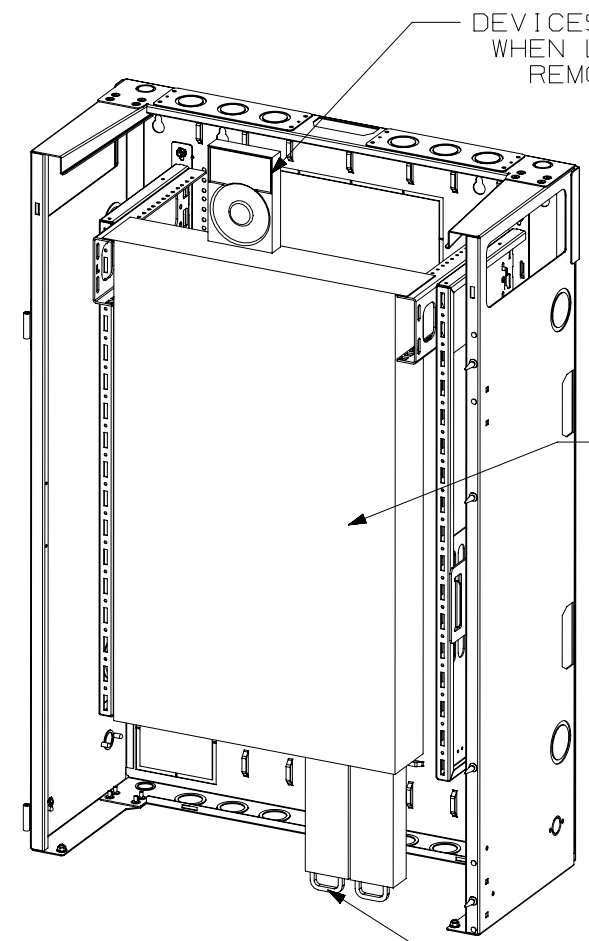
SWITCH CONFIGURATION

PATCH PANELS

NETWORK SWITCHES



ADJUSTABLE EQUIPMENT BRACKETS (ADJUSTABLE VERTICALLY IN 1.75" [44.5] INCREMENTS



SERVER CONFIGURATION

DEVICES EJECT WHEN LID IS REMOVED

SERVER(S)

DEVICES EJECT WHEN PLATE IS REMOVED

B



A

06A	1-23-24	TWV	KZU	BETL	SEE SHEET ONE FOR REVISIONS	M09000LL/08
03A	6-13-22	TWV	KZU	BETL	SEE SHEET ONE FOR REVISIONS	M09000LL
REV	DATE	BY	CHK	APR	DESCRIPTION	ECN

PART NUMBER		WME6BL, WME6WH	
TITLE		VERTICAL WALL MOUNT ENCLOSURE 6RU	
ITEM REVISION NAME		CUSTOMER DRAWING	
DATASET FILE NAME		00490EAB/06	PANDUIT
		00490EAB_DC/06A	
THIRD ANGLE PROJECTION		DRAWING NUMBER	
MATERIAL		STEEL	00490EAB - DC
DRAWN BY	DATE	CHK	SCALE
TWV	3-17-20	KZU	NONE
SHEET 3 OF 3			SIZE
			B

2



1

B-SIZE CUSTOMER