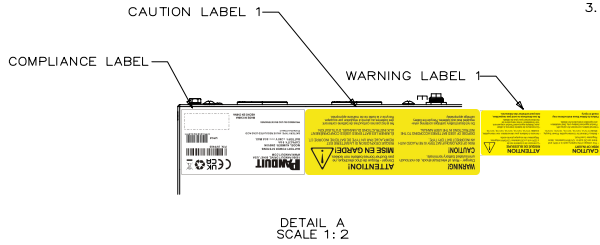
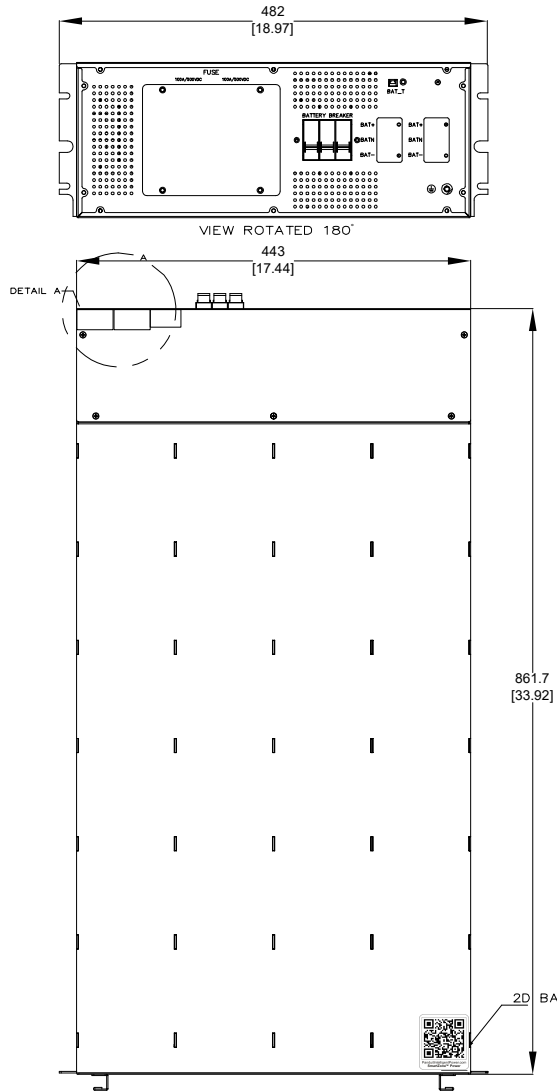


THIS COPY IS PROVIDED ON A RESTRICTED BASIS AND IS NOT TO BE USED IN ANY WAY DETRIMENTAL TO THE INTERESTS OF PANDUIT CORP.



1. STANDARD:

USE WITH UPS CAPACITY: 10-20 KVA 3 PHASE UNIT  
 BATTERY TYPE: VALVE REGULATED LEAD ACID-NON SPILLABLE  
 NOMINAL INPUT/OUTPUT VOLTAGE: +/-240VDC FOR A TOTAL OF 480VDC  
 BREAKER TYPE: 63A/3P(2)  
 WEIGHT OF Pb(LEAD): 68KG  
 WEIGHT OF H2SO4(SULFURIC ACID): 16KG

2. ADDITIONAL:  
 NONE

3. ACCESSORY COMPONENTS:

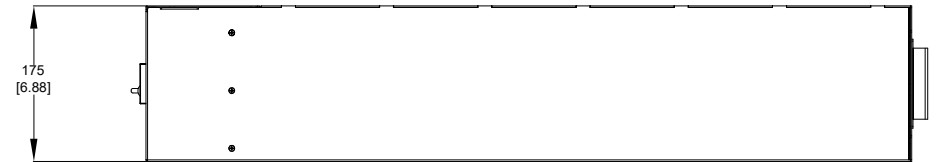
SAFTY WARNING SHEET, QTY: (1)  
 INCLUDES P/N: URM480 INSTALLATION RAIL KIT, QTY: (1)  
 REFER TO ASSOCIATED DRAWINGS FOR PHISICAL DIMENSIONS AND SPECIFICATIONS  
 EBP POWER CABLE, QTY: (1)  
 INCLUDES P/N: UVD480 BATTERY CARTRIDGE SET, QTY: (4)

NOTES:

1. PRIMARY DIMENSIONS ARE IN MILLIMETERS. SECONDARY DIMENSIONS ARE IN INCHES
2. INSTALLATION SHALL COMPLY WITH ALL APPLICABLE NATIONAL, STATE, AND LOCAL CODES
3. VISIT OUR ON-LINE CATALOG AT WWW.PANDUIT.COM FOR A CURRENT LIST OF PRODUCTS APPLICABLE FOR USE WITH THIS PART
4. ALL PURCHASED ITEMS CONFORM TO C2-0834 PANDUIT SPECIFICATION FOR CHEMICAL SUBSTANCES TO BE CONTROLLED IN PRODUCT AND PACKAGING

IDENTIFICATION:

PART NUMBER	DESCRIPTION	SHIPPING WEIGHT (KG)
UVP480	VRLA EXTERNAL BATTERY PACK (EBP) 4*10PCS 480V (9AH BATTERIES) CHASSIS, BATTERIES, AND RAIL KIT INCLUDED, FOR 10, 15, 20KVA 3 PHASE UPS ONLY	180



REV	DATE	BY	CHK	APR	DESCRIPTION	ECN
01A	03/09/2021	HL	ZKZ	GLM/DJB	A-ADDED NOTE UNDER VIEW B-UPDATED DESCRIPTION	UVP480
00A	02/27/2021	HL	ZKZ	GLM/DJB	RELEASE TO PRODUCTION	UVP480

WE ASK THAT YOU CHECK FULLY THE DIMENSIONS AND SIGN THE CLIENT SIGNATURE BOX. THE P/N AND NOT REVISION NUMBER MUST BE PRINTED PROPERLY TO AVOID EFFECT DELIVERY.		DATE	TIME			
TITLE EXTERNAL BATTERY PACK UVP480 CUSTOMER DRAWING		DATE	TIME			
WE REVISION DRAW UVP480/01 UVP480-DC/01A DIMENSIONAL TOLERANCES ARE: MM (M)		DATE	TIME			
PANDUIT N/A		DATE	TIME			
THIRD ANGLE PROJECTION UVP480-DC		DATE	TIME			
REV	DATE	BY	CHK	APR	DESCRIPTION	ECN
01A	03/09/2021	HL	ZKZ	GLM/DJB	A-ADDED NOTE UNDER VIEW B-UPDATED DESCRIPTION	UVP480
00A	02/27/2021	HL	ZKZ	GLM/DJB	RELEASE TO PRODUCTION	UVP480

THIS COPY IS PROVIDED ON A RESTRICTED BASIS AND IS NOT TO BE USED IN ANY WAY DETRIMENTAL TO THE INTERESTS OF PANDUIT CORP.

**PANDUIT**  
 18900 PANDUIT DRIVE, 60487, USA  
 WWW.PANDUIT.COM

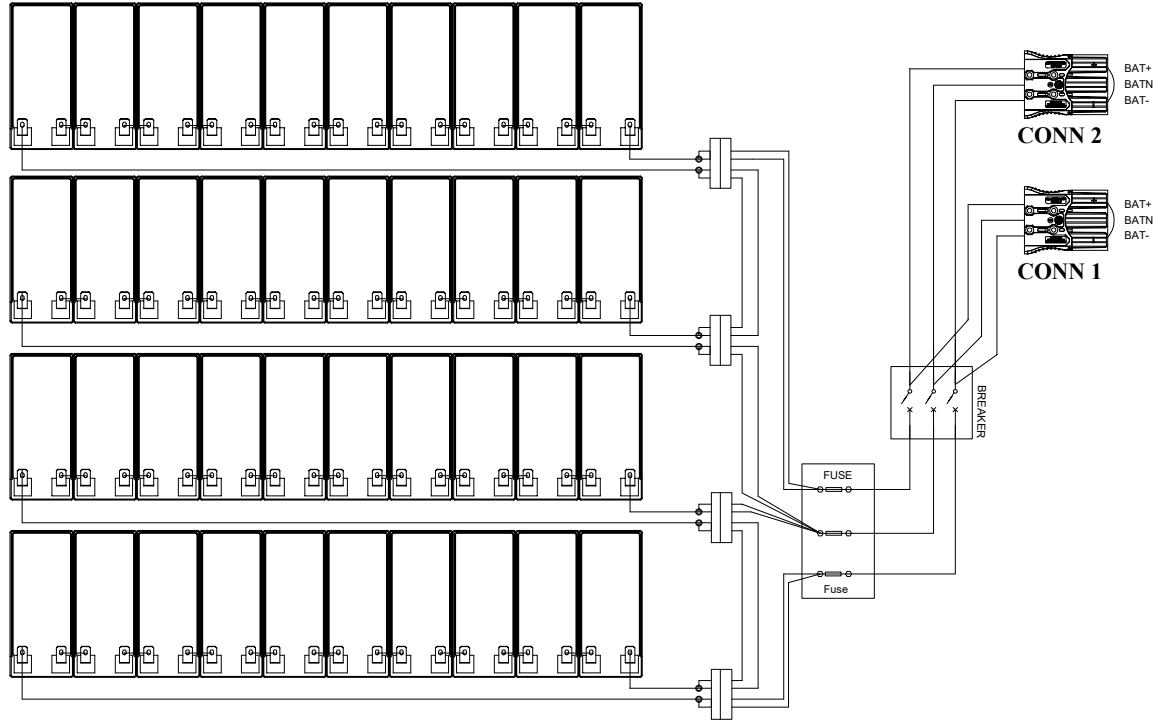
BATTERY POWER SYSTEMS  
 MODEL NUMBER: 2M0V0N  
 CAPACITY: 9 Ah  
 BATTERY: ± 240 V --- 44 A MAX.  
 BATTERY TYPE: VALVE REGULATED LEAD ACID  
 Protective Class: I

PROHIBIDO SU USO EN EXTERIORES  
 MADE IN CHINA  
 HECHO EN CHINA

CE UK CA  
 P/N: UVP480  
 UPC# 6 13056102545 1

EXTERNAL BATTERY PACK:  
 UVP480

BATTERY



LEGEND			
	DESCRIPTION CIRCUIT BREAKER		DESCRIPTION AC-DC CONVERTER
	DESCRIPTION RELAY		DESCRIPTION DC-DC CONVERTER
	DESCRIPTION CB (CIRCUIT BREAKER)		DESCRIPTION BATTERY SYMBOL
	DESCRIPTION DC-DC CONVERTER		DESCRIPTION FUSE
			DESCRIPTION BATTERY UNIT

DATE		REV		DATE		REV	
EXTERNAL BATTERY PACK UVP480							
CUSTOMER DRAWING							
UVP480/01				UVP480-DC/01A			
UNLESS OTHERWISE SPECIFIED, DIMENSIONS ARE IN MILLIMETERS (M) AND DECIMAL TOLERANCES ARE: .50 (M)							
THIRD ANGLE PROJECTION							
SHEET 1 OF 2							
DATE		BY		DATE		BY	
03/01/2022	HL	ZRZ	GLM/DJB	12/01/2021	HL	ZRZ	GLM/DJB
REV		DATE		REV		DATE	
00A	12/01/2021	01	08/17/2021	00A	12/01/2021	01	08/17/2021
DESCRIPTION		DESCRIPTION		DESCRIPTION		DESCRIPTION	
A-ADDED NOTE UNDER VIEW B-UPDATED DESCRIPTION		RELEASE TO PRODUCTION		RELEASE TO PRODUCTION		RELEASE TO PRODUCTION	
UVP480		UVP480		UVP480		UVP480	
ECN		ECN		ECN		ECN	