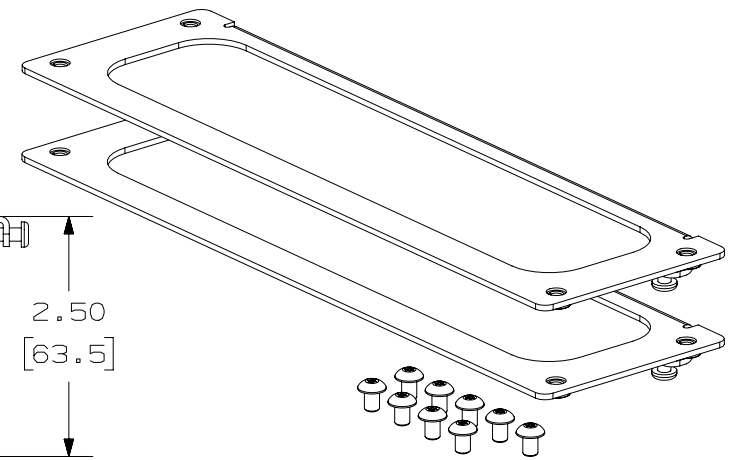
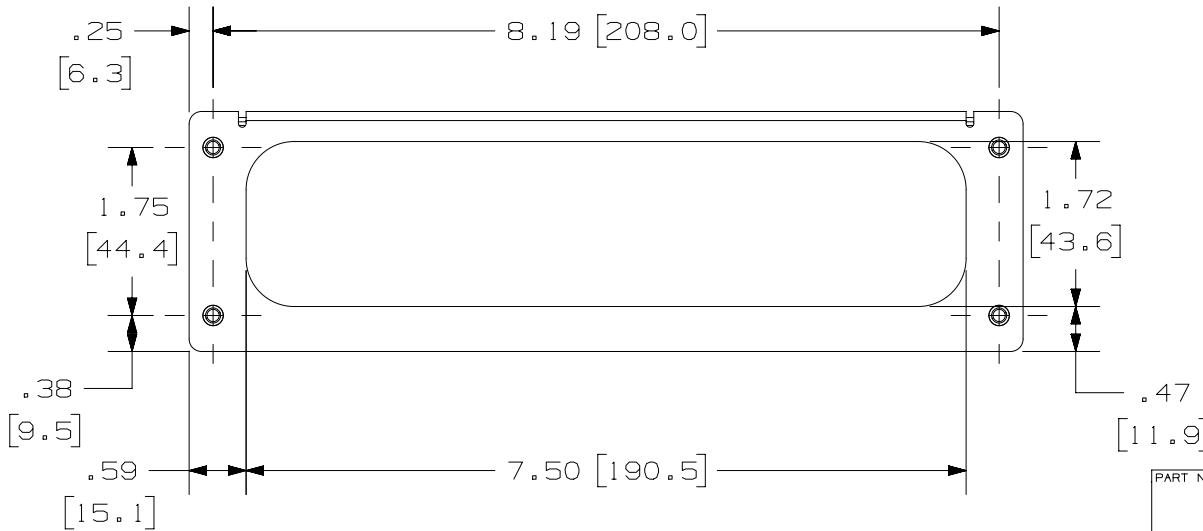
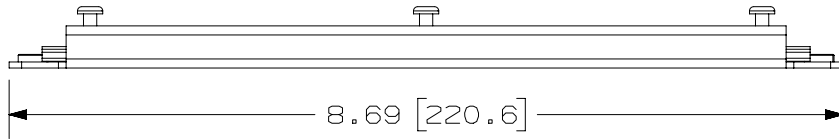
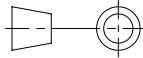


THIS COPY IS PROVIDED ON A RESTRICTED BASIS AND IS NOT TO BE USED IN ANY WAY DETRIMENTAL TO THE INTERESTS OF PANDUIT CORP.

NOTES:

1. VISIT OUR ON-LINE CATALOG AT WWW.PANDUIT.COM FOR A LIST OF CURRENT PARTS APPLICABLE FOR USE WITH THIS PRODUCT.
2. DIMENSIONS IN [] ARE METRIC.
3. ALL MATERIALS AND COMPONENTS USED MEET THE MATERIAL RESTRICTIONS OF RoHS (EUROPEAN DIRECTIVE 2011/65/EU ON THE RESTRICTION OF HAZARDOUS SUBSTANCES) AS PROPOSED BY THE RoHS TECHNICAL ADAPTATION COMMITTEE.
4. WEIGHT: .95 LB [0.43 kg]
5. PART INCLUDES:
 - 2 - BRUSHED ENTRY PLATES
 - 9 - M4 X 6mm BUTTON HEAD SCREWS



PART NUMBER		WMEBR		
TITLE		WME BRUSHED ENTRY KIT		
		CUSTOMER DRAWING		
ITEM REVISION NAME		00490EAE/00		
DATASET FILE NAME		00490EAE_DC/00A		
		THIRD ANGLE PROJECTION		
MATERIAL		STEEL		DRAWING NUMBER
				00490EAE - DC
REV	DATE	BY	CHK	SCALE
00A	5-19-20	TWV	KZU	1:2
DESCRIPTION		ECN	SHEET 1 OF 1	
RELEASED TO PRODUCTION		M09000L0	A	

A-SIZE CUSTOMER

2

1

2

1