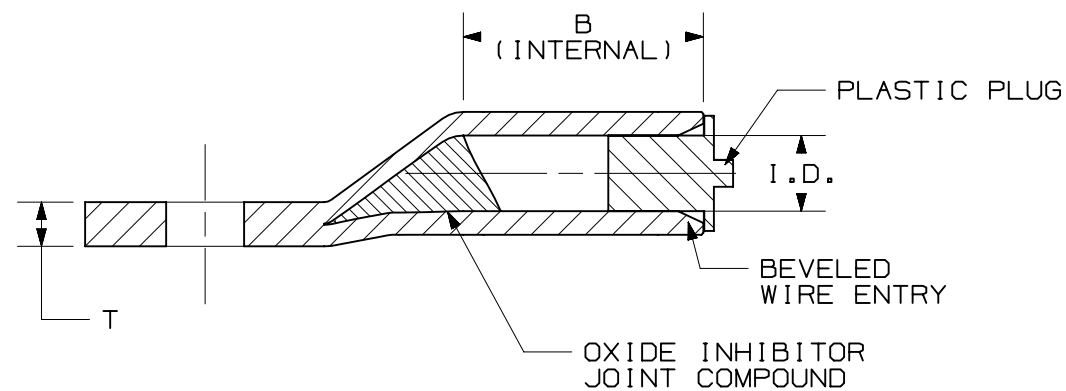
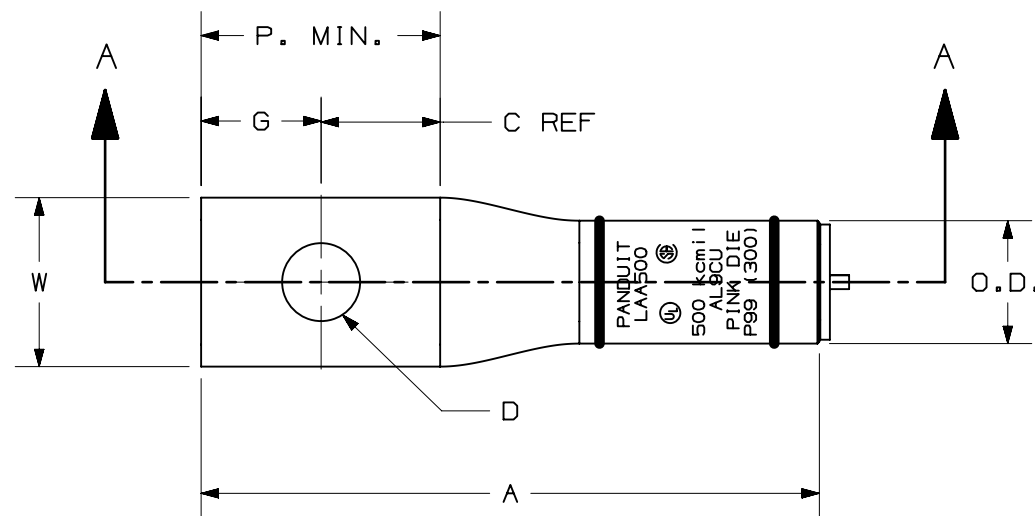


THIS COPY IS PROVIDED ON A RESTRICTED BASIS AND IS NOT TO BE USED IN ANY WAY DETRIMENTAL TO THE INTERESTS OF PANDUIT CORP.

PANDUIT PART NUMBER	PACKAGE QUANTITY	CONDUCTOR SIZE	WIRE STRIP LENGTH	STUD SIZE	OVERALL LENGTH "A" ±.12	BARREL LENGTH "B" MIN.	I.D. ±.01	O.D. ±.01	TONGUE WIDTH "W" ± .06	TONGUE THICKNESS "W" ± .02	TONGUE LENGTH "P" MIN.	HOLE OFFSET "G" ± .03	STUD HOLE DIA "D" ±.02	WRENCH CLEARANCE "C" REF	PANDUIT DIE COLOR CODE PANDUIT DIE INDEX NUMBER (BURNDY DIE INDEX NUMBER)
LAA300-38-15	15	300 kcmil	2-5/16"	3/8"	4.00	2.25	.65	1.01	1.38	.34	1.31	.63	.41	.68	BLUE DIE P76 (470)
LAA350-12-15	15	350 kcmil	2-5/16"	1/2"	4.28	2.25	.72	1.11	1.51	.38	1.31	.63	.53	.68	BROWN DIE P87 (299)
LAA400-58-XR	10	400 kcmil	2-9/16"	5/8"	4.88	2.50	.76	1.19	1.61	.41	1.25	.63	.66	.62	GREEN DIE P94 (472)
LAA500-12-6	6	500 kcmil	3-1/16"	1/2"	5.50	3.00	.84	1.32	1.74	.45	1.50	.63	.53	.87	PINK DIE P99 (300)
LAA750-12-EF	20	750 kcmil	3-7/16"	1/2"	6.50	3.38	1.03	1.29	1.74	.54	1.88	.88	.53	1.00	RED DIE P125 (301)
LAA750-58-E	20			5/8"									.66		
LAA1000-58-X	10	1000 kcmil	4-3/4"	5/8"	7.31	4.50	1.19	1.84	2.56	.63	1.88	.88	.66	1.00	BROWN DIE P161 (302)

NOTES:

- MATERIAL: SEAMLESS ALUMINUM TUBING, TIN PLATED
- BARREL COLOR CODED WITH DIE SET INDEX NUMBER
- WIRE TYPE:
COPPER CLASS B CONCENTRIC, COMPRESSED AND COMPACT STRANDED WIRE
COPPER CLASS C CONCENTRIC STRANDED WIRE
ALUMINUM CLASS B, CONCENTRIC, COMPRESSED, AND UNIDIRECTIONAL LAY COMPACT STRANDED WIRE
- UL LISTED & CSA CERTIFIED TEMPERATURE RATED 90° (AL9CU)
- UL LISTED & CSA CERTIFIED VOLTAGE RATING 35KV
- DIMENSIONS IN INCHES



SECTION A-A

REV	DATE	BY	CHK	APR	DESCRIPTION	ECN
01A	8-14-23	JHNU	JHNU	MRWA	B. REVISED PART NUMBER: LAA750-12-EF WAS LAA750-12-E A. CONVERTED TO NX	133208

PART NUMBER		SEE TABLE	
TITLE			
LAA SERIES 300-1000 kcmil ALUMINUM LUGS			
CUSTOMER DRAWING			
ITEM REVISION NAME		02903NBC/01	
DATASET FILE NAME		02903NBC-DC/01A	
THIRD ANGLE PROJECTION			
MATERIAL		SEE NOTES	
DRAWING NUMBER		02903NBC-DC	
DRAWN BY	DATE	CHK	SCALE
JHNU	8-14-23	JHNU	NONE
SHEET 1 OF 1			SIZE
			B

B-SIZE CUSTOMER