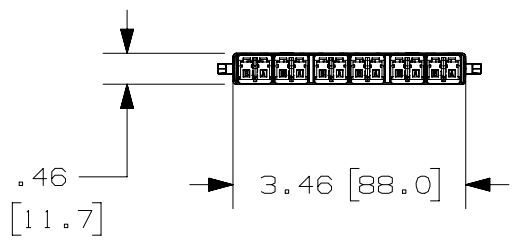
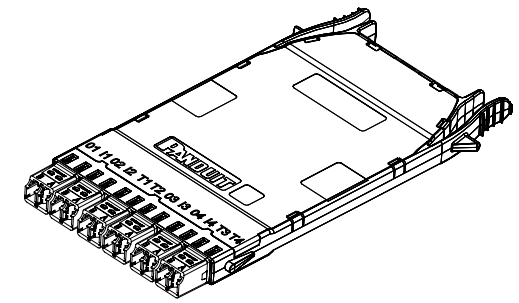
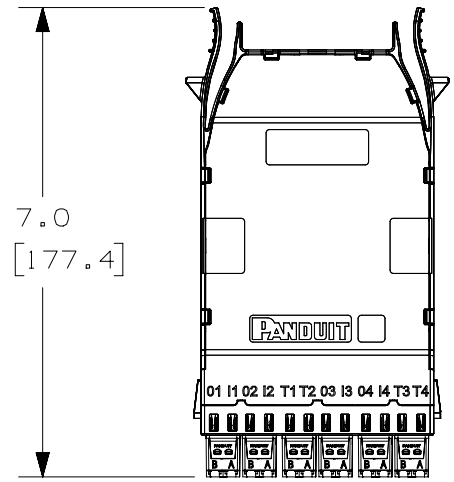


THIS COPY IS PROVIDED ON A RESTRICTED BASIS AND IS NOT TO BE USED IN ANY WAY DETRIMENTAL TO THE INTERESTS OF PANDUIT CORP.

- NOTES:
1. SEE TABLE FOR SPECIFIC PART NUMBERS
 2. SEE PAGE 2 FOR PORT MAPPING
 3. MATERIALS:
 - A. ENCLOSURE: PLASTIC
 - B. ADAPTERS: COMPOSITE PLASTIC
 4. PART WEIGHT: 3.4 oz [84 g]
 5. DIMENSIONS IN BRACKETS ARE METRIC [mm]
 6. ALL DIMENSIONS ARE FOR REFERENCE ONLY

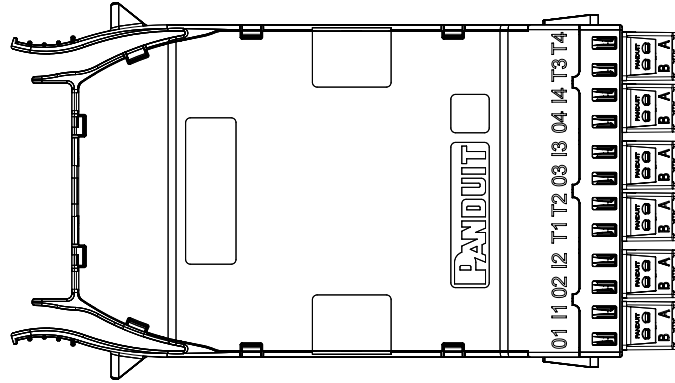


TAP MODULE SPECIFICATIONS		
PART NUMBER	SPLIT RATIO (LIVE/TAP)	CONNECTOR ENDFACE
FHCT-5ZUC	50/50	UPC
FHCT-7ZUC	70/30	UPC

REV	DATE	BY	CHK	APR	DESCRIPTION	ECN
00A	05-03-18	SAT	BONS	EJH	INITIAL RELEASE	17F187AC-DC

TITLE HDFE TAP MODULE, 2 PORT, LC-LC		CUSTOMER DRAWING	
ITEM REVISION NAME 17F187AC/00		PANDUIT	
DATASET FILE NAME 17F187AC_DC/00A			
UNLESS OTHERWISE SPECIFIED, DIMENSIONAL TOLERANCES ARE: IN [mm]		PART NO. FHCT-*ZUC	
.x ± .03 [0.8] .xxx ± .005 [0.127] .xx ± .01 [0.25] ANGLES ± 5		DRAWING NUMBER: 17F187AC-DC	
		THIRD ANGLE PROJECTION	
DRAWN BY SAT	DATE 05-02-18	CHK BONS	SCALE NONE
SHT 1 OF 2			SIZE A

THIS COPY IS PROVIDED ON A RESTRICTED BASIS AND IS NOT TO BE USED IN ANY WAY DETRIMENTAL TO THE INTERESTS OF PANDUIT CORP.



CHANNEL	INPUT PORT	OUTPUT PORT (50% OR 70% OF POWER)	TAP PORT (50% OR 30% OF POWER)
1	11	02	T1
2	12	01	T2
3	13	04	T3
4	14	03	T4

										TITLE	HDFE TAP MODULE, 2 PORT, LC-LC			
										ITEM REVISION NAME	17F187AC/00			
										DATASET FILE NAME	17F187AC_DC/00A			
										UNLESS OTHERWISE SPECIFIED, DIMENSIONAL TOLERANCES ARE: IN (mm)	PANDUIT			
												PART NO.	FHCT-*ZUC	
											DRAWING NUMBER:	17F187AC-DC		
										SEE SHEET 1 FOR REVISION HISTORY				
REV	DATE	BY	CHK	APR		DESCRIPTION		ECN	DRAWN BY	DATE	CHK	SCALE	SHT 2 OF 2	SIZE
									SAT	05-02-18	BONS	NONE		A

2

1

2

1