

For complete HD Flex Fiber Cassette Enclosure installation instructions, visit www.panduit.com and search FS111.

Table 1:

Product Family	Cassette part number	Cassette Description
24-Fiber LC Splice Cassette (pre-loaded with discrete pigtails)	FHSZA-24-10P	24-Fiber OM4 LC, Discrete Pigtails, Ultra IL
	FHS9N-24-10P	24-Fiber OS2 LC, Discrete Pigtails, Standard IL
	FHS9N-24-LAP	24-Fiber OS2 LC/APC, Discrete Pigtails, Standard IL
24 Fiber LC Splice Cassette (pre-loaded with ribbon pigtails)	FHSZA-24-10R	24-Fiber OM4 LC, Ribbon Pigtails, Ultra IL
	FHS9N-24-10R	24-Fiber OS2 LC, Ribbon Pigtails, Standard IL
	FHS9N-24-LAR	24-Fiber OS2 LC/APC, Ribbon Pigtails, Standard, IL
12 Fiber SC Splice Cassette (pre-loaded with discrete pigtails)	FHSZA-12-03P	12-Fiber OM4 SC, Discrete Pigtails, Ultra IL
	FHS9N-12-03P	12-Fiber OS2 SC, Discrete Pigtails, Standard IL
	FHS9N-12-3AP	12-Fiber OS2 SC/APC, Discrete Pigtails, Standard, IL
12-Fiber SC Splice Cassette (pre-loaded with ribbon pigtails)	FHSZA-12-03R	12-Fiber OM4 SC, Ribbon Pigtails, Ultra IL
	FHS9N-12-03R	12-Fiber OS2 SC, Ribbon Pigtails, Standard IL
	FHS9N-12-3AR	12-Fiber OS2 SC/APC, Ribbon Pigtails, Standard IL
Splice Only Cassette	FHSN-24	Splice Only Cassette, No Front Connectivity

WARNING: UNMATED CONNECTORS MAY EMIT INVISIBLE LASER RADIATION. MAIN-TAIN DUST CAPS ON UNMATED CONNECTORS.

CAUTION: Fiber optic cable is sensitive to excess pulling, bending, and crushing forces. Consult the manufacturer's cable specifications sheet for specific cable to use.

Contents

24 Splice LC Splice Cassette pre-loaded with discrete pigtails

- (24) 40mm Discrete Split Sleeves
- (4) Pan-Ty™ Cable Ties

24 Fiber LC Splice Cassette pre-loaded with ribbon pigtails

- (24) 40mm Ribbon Splice Sleeves
- (4) Pan-Ty™ Cable Ties

12 Fiber SC Splice Cassette pre-loaded with discrete pigtails

- (12) 40mm Discrete Splice Sleeves
- (4) Pan-Ty™ Cable Ties

12 Fiber SC Splice Cassette pre-loaded with ribbon pigtails

- (1) 40mm Ribbon Splice Sleeve
- (4) Pan-Ty™ Cable Ties

Splice Only Cassette

- (24) 40mm Discrete Splice Sleeves
- (4) 40mm Discrete Splice Sleeves
- (8) Pan-Ty™ Cable Ties

Additional splice protectors available from *PANDUIT*:

- FOSP40-C: Single Fiber Splice Protectors (100 pcs)
- FOSPR40-L: Ribbon Fiber Splice Protectors (50 pcs)

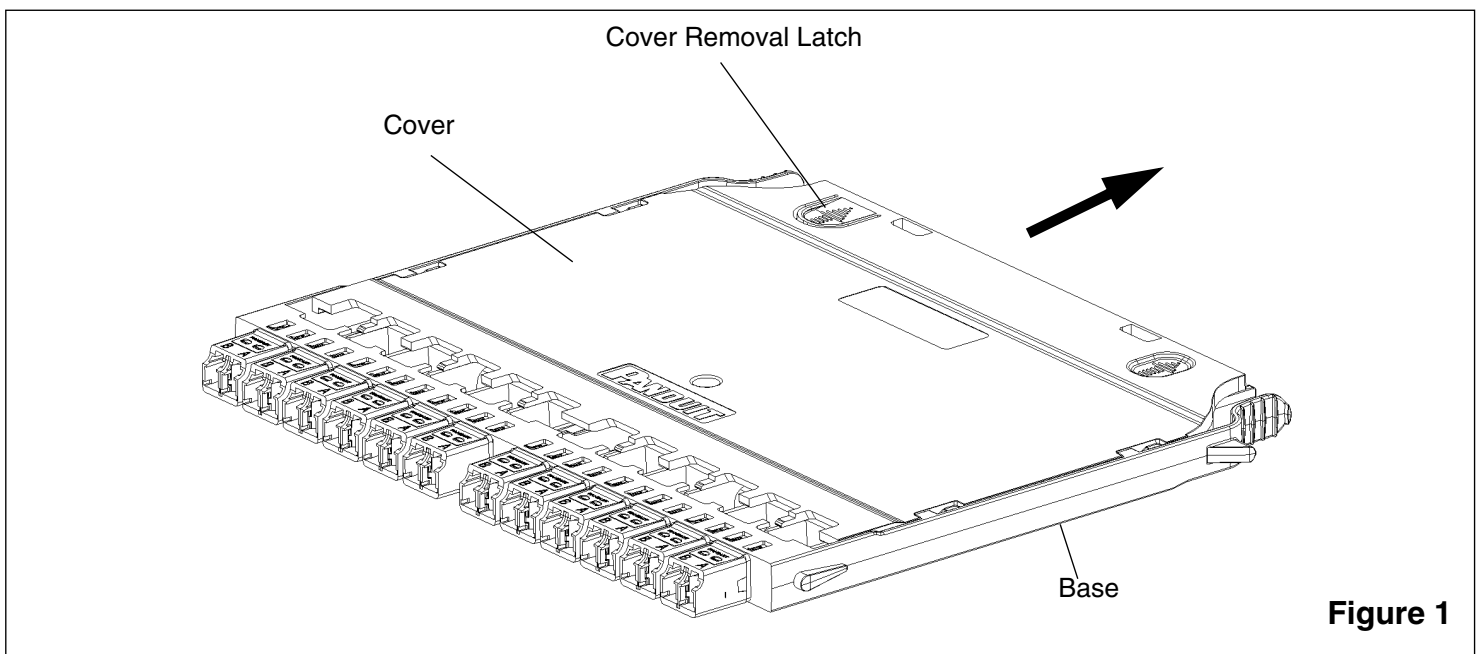


Figure 1

Remove the cover, by pressing down on the cover removal latch, then sliding the cover back, in the direction of the arrow.

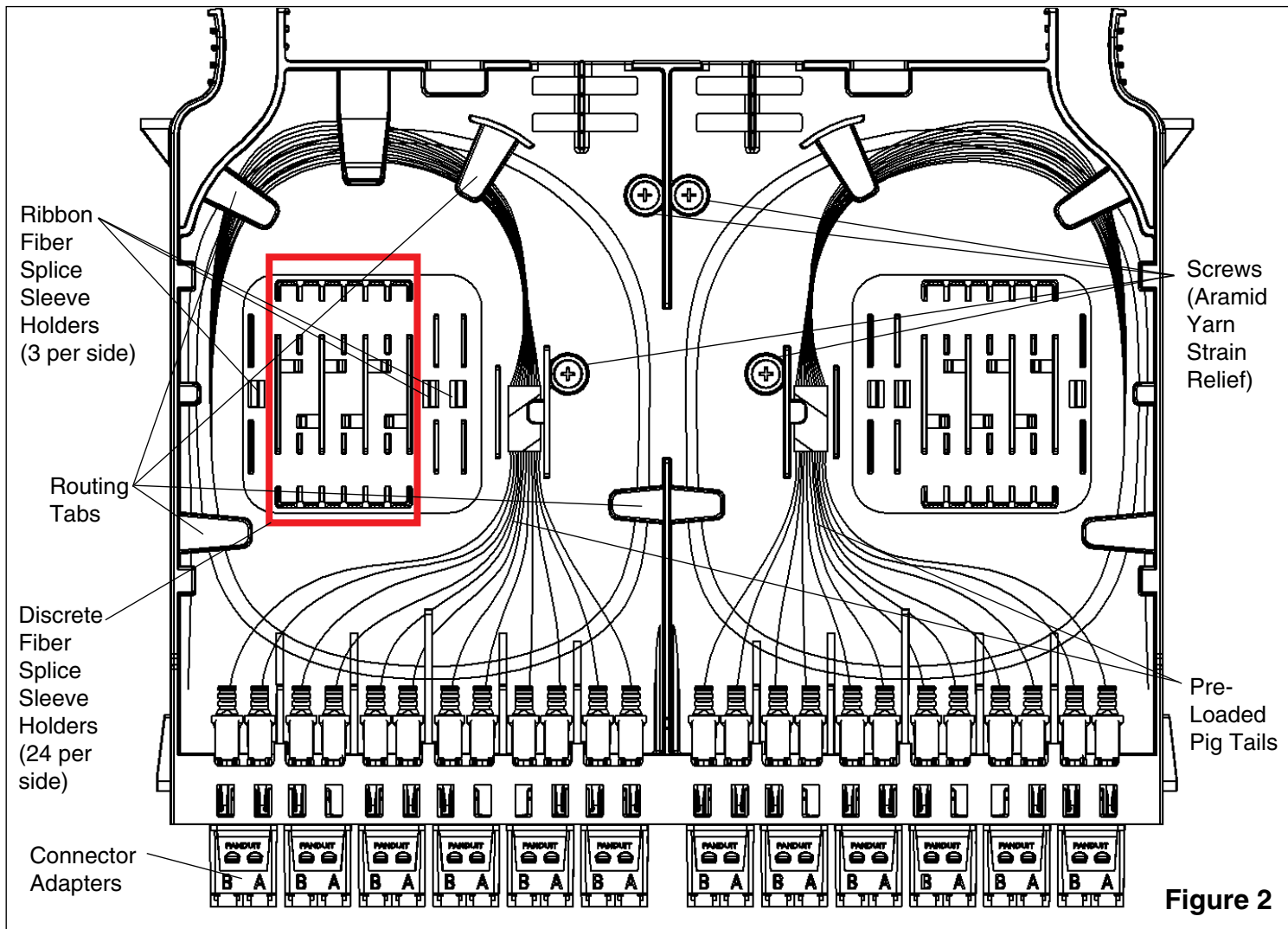


Figure 2

Note the location of the internal components. The splice only cassettes are not supplied with pre-loaded pigtails nor connector adapters.

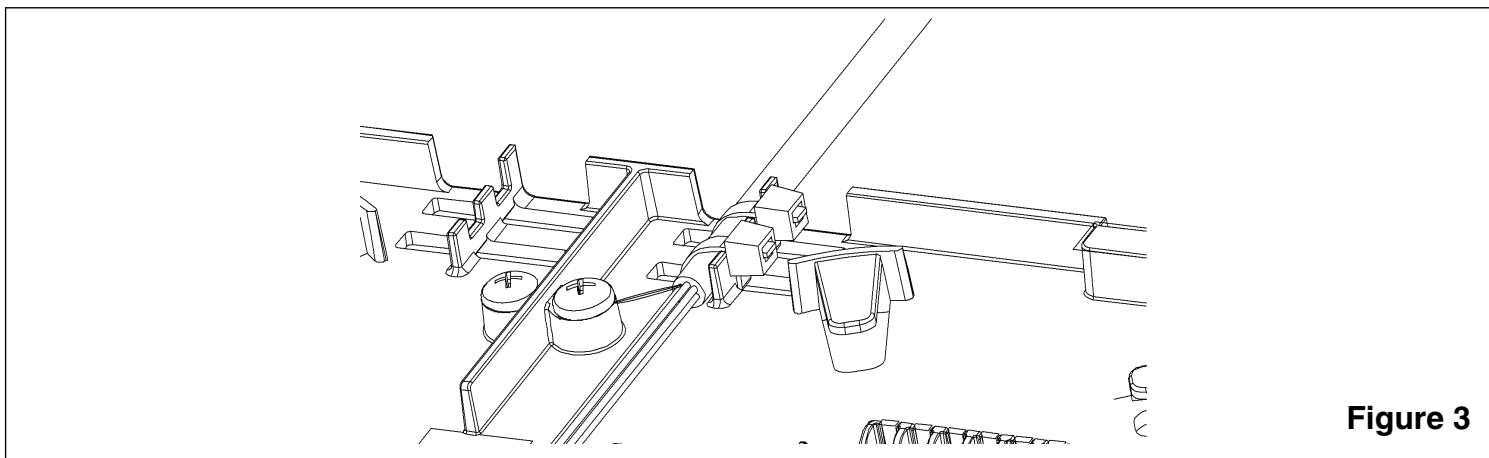


Figure 3

Strip incoming field outer cable jacket 20 inches, Secure with Pan-Ty™ Cable Ties, and Aramid Yarn with screw (optional). Max cable diameter: 7.4mm
 Expose all fiber ends for splicing. Slide a splice sleeve onto either the (pigtail or field) fiber. Splice all fibers and heat splice sleeve(s). Refer to splicer manufacturer best practice instructions.

Refer to the following figures to route spliced fibers into cassettes ensuring fibers are located under the routing tabs. Secure splice sleeves in splice sleeve holders. Up to two splice sleeves can be stacked under each splice sleeve holder.

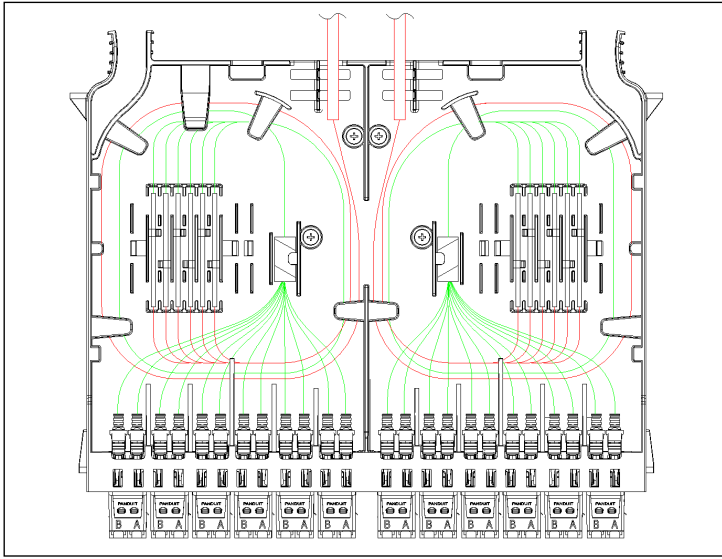


Figure 4: 24 Fiber LC Splice Cassette with discrete pigtails

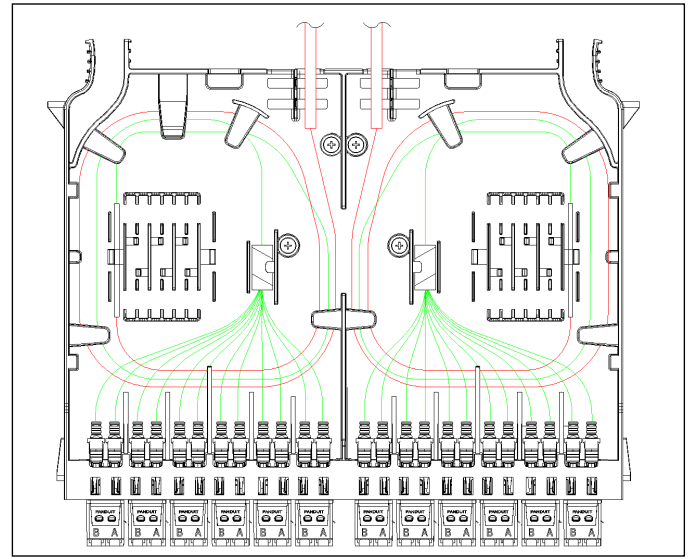


Figure 5: 24 Fiber LC Splice Cassette with ribbon pigtails

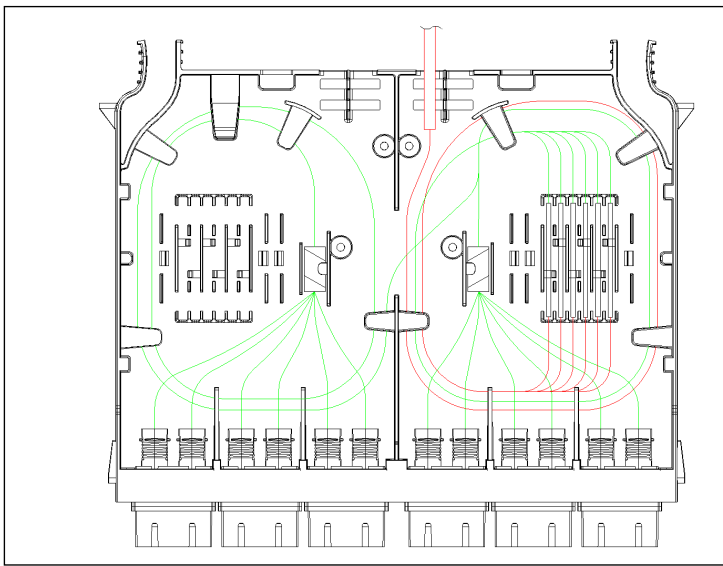


Figure 6: 12 Fiber SC Splice Cassette with discrete pigtails

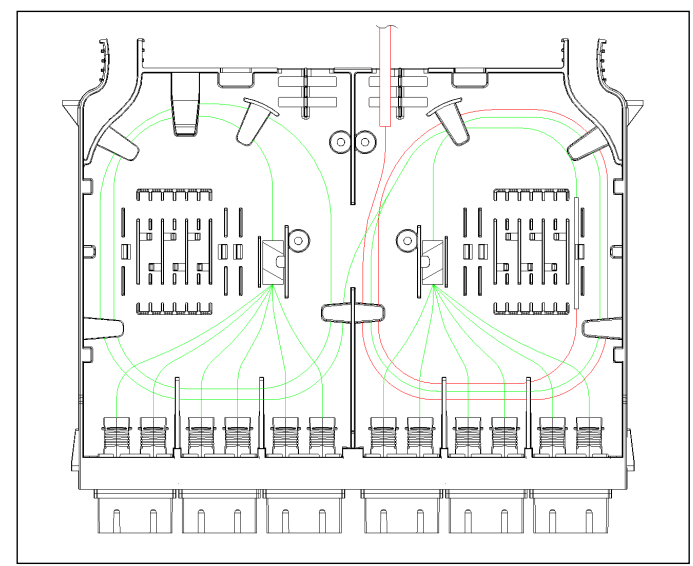


Figure 7: 12 Fiber SC Splice Cassette with ribbon pigtails

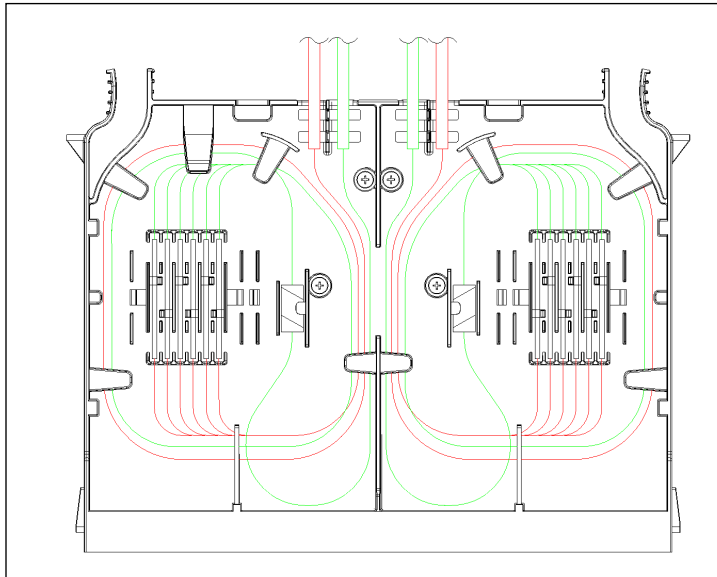


Figure 8: Discrete fiber in splice only cassette

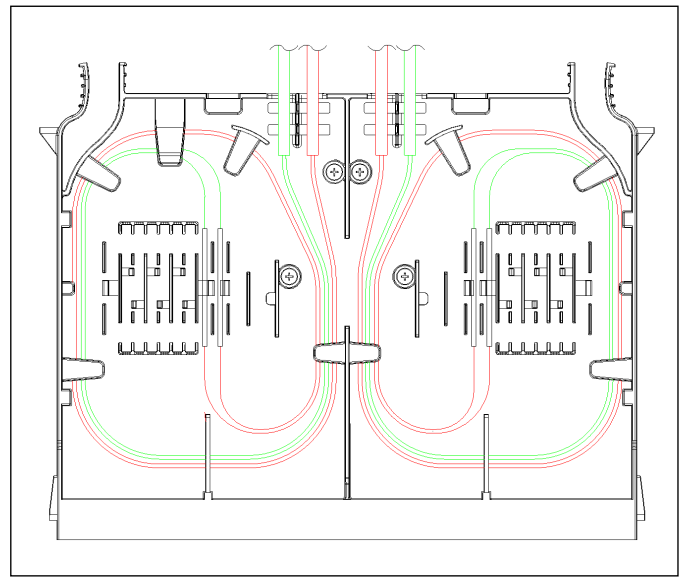


Figure 9: Ribbon Fiber in splice only cassette

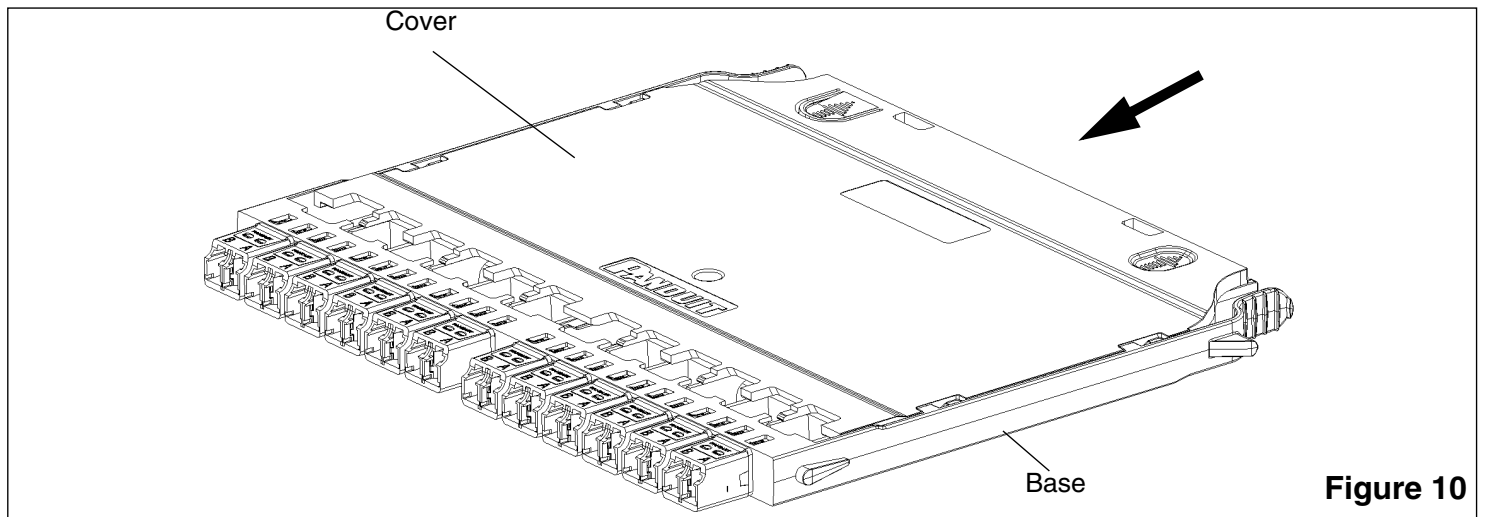


Figure 10

Re-install cover by sliding it forward onto the base.

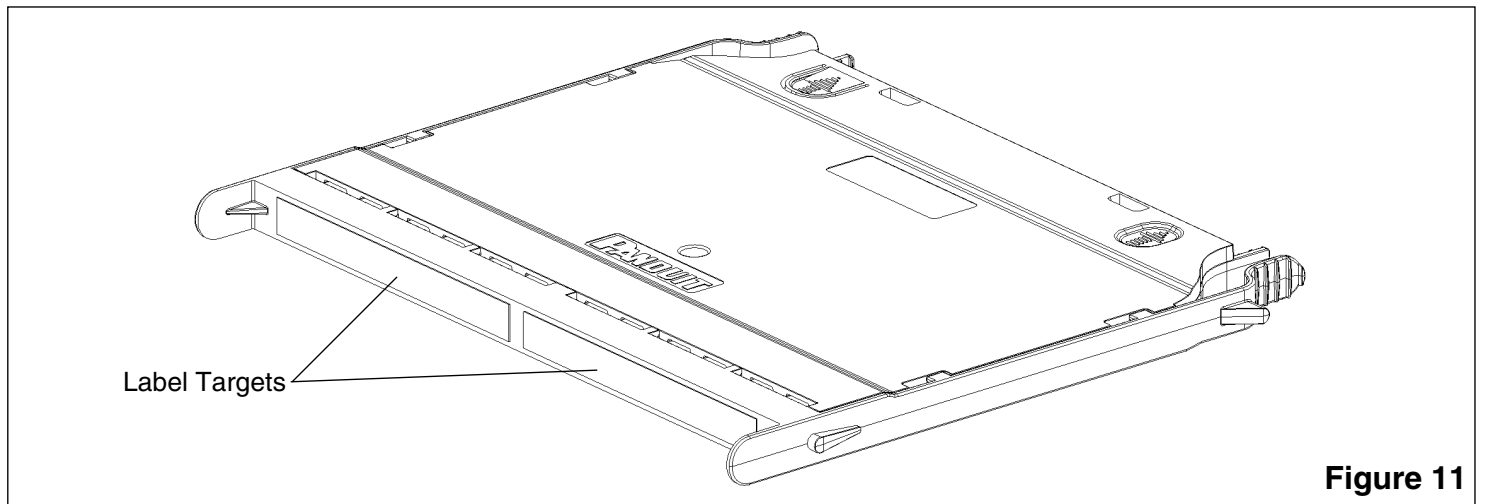


Figure 11

Splice only cassettes provide label targets. Each label can accommodate labels up to 3.25" long and 0.35" tall.

<p>For Instructions in Local Languages and Technical Support: www.panduit.com/resources/install_maintain.asp</p>	 <p>PANDUIT www.panduit.com</p>	<p>E-mail: techsupport@panduit.com Phone: 866-405-6654</p>
--	---	---