

#### SPECIFICATIONS:

Material: SMC, water resistant, dust-proof, IP55

Dimension (HxWxD): 400 x 300 x 110 mm

Color: Light Gray

Adapter Type: SC

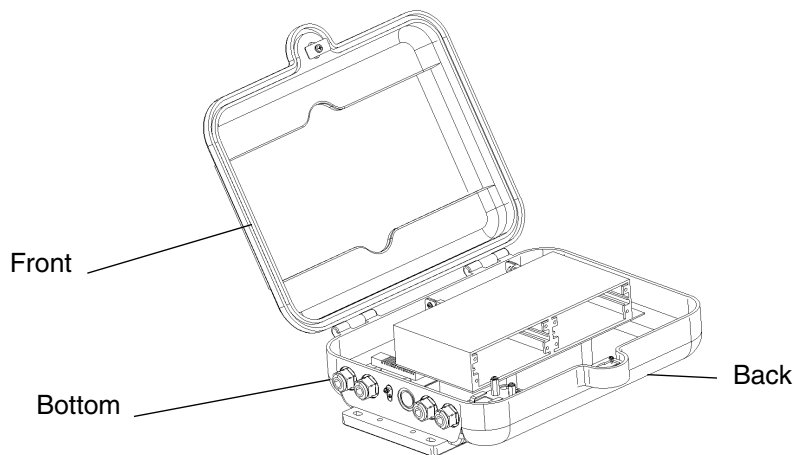
Number of Adapters: Max 32

Number of Splitters: Max 1 (N x 2, N x 4, N x 8, and N x 16,) and Max 1(N x 32)

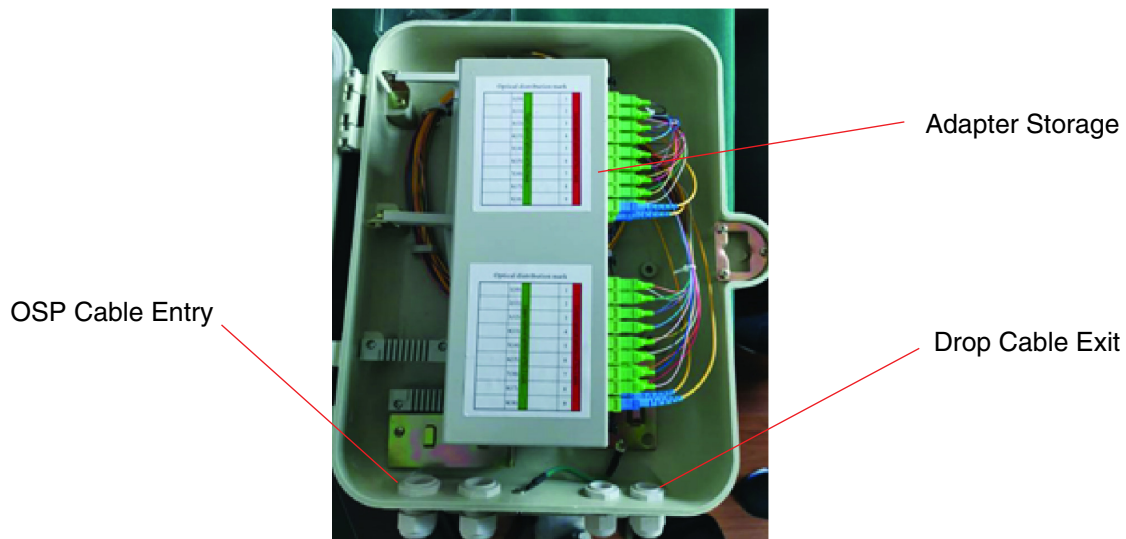
Single Fusion Capacity: Max 32

The fiber radius of curvature is over 40 mm.

Wall Mount



#### Product Structure and Cable Entry



## Enclosure Installation and drop cable attachment

1. Find the mounting screws and hardware included in the product packaging.
2. Drill holes as needed and use expansion hardware as needed. Use the mounting screws to fasten the enclosure to the wall.
3. Route the drop cables through the attachment hardware on the bottom right hand side of the base. Then route the drop cables around the base of the enclosure so that they enter onto the front of the flip tray.
4. Attach the connectorized end into the adapters. Match the adapter number with the appropriate cable number.

## Pigtail Installation

Pigtails with connectors on one end should have connectorized end attached to the adapter located in the adapter storage. The pigtail fiber ends will need to be routed to the splice storage panel and prepared for splicing.

## Splitter Installation

5. Splitters are available with connectorized or with bare fibers. If the splitter is connectorized, then attach the connectors to the adapter located in the adapter storage. from the breakout side first, one at a time.
6. Then attach the splitter on the rear of the flip tray.

## Outside Plant Cable Installation

7. The outside plant cable is routed into the bottom left hand corner of the base and attached inside the bracket at the base of the enclosure.
8. The cable is to be prepped with 38 inches of exposed unit tube that is routed in the base of the enclosure and routed to the fiber storage around the splice storage.
9. The unit tube that will be spliced is to be prepped by stripping to expose 18 inches of the fiber that will be spliced to the pigtail.
10. Once the fusion splice is completed cover with the splice sleeve, it should be installed in the splice storage, and then the fiber slack is routed around the fiber storage.