

FIGURE 1  
COILED CABLE ASSEMBLY

- NOTES:
- SEE CATALOG FOR COMPLETE LIST OF PARTS APPLICABLE FOR USE WITH THIS PART.
  - PRODUCT DESCRIPTION:  
SFP28 CABLE END-  
A. 1 LANE, 25Gbps  
B. STANDARD SFP CONNECTOR  
C. CL2 RATED JACKET  
QSFP28 CABLE END-  
A. 4 LANE, 25Gbps/LANE  
B. STANDARD QSFP CONNECTOR  
C. CL2 RATED JACKET
  - SFP28 CONNECTOR MATES WITH SFP SFF-8432 INTERFACE.
  - QSFP28 CONNECTOR MATES WITH QSFP SFF-8436 INTERFACE.
  - QSFP28 END CABLE LABEL CONTAINS PRODUCT DESCRIPTION, PART NUMBER, LENGTH, WIRE GAUGE AND MANUFACTURING SERIAL NUMBER. SFP28 ENDS WILL HAVE CABLE NUMBER LABEL.
  - 1 METER CABLES WILL HAVE 2 BLACK TAK-TY'S, 2 METER CABLES WILL HAVE 3 BLACK TAK-TY'S, 3 METER CABLES WILL HAVE 4 BLACK TAK-TY'S, 4 METER CABLES WILL HAVE 5 BLACK TAK-TY'S, AND 5 METER CABLES WILL HAVE 6 BLACK TAK-TY'S ALL EQUALLY SPACED.

QSFP28 TO 4X SFP28 BREAKOUT CABLE LENGTH SPECIFICATION, WIRE SIZE			
PANDUIT PART NUMBER	P/N CODE FOR LENGTH	LENGTH IN FEET	CABLE AWG
PHQ4SFP2A1MBL	1M	3.3 FT	30
PHQ4SFP2A2MBL	2M	6.6 FT	30
PHQ4SFP2A3MBL	3M	9.8 FT	30
PHQ4SFP2C4MBL	4M	13.1 FT	26
PHQ4SFP2C5MBL	5M	16.4 FT	26

PART NUMBER		SEE TABLE 1	
TITLE			
QSFP28 TO 4X SFP28 BREAKOUT CABLE			
CUSTOMER DRAWING			
ITEM REVISION NAME		03269UDB/03	
DATASET FILE NAME		03269UDB_DC/03A	
UNLESS OTHERWISE SPECIFIED, DIMENSIONAL TOLERANCES ARE: IN (mm)			
.x ± .xxx ± .010 (.3)			
.xx ± .03 (.8)		ANGLES ±	
DRAWING NUMBER:		03269UDB-DC	
DRAWN BY	DATE	CHK	SCALE
BJN	6-17-20	MATO	NONE
SHT 1 OF 2		A	

REV	DATE	BY	CHK	APR	DESCRIPTION	ECN
03A	4-13-23	BJN	MATO	KYLM	SFP28 ENDS HAVE STRAIGHT SPRING LATCHES	03269UDB-DC

D10100DA/14

THIS COPY IS PROVIDED ON A RESTRICTED BASIS AND IS NOT TO BE USED IN ANY WAY DETRIMENTAL TO THE INTERESTS OF PANDUIT CORP.

TABLE 2

QSFP28 PINOUT DIAGRAM

BOTTOM SIDE		TOP SIDE	
POS #	SIGNAL	POS #	SIGNAL
1	GND	20	GND
2	TX2-	21	RX2-
3	TX2+	22	RX2+
4	GND	23	GND
5	TX4-	24	RX4-
6	TX4+	25	RX4+
7	GND	26	GND
8	MODSELL	27	MODPRSL
9	RESETL	28	INTL
10	VCC RX	29	VCC TX
11	SCL	30	VCC1
12	SDA	31	LPMODE
13	GND	32	GND
14	RX3+	33	TX3+
15	RX3-	34	TX3-
16	GND	35	GND
17	RX1+	36	TX1+
18	RX1-	37	TX1-
19	GND	38	GND

TABLE 3

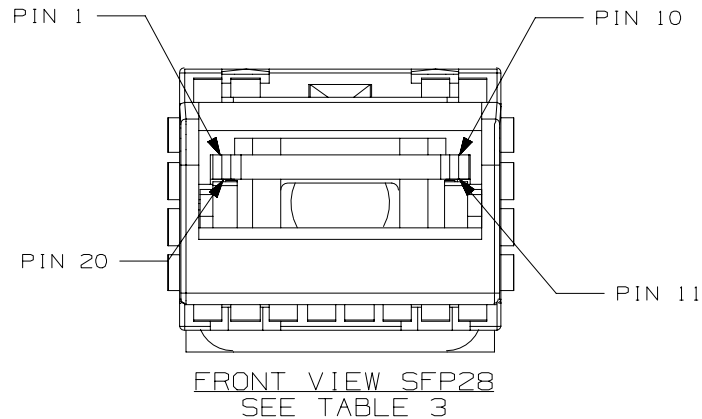
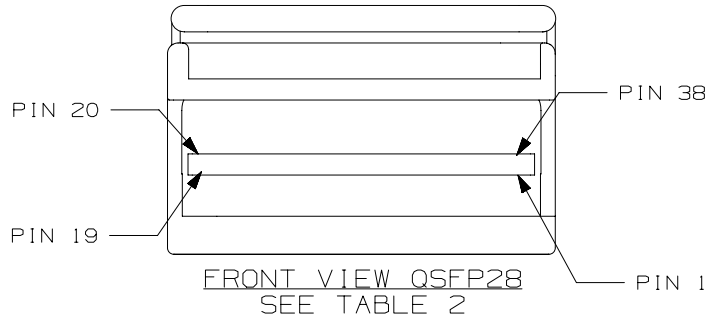
SFP28 PINOUT DIAGRAM

BOTTOM SIDE		TOP SIDE	
POS #	SIGNAL	POS #	SIGNAL
1	VEET*	11	VEER*
2	TX_FAULT**	12	RD-
3	TX_DISABLE**	13	RD+
4	SDA	14	VEER*
5	SCL	15	VCCR
6	MOD_ABS	16	VCCT
7	RS0	17	VEET*
8	RX_LOS**	18	TD+
9	RS1	19	TD-
10	VEER*	20	VEET*

\* VEE PINS CONNECT FIRST UPON PLUGGING IN.  
 \*\* TX\_FAULT, TX\_DISABLE, AND RX\_LOS ARE DEFINED IN SFF-8431, BUT ARE NOT USED IN PASSIVE DIRECT ATTACH COPPER CABLES.

FRONT VIEW QSFP28

FRONT VIEW SFP28



PART NUMBER

SEE TABLE 1

TITLE

QSFP28 TO 4X SFP28 BREAKOUT CABLE

CUSTOMER DRAWING

ITEM REVISION NAME

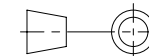
03269UDB/03

DATASET FILE NAME

03269UDB\_DC/03A

UNLESS OTHERWISE SPECIFIED,  
 DIMENSIONAL TOLERANCES ARE: IN (mm)

.x ± .xxx ± .010 (.3)  
 .xx ± .03 (.8) ANGLES ±



THIRD ANGLE PROJECTION

MATERIAL:

**PANDUIT**

DRAWING NUMBER:

03269UDB-DC

03A	4-13-23	BJN	MATO	KYLM	SEE SHEET 1 FOR REVISION HISTORY	03269UDB-DC
REV	DATE	BY	CHK	APR	DESCRIPTION	ECN

DRAWN BY	DATE	CHK	SCALE	SHT 2 OF 2	SIZE
BJN	6-17-20	MATO	NONE		A

D10100DA/14