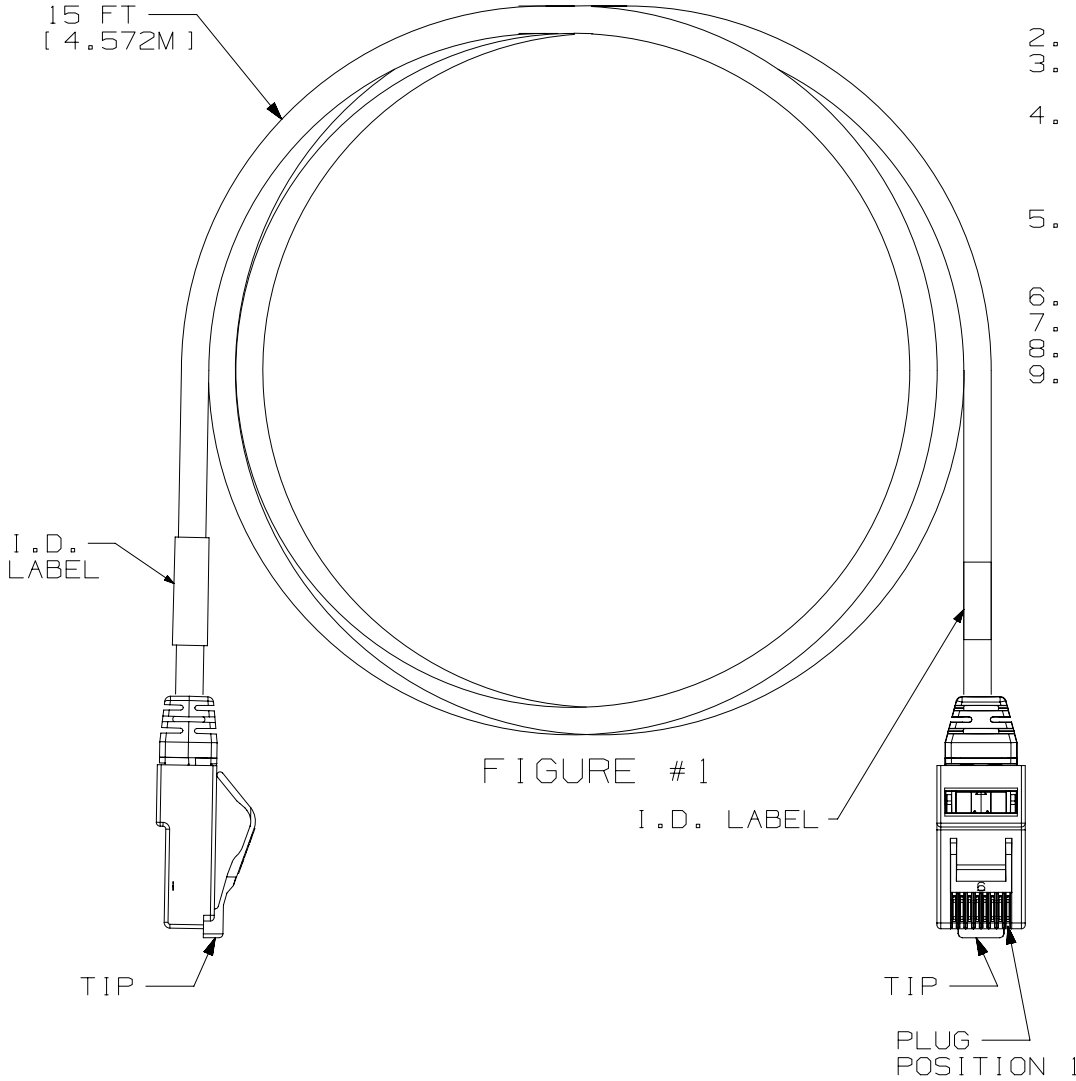
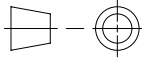


THIS COPY IS PROVIDED ON A RESTRICTED BASIS AND IS NOT TO BE USED IN ANY WAY DETRIMENTAL TO THE INTERESTS OF PANDUIT CORP.



NOTES:

1. VISIT OUR ON-LINE CATALOG AT WWW.PANDUIT.COM FOR A LIST OF CURRENT PARTS APPLICABLE FOR USE WITH THIS PRODUCT.
2. DIMENSIONS IN [] ARE METRIC.
3. TERMINATED WITH (8 POSITION) MODULAR PLUGS AT BOTH ENDS.
4. CONSTRUCTED WITH 28AWG STRANDED AND TINNED CONDUCTOR CATEGORY 6 UTP HALOGEN FREE (CM/LSZH) PATCH CABLE.
5. MATERIALS:
 PLUG: POLYCARBONATE
 CONTACTS: GOLD PLATED PHOSPHOR BRONZE
6. NOMINAL CABLE DIAMETER IS 0.150 IN (3.80MM).
7. CABLE JACKET COLOR: BLACK
8. WEIGHT: 5LB/25 PCS (2268g/25 PCS)
9. ALL MATERIALS AND COMPONENTS USED MUST MEET THE MATERIALS RESTRICTION OF RoHS, (EUROPEAN DIRECTIVE 2011/65/EU ON THE RESTRICTION OF HAZARDOUS SUBSTANCES AS PROPOSED BY THE RoHS TECHNICAL ADAPTATION COMMITTEE.

PART NUMBER		MA031		
TITLE		IPDU POWER SHARE PATCH CORD (RJ45 MALE TO RJ45 MALE)		
		CUSTOMER DRAWING		
ITEM REVISION NAME		00221EAM/00		
DATASET FILE NAME		00221EAM_DC02/00A		
		THIRD ANGLE PROJECTION		
MATERIAL		SEE NOTE 5		
		DRAWING NUMBER		
		00221EAM-02		
DRAWN BY	DATE	CHK	SCALE	SIZE
BJN	4-28-20	KDA	NONE	A
REV		DATE		BY
00A		4-28-20		BJN
APR		CHK		KDA
DIJ		APR		DIJ
DESCRIPTION		ECN		
RELEASED TO PRODUCTION		00221EAM-02		
SHEET 1 OF 1				

A-SIZE CUSTOMER

2

1

2

1