

2

1

PANDUIT P/N	WEIGHT
EE001	1.2kg

SPECIFICATION:

1. STANDARD MEASURING RANGE:

OPERATING RANGE:

OPERATIONAL VOLTAGE:

CURRENT DRAW:

SENSOR HOUSING MATERIAL:

SENSOR HOUSING COLOR:

INTERFACE PLUG:

INTERFACE PLUG HOUSING MATERIAL:

INTERFACE PLUG HOUSING COLOR:

DETECTS LIQUIDS WITH A RESISTANCE OF <2MOHMS PER CM

0-65°C, 10-90% RH, NON-CONDENSING [32-149°F, 10-90% RH NON-CONDENSING]

5 ±0.1 VOLTS DC

30 mA MAX

ABS, 10% GLASS-FILLED BLACK

RJ45 COMPLIANT

POLYCARBONATE

TRANSPARENT

2. ADDITIONAL:

NONE

3. ACCESSORY COMPONENTS:

INSTALLATION PAD, QTY:(1)

CABLE TIES, QTY:(5)

ADHESIVE BACKED MOUNT, QTY:(5)

INSTALLATION GUIDE, QTY:(1)

NOTES:

1. PRIMARY DIMENSIONS ARE IN MILLIMETERS. SECONDARY DIMENSION ARE IN INCHES

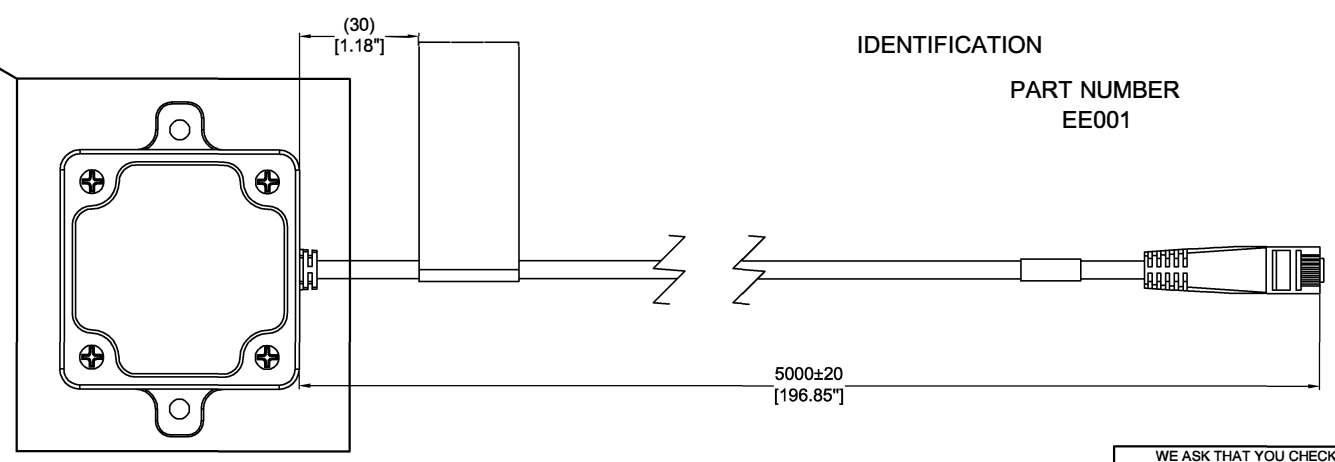
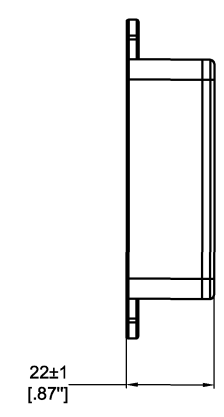
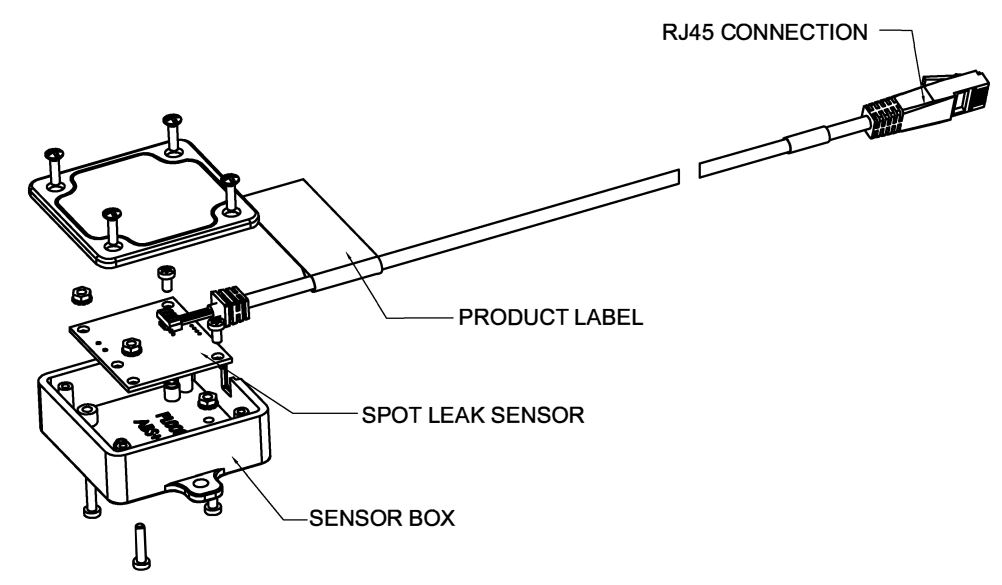
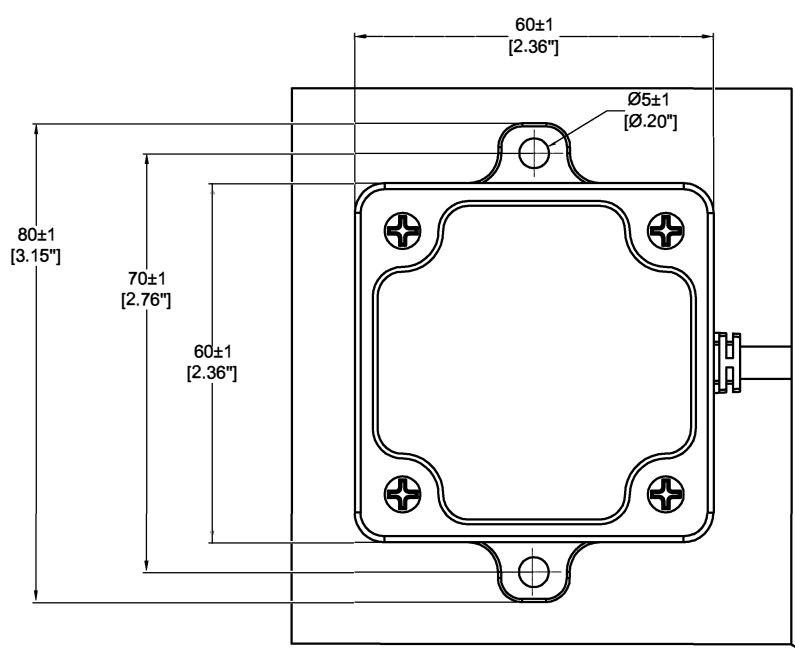
2. INSTALLATION SHALL COMPLY WITH ALL APPLICABLE NATIONAL, STATE, AND LOCAL CODES

3. VISIT OUR ON-LINE CATALOG AT WWW.PANDUIT.COM FOR A CURRENT LIST OF PRODUCTS APPLICABLE FOR USE WITH THIS PART

IDENTIFICATION

PART NUMBER EE001

DESCRIPTION SPOT FLUID LEAK SENSOR KIT



WE ASK THAT YOU CHECK FULLY THE DIMENSIONS, NOTES, AND SIGN THE CLIENT SIGNATURE BOX. THE JOB WILL NOT PROGRESS WITHOUT SIGNED APPROVAL. PLEASE DO NOT DELAY IN RETURNING PROOF AS IT WILL AFFECT DELIVERY	SIGN
	DATE
	PRINT

TITLE:	SMARTZONE G5 SPOT FLUID LEAK SENSOR KIT CUSTOMER DRAWING
ITEM REVISION NAME:	
DATASHEET FILE NAME:	



UNLESS OTHERWISE SPECIFIED DIMENSIONAL TOLERANCE ARE: mm [IN] Wire Harness Tolerance(mm)	MATERIAL/COLOR:
0<4<500 ±10 500<4<2000 ±20 2000<4<6000 ±50	N/A

00A	11/01/2017	Hanson	MM	DJB	INITIAL RELEASE	EE001
REV	DATE	BY	CHK	APR	DESCRIPTION	ECN

THIRD ANGLE PROJECTION	DRAWN BY: Hanson	DATE: 11/01/2017	CHK: MM	SCALE: NONE	DRAWING NUMBER: EE001_DC	SHT 1 OF 1	SCALE: B
------------------------	------------------	------------------	---------	-------------	--------------------------	------------	----------

2

1