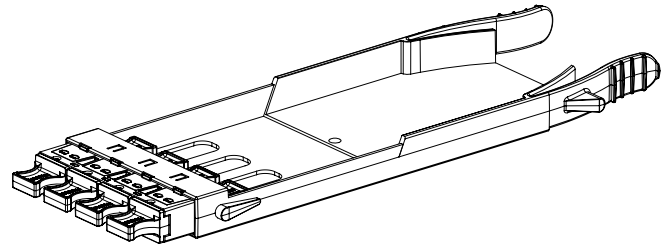
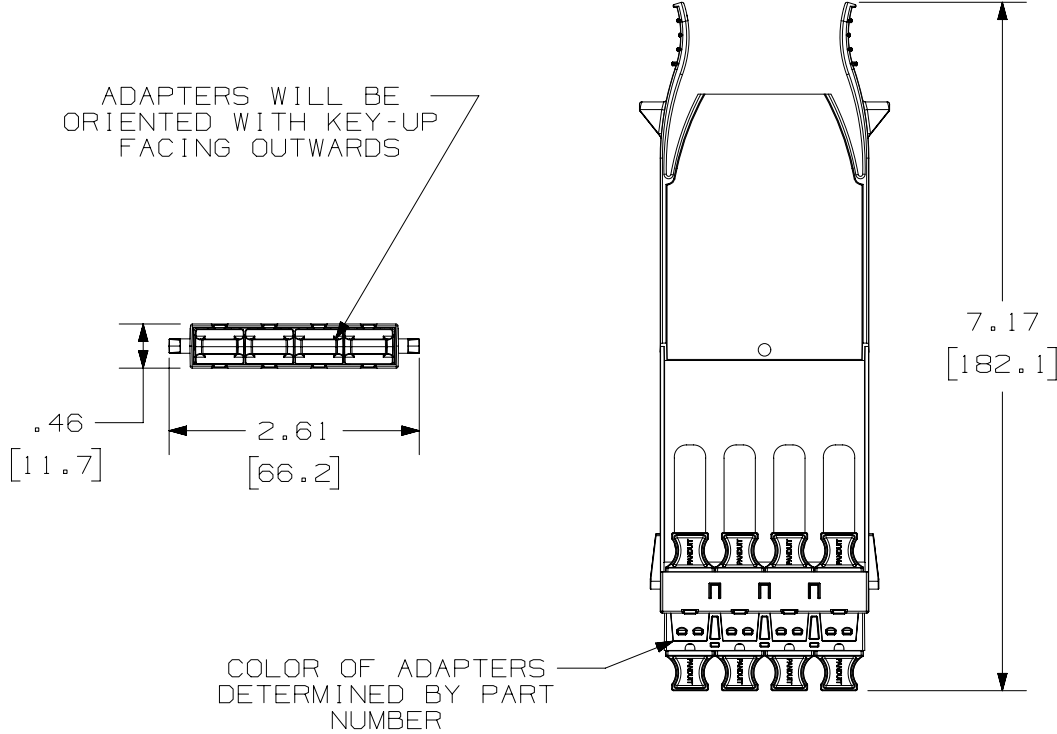


THIS COPY IS PROVIDED ON A RESTRICTED BASIS AND IS NOT TO BE USED IN ANY WAY DETRIMENTAL TO THE INTERESTS OF PANDUIT CORP.

NOTES:

1. VISIT OUR ON-LINE CATALOG AT WWW.PANDUIT.COM FOR A LIST OF CURRENT PARTS APPLICABLE FOR USE WITH THIS PRODUCT.
2. DIMENSIONS IN [] ARE METRIC.
3. ALL MATERIALS AND COMPONENTS USED MEET THE MATERIAL RESTRICTIONS OF RoHS (EUROPEAN DIRECTIVE 2011/65/EU ON THE RESTRICTION OF HAZARDOUS SUBSTANCES) AS PROPOSED BY THE RoHS TECHNICAL ADAPTATION COMMITTEE.



PART NUMBER	PART DESCRIPTION
FHMP-4-ABL	HD Flex MPO FAP, 4 Port Ganged MPO Type A Adapter (Key-up to Key-down) Black, Non Offset Key
FHMP-4-BCG	HD Flex MPO FAP, 4 Port Ganged MPO Type B Adapter (Key-up to Key-Up) Charcoal Gray, Non Offset Key
FHMP-4-ARD	HD Flex MPO FAP, 4 Port Ganged MPO Type A Adapter (Key-up to Key-down) Red, Non Offset Key

PART NUMBER		SEE TABLE 1	
TITLE			
HD FLEX 4-PORT MPO FIBER ADAPTER PANEL (FAP)		CUSTOMER DRAWING	
ITEM REVISION NAME		00055EAF/01	
DATASET FILE NAME		00055EAF_DC/01A	
		THIRD ANGLE PROJECTION	
MATERIAL		PC	
DRAWING NUMBER		00055EAF - DC	
DRAWN BY	DATE	CHK	SCALE
JSP	5/3/2021	BJBE	NONE
SHEET 1 OF 1			A

REV	DATE	BY	CHK	APR	DESCRIPTION	ECN
01A	05-04-21	SAT	BJBE	EJH	INITIAL RELEASE	00055EAF-DC

A-SIZE CUSTOMER

2

1

2

1